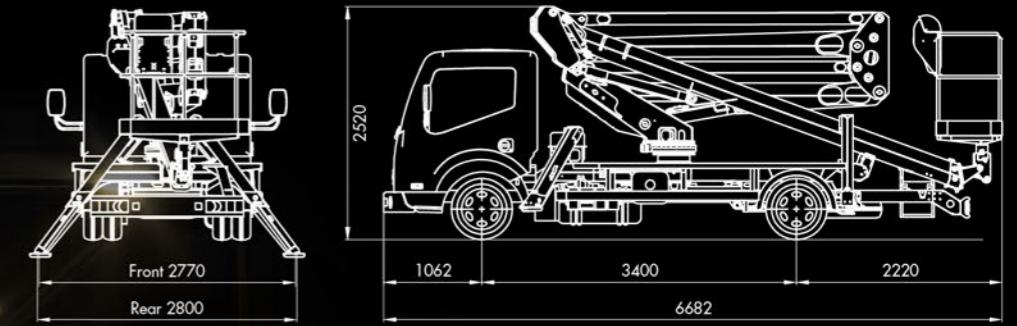


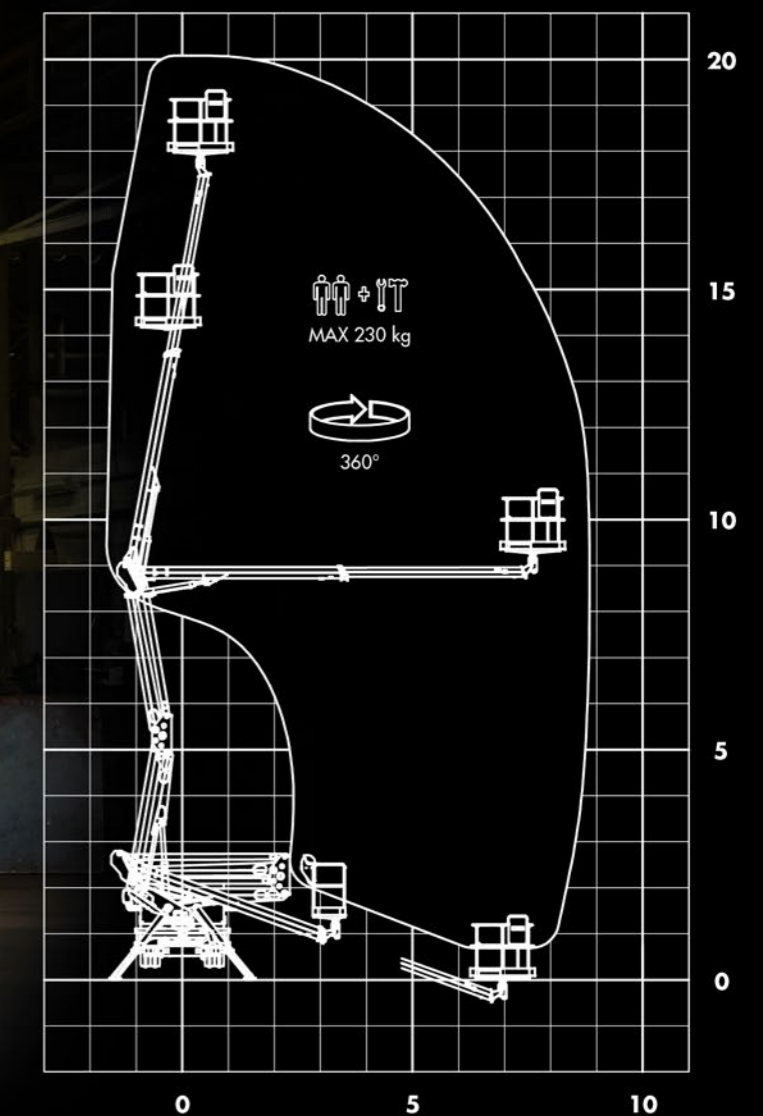
PNT 205N

Truck-mounted aerial lift work platform
 Piattaforma per lavoro aereo autocarrata

Overall dimensions (millimeters)



Working diagram (meters)



Specifications

- 
230 kg
- 
9,10 m
- 
20 m
- 
18 m
- 
1400 x 710 x 1100 mm
- 
+ / - 90°
- 
A + A
- 
Electro - hydraulic
- 
Aluminium
- 
550°