



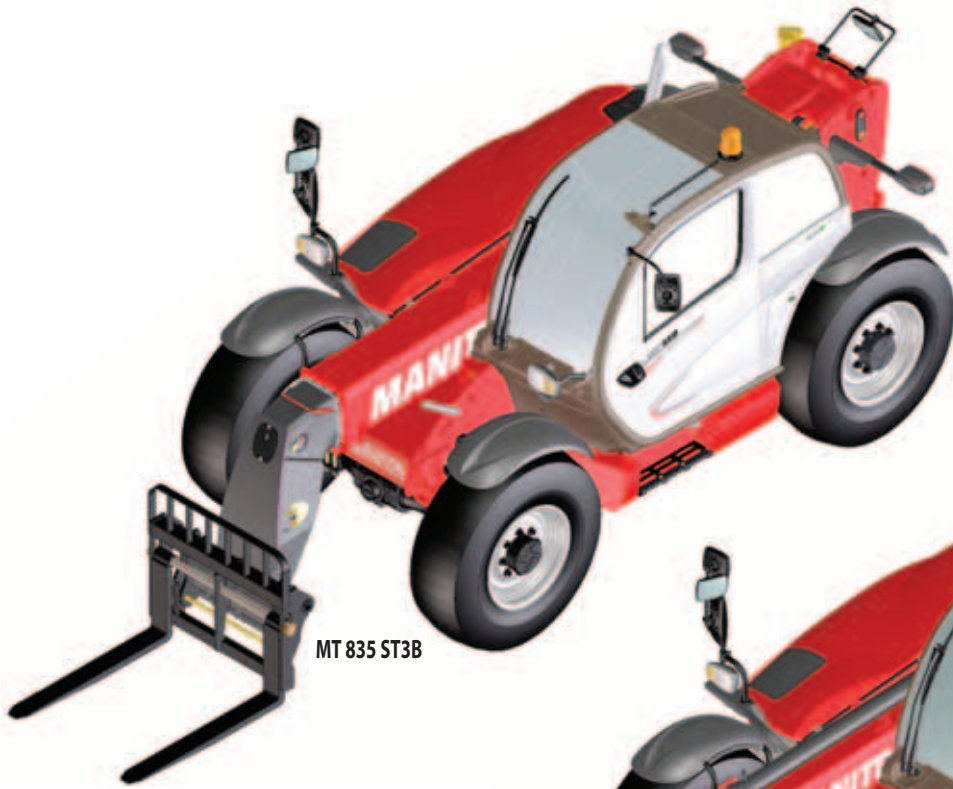
MANITOU BF
BP 10249
44158 ANCENIS CEDEX - FRANCE
TEL: + 33 (0)2 40 09 10 11

YOUR DEALER

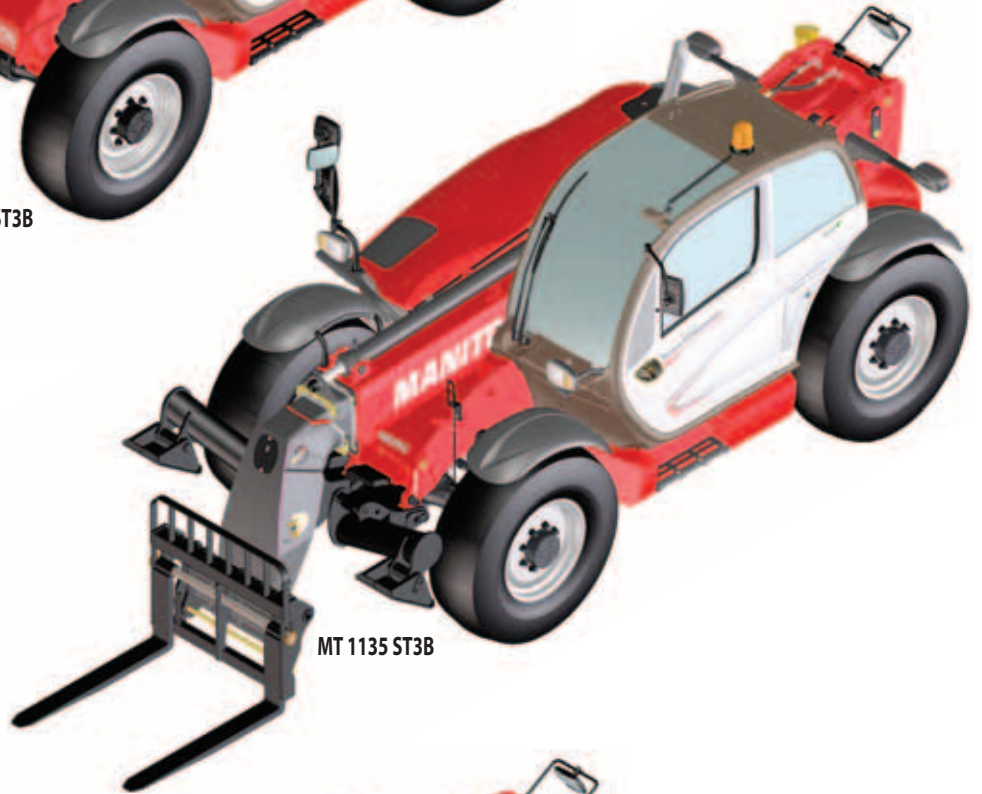
647104 EN (16/09/2013)

MT 835 ST3B
MT 1135 ST3B
MT 1335 ST3B

OPERATOR'S MANUAL
(ORIGINAL INSTRUCTIONS)



MT 835 ST3B



MT 1135 ST3B



MT 1335 ST3B

IMPORTANT

Carefully read and understand this instruction manual before using the lift truck.

*It contains all information relating to operation, handling and lift truck equipment,
as well as important recommendations to be followed.*

*This document also contains precautions for use, as well as information on the servicing and routine maintenance required
to ensure the lift truck's continued safety of use and reliability.*

WHENEVER YOU SEE THIS SYMBOL IT MEANS:



WARNING ! BE CAREFUL ! YOUR SAFETY OR THE SAFETY OF THE LIFT TRUCK IS AT RISK.

- This manual has been produced on the basis of the equipment list and the technical characteristics given at the time of its design.
- The level of equipment of the lift truck depends on the options chosen and the country of sale.
- According to the lift truck options and the date of sale, certain items of equipment/functions described herein may not be available.
- Descriptions and figures are non binding.
- MANITOU reserves the right to change its models and their equipment without being required to update this manual.
- The MANITOU network, consisting exclusively of qualified professionals, is at your disposal to answer all your questions.
- This manual is an integral part of the lift truck.
- It is to be kept in its storage space at all times for ease of reference.
- Hand this manual to the new owner if the lift truck is resold.

21/05/2012	1re DATE D'ÉDITION
22/02/2013	UP DATING ADDING: MT 835 ST3B MT 1135 ST3B
24/06/2013	UP DATING: 1-9 2-8 ; 2-41 ; 2-48 ; 2-50
16/09/2013	UP DATING: 2-6 ; 2-8 ; 2-12 ; 2-13 ; 2-15 ; 2-17 ; 2-47 ; 2-70 ; 2-71 3-10

1 - OPERATING AND SAFETY INSTRUCTIONS

2 - DESCRIPTION

3 - MAINTENANCE

4 - OPTIONAL ATTACHMENTS FOR USE WITH THE RANGE

1 - OPERATING AND SAFETY INSTRUCTIONS

TABLE OF CONTENTS

1 - OPERATING AND SAFETY INSTRUCTIONS

INSTRUCTIONS TO THE COMPANY MANAGER	4
THE SITE	4
THE OPERATOR	4
THE LIFT TRUCK	4
A - THE TRUCK'S SUITABILITY FOR THE JOB	4
B - ADAPTATION OF THE LIFT TRUCK TO STANDARD ENVIRONMENTAL CONDITIONS	4
C - MODIFICATION OF THE LIFT TRUCK	5
D - FRENCH ROAD TRAFFIC RULES.	5
E - LIFT TRUCK CAB PROTECTION.	5
THE INSTRUCTIONS	5
THE MAINTENANCE	5
INSTRUCTIONS FOR THE OPERATOR	6
PREAMBLE	6
GENERAL INSTRUCTIONS	6
A - OPERATOR'S MANUAL	6
B - AUTHORISATION FOR USE IN FRANCE	6
C - MAINTENANCE	6
D - MODIFICATION OF THE LIFT TRUCK	6
E - LIFTING PEOPLE	7
OPERATING INSTRUCTIONS UNLADEN AND LADEN	7
A - BEFORE STARTING THE LIFT TRUCK	7
B - DRIVER'S OPERATING INSTRUCTIONS	7
C - ENVIRONMENT	7
D - VISIBILITY	8
E - STARTING THE LIFT TRUCK.	9
F - DRIVING THE LIFT TRUCK.	9
G - STOPPING THE LIFT TRUCK	10
H - DRIVING THE LIFT TRUCK ON THE PUBLIC HIGHWAY	11
INSTRUCTIONS FOR HANDLING A LOAD	12
A - CHOICE OF ATTACHMENTS	12
B - MASS OF LOAD AND CENTRE OF GRAVITY.	12
C - LONGITUDINAL STABILITY LIMITER AND WARNING DEVICE.	12
D - TRANSVERSE ATTITUDE OF THE LIFT TRUCK.	13
E - TAKING UP A LOAD ON THE GROUND.	13
F - TAKING UP AND LAYING A HIGH LOAD ON TYRES	14
G - TAKING UP AND LAYING A HIGH LOAD ON STABILIZERS.	16
H - TAKING UP AND LAYING DOWN A SUSPENDED LOAD	18
I - TRAVELLING WITH A SUSPENDED LOAD.	18
PLATFORM OPERATING INSTRUCTIONS	19
A - AUTHORISATION FOR USE.	19
B - LIFT TRUCK SUITABILITY FOR USE	19
C - PRECAUTIONS WHEN USING THE PLATFORM	19
D - USING THE PLATFORM	19
E - ENVIRONMENT	19
F - MAINTENANCE	20
INSTRUCTIONS FOR USING THE RADIO-CONTROL	21
HOW TO USE THE RADIO-CONTROL	21
PROTECTIVE DEVICES	21
LIFT TRUCK MAINTENANCE INSTRUCTIONS	22

GENERAL INSTRUCTIONS	22
PLACING THE JIB SAFETY WEDGE	22
FITTING THE WEDGE	22
REMOVING THE WEDGE	22
MAINTENANCE	22
MAINTENANCE LOGBOOK	22
LUBRICANT AND FUEL LEVELS	23
HYDRAULIC	23
ELECTRICITY	23
WELDING	23
WASHING THE LIFT TRUCK	23
TRANSPORTING THE LIFT TRUCK	23
<i>IF THE LIFT TRUCK IS NOT TO BE USED FOR A LONG TIME</i>	24
<hr/>	
INTRODUCTION	24
PREPARING THE LIFT TRUCK	24
PROTECTING THE ENGINE	24
PROTECTING THE LIFT TRUCK	24
BRINGING THE LIFT TRUCK BACK INTO SERVICE	25
<i>LIFT TRUCK DISPOSAL</i>	26
<hr/>	
RECYCLING OF MATERIALS	26
METALS	26
PLASTICS	26
RUBBER	26
GLASS	26
ENVIRONMENTAL PROTECTION	26
WORN OR DAMAGED PARTS	26
USED OIL	26
USED BATTERIES	26

INSTRUCTIONS TO THE COMPANY MANAGER

THE SITE

Proper management of lift truck's area of travel will reduce the risk of accidents:

- ground not unnecessarily uneven or obstructed,
- no excessive slopes,
- pedestrian traffic controlled, etc.

THE OPERATOR

- Only qualified, authorized personnel can use the lift truck. This authorization is given in writing by the appropriate person in the establishment with respect to the use of lift trucks and must be carried permanently by the operator.

⚠ IMPORTANT ⚠

Experience has shown that there are a number of inappropriate ways in which the lift truck might be used. Such foreseeable misuse, of which the main examples are listed below, are strictly forbidden.

- *The foreseeable abnormal behaviour resulting from ordinary negligence, but which does not result from any wish to put the machinery to any improper use.*
 - *The reflex reactions of a person in the event of a malfunction, incident, fault, etc. during operation of the lift truck.*
 - *Behaviour resulting from application of the "principle of least effort" when performing a task.*
- *For certain machines, the foreseeable behaviour of such persons as: apprentices, teenagers, handicapped persons, trainees tempted to drive a lift truck, operators tempted to operate a truck for the purposes of a bet, a competition or for their own personal experience.*
The person in charge of the equipment must take these criteria into account when assessing the suitability of a person to drive.

THE LIFT TRUCK

A - THE TRUCK'S SUITABILITY FOR THE JOB

- MANITOU has ensured that this lift truck is suitable for use under the standard operating conditions defined in this operator's manual, with a **STATIC** test coefficient **OF 1,33** and a **DYNAMIC** test coefficient **OF 1**, as specified in harmonised standard **EN 1459** for variable range trucks.
- Before commissioning, the company manager must make sure that the lift truck is appropriate for the work to be done, and perform certain tests (in accordance with current legislation).

B - ADAPTATION OF THE LIFT TRUCK TO STANDARD ENVIRONMENTAL CONDITIONS

- In addition to series equipment mounted on your lift truck, many options are available, such as: road lighting, stop lights, revolving light, reverse lights, reverse buzzer alarm, front light, rear light, light at the jib head, etc. (according to the lift truck model).
- The operator must take into account the operating conditions to define the lift truck's signalling and lighting equipment. Contact your dealer.
- Take into account climatic and atmospheric conditions of the site of utilisation.
 - Protection against frost (see: 3 - MAINTENANCE: LUBRICANTS AND FUEL).
 - Adaptation of lubricants (ask your dealer for information).
 - Engine filtration (see: 3 - MAINTENANCE: FILTERS CARTRIDGES AND BELTS).

⚠ IMPORTANT ⚠

For operation under average climatic conditions, i.e.: between -15 °C and +35 °C, correct levels of lubricants in all the circuits are checked in production.
For operation under more severe climatic conditions, before starting up, it is necessary to drain all the circuits, then ensure correct levels of lubricants using lubricants properly suited to the relevant ambient temperatures.

The same applies to the cooling liquid.

- A lift truck operating in an area without fire extinguishing equipment must be equipped with an individual extinguisher. There are solutions, consult your dealer.

⚠ IMPORTANT ⚠

Your lift truck is designed for outdoor use under normal atmospheric conditions and indoor use in suitably aerated and ventilated premises.
It is prohibited to use the lift truck in areas where there is a risk of fire or which are potentially explosive (e.g. Refineries, fuel or gas depots, stores of flammable products, etc.).
For use in these areas, specific equipment is available (ask your dealer for information).

- Our trucks comply with Directive 2004/108/EC concerning electromagnetic compatibility (EMC), and with the corresponding harmonized standard EN 12895. Their proper operation is no longer guaranteed if they are used within areas in which the electromagnetic fields exceed the limit specified by that standard (10 V/m).
- Directive 2002/44/EC requires company managers to not expose their employees to excessive vibration doses. There is no recognized code of measurement for comparing the machines of different manufacturers. The actual doses received cannot therefore be measured under actual operating conditions at the user's premises.
- The following are some tips for minimizing these vibration doses:
 - Select the most suitable lift truck and attachment for the intended use.

- Adapt the seat adjustment to the operator's weight (according to lift truck model) and maintain it in good condition, as well as the cab suspension. Inflate the tires in accordance with recommendations.
- Ensure that the operators adapt their operating speed to suit the conditions on site.
- As far as possible, arrange the site in such a way as to provide a flat running surface and remove obstacles and harmful potholes.

C - MODIFICATION OF THE LIFT TRUCK

- For your safety and that of others, you must not change the structure and settings of the various components used in your lift truck (hydraulic pressure, calibrating limiters, engine speed, addition of extra equipment, addition of counterweight, unapproved attachments, alarm systems, etc.) yourself. In this event, the manufacturer cannot be held responsible.

D - FRENCH ROAD TRAFFIC RULES

(or see current legislation in other countries)

- Only one certificate of conformity is issued. It must be kept in a safe place.
- The driving of non EC type-approved tractors on the public highway is subject to the provisions of the highway code relating to special machines, defined in article R311-1 of the highway code, in category B of the Equipment Order of 20 November 1969 that determines the procedures applicable to special machines. The lift truck must be fitted with a licence plate.
- The driving of EC type-approved tractors on the public highway is subject to the provisions of the highway code regarding agricultural tractors, defined in article R311-1 of the highway code. The lift truck must be registered.

SPECIAL INSTRUCTION APPLYING TO "EC TRACTOR" TYPE-APPROVED LIFT TRUCKS

- All EC tractor type-approved lift trucks are supplied with an "EC tractor" certificate complying with directive 2003/37/EC, to be retained by the owner, and a page of administrative details together with a CNIT number (national type approval code) for registration at the prefecture.
- The lift truck owner is responsible for carrying out the necessary procedures for obtaining the vehicle registration document within the time limit defined by the regulations.
- The operator must hold an HGV licence, unless granted an exemption.
- The lift truck must be driven on the public highway in accordance with the instructions given in the manual supplied with the lift truck (Gross weight, Gross combination weight, towing load, axle loads, maximum speeds, etc. according to type/version). The operator must be in possession of the lift truck's registration document.

⚠ IMPORTANT ⚠

*When towing a trailer or agricultural equipment, the travelling speed of the lift truck is limited to 25 km/h.
In this case, a "25" disc must be affixed to the rear of the convoy.*

E - LIFT TRUCK CAB PROTECTION

- All lift trucks comply with the requirements of ISO 3471 (wheel loader code) regarding cab rollover protection (ROPS) and ISO 3449 (Level II) regarding the protection of the cab against falling objects (FOPS).
- "EC TRACTOR" type-approved lift trucks comply, in addition, with Directive 79/622/EC (OECD Code 4) regarding cab rollover protection (ROPS).

⚠ IMPORTANT ⚠

*Structural damage or overturning, a modification, changes or a poorly executed repair can reduce the protective efficiency of the cab, cancelling its compliance.
Do not perform welding or drilling on the cab structure.
Consult your dealer to determine the limits of this structure without cancelling its compliance.*

THE INSTRUCTIONS

- The operator's manual must always be in good condition and kept in the place provided on the lift truck and in the language used by the operator.
- The operator's manual and any plates or stickers which are no longer legible or are damaged, must be replaced immediately.

THE MAINTENANCE

- Maintenance or repairs other than those detailed in part: 3 - MAINTENANCE must be carried out by qualified personnel (consult your dealer) and under the necessary safety conditions to maintain the health of the operator and any third party.

⚠ IMPORTANT ⚠

*Your lift truck must be inspected periodically to ensure that it remains in compliance.
The frequency of this inspection is defined by current legislation in the country in which the lift truck is used.*

- Example for France "The manager in charge of the establishment using a lift truck must open and maintain a maintenance log for each machine (order of 2 March 2004) and undergo a general periodic inspection every 6 months (order of 1 March 2004)".

INSTRUCTIONS FOR THE OPERATOR

PREAMBLE

⚠ IMPORTANT ⚠

The risk of accident while using, servicing or repairing your lift truck can be restricted if you follow the safety instructions and safety measures detailed in these instruction. Failure to respect the safety and operating instructions, or the instructions for repairing or servicing your lift truck may lead to serious, even fatal accident.

- Only the operations and manoeuvres described in these operator's manual must be performed. The manufacturer cannot predict all possible risky situations. Consequently, the safety instructions given in the operator's manual and on the lift truck itself are not exhaustive.
- At any time, as an operator, you must envisage, within reason, the possible risk to yourself, to others or to the lift truck itself when you use it.

⚠ IMPORTANT ⚠

In order to reduce or avoid any danger with a MANITOU-approved attachment, follow the instructions of paragraph: 4 - ADAPTABLE ATTACHMENTS IN OPTION ON THE RANGE: INTRODUCTION.

GENERAL INSTRUCTIONS

A - OPERATOR'S MANUAL

- Read the operator's manual carefully.
- The operator's manual must always be in good condition and in the place provided for it on the lift truck.
- You must report any plates and stickers which are no longer legible or which are damaged.

B - AUTHORISATION FOR USE IN FRANCE

(or see current legislation in other countries).

- Only qualified, authorized personnel can use the lift truck. This authorization is given in writing by the appropriate person in the establishment with respect to the use of lift trucks and must be carried permanently by the operator.
- The operator is not competent to authorise the driving of the lift truck by another person.

C - MAINTENANCE

- The operator must immediately advise his superior if his lift truck is not in good working order or does not comply with the safety notice.
- The operator is prohibited from carrying out any repairs or adjustments himself, unless he has been trained for this purpose. He must keep the lift truck properly cleaned if this is among his responsibilities.
- The operator must carry out daily maintenance (see: 3 - MAINTENANCE: A - DAILY OR EVERY 10 HOURS SERVICE).
- The operator must ensure tyres are adapted to the nature of the ground (see area of the contact surface of the tyres in the chapter: 2 - DESCRIPTION: FRONT AND REAR TYRES). There are optional solutions, consult your dealer.
 - SAND tyres.
 - LAND tyres.
 - Snow chains.

⚠ IMPORTANT ⚠

Do not use the lift truck if the tyres are incorrectly inflated, damaged or excessively worn, because this could put your own safety or that of others at risk, or cause damage to the lift truck itself.

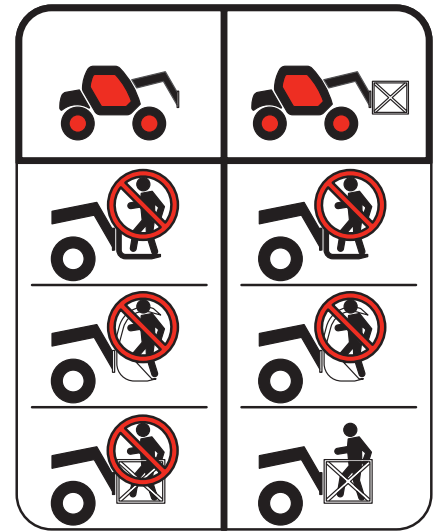
The fitting of foam inflated tyres is prohibited and is not guaranteed by the manufacturer, excepting prior authorisation.

D - MODIFICATION OF THE LIFT TRUCK

- For your safety and that of others, you must not change the structure and settings of the various components used in your lift truck (hydraulic pressure, calibrating limiters, engine speed, addition of extra equipment, addition of counterweight, unapproved attachments, alarm systems, etc.) yourself. In this event, the manufacturer cannot be held responsible.

E - LIFTING PEOPLE

- The use of working equipment and load lifting attachments to lift people is:
 - either forbidden
 - or authorized exceptionally and under certain conditions (see current regulations in the country in which the lift truck is used).
- The pictogram posted at the operator station reminds you that:
Left-hand column
 - It is forbidden to lift people, with any kind of attachment, using a non PLATFORM-fitted lift truck.Right-hand column
 - With a PLATFORM-fitted lift truck, people can only be lifted using platforms designed by MANITOU for the purpose.
- MANITOU sells equipment specifically designed for lifting people (OPTION PLATFORM lift truck, contact your dealer).



OPERATING INSTRUCTIONS UNLADEN AND LADEN

A - BEFORE STARTING THE LIFT TRUCK

- Perform the daily service (see: 3 - MAINTENANCE: A - DAILY OR EVERY 10 HOURS SERVICE).
- Make sure the lights, indicators and windscreen wipers are working properly.
- Make sure the rear view mirrors are in good condition, clean and properly adjusted.
- Make sure the horn works.

B - DRIVER'S OPERATING INSTRUCTIONS

- Whatever his experience, the operator is advised to familiarize himself with the position and operation of all the controls and instruments before operating the lift truck.
- Wear clothes suited for driving the lift truck, avoid loose clothes.
- Make sure you have the appropriate protective equipment for the job to be done.
- Prolonged exposure to high noise levels may cause hearing problems. It is recommended to wear ear muffs to protect against excessive noise.
- Always face the lift truck when getting into and leaving the driving seat and use the handle(s) provided for this purpose. Do not jump out of the seat to get down.
- Always pay attention when using the lift truck. Do not listen to the radio or music using headphones or earphones.
- Never operate the lift truck when hands or feet are wet or soiled with greasy substances.
- For increased comfort, adjust the seat to your requirements and adopt the correct position in the driver's cab.



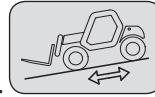
Under no circumstances must the seat be adjusted while the lift truck is moving.

- The operator must always be in his normal position in the driver's cab. It is prohibited to have arms or legs, or generally any part of the body, protruding from the driver's cab of the lift truck.
- The safety belt must be worn and adjusted to the operator's size.
- The control units must never in any event be used for any other than their intended purposes (e.g. climbing onto or down from the lift truck, portmanteau, etc.).
- If the control components are fitted with a forced operation (lever lock) device, it is forbidden to leave the cab without first putting these controls in neutral.
- It is prohibited to carry passengers either on the lift truck or in the cab.

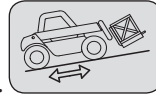
C - ENVIRONMENT

- Comply with site safety regulations.
- If you have to use the lift truck in a dark area or at night, make sure it is equipped with working lights.
- During handling operations, make sure that no one is in the way of the lift truck and its load.
- Do not allow anybody to come near the working area of the lift truck or pass beneath an elevated load.
- When using the lift truck on a transverse slope, before lifting the boom, follow the instructions given in the paragraph: INSTRUCTIONS FOR HANDLING A LOAD: D - TRANSVERSE ATTITUDE OF THE LIFT TRUCK.

- Travelling on a longitudinal slope:
 - Drive and brake gently.



- Moving without load: Forks or attachment facing downhill.



- Moving with load: Forks or attachment facing uphill.

- Take into account the lift truck's dimensions and its load before trying to negotiate a narrow or low passageway.
- Never move onto a loading platform without having first checked:
 - That it is suitably positioned and made fast.
 - That the unit to which it is connected (wagon, lorry, etc.) will not shift.
 - That this platform is prescribed for the total weight of the lift truck to be loaded.
 - That this platform is prescribed for the size of the lift truck.
- Never move onto a foot bridge, floor or freight lift, without being certain that they are prescribed for the weight and size of the lift truck to be loaded and without having checked that they are in sound working order.
- Be careful in the area of loading bays, trenches, scaffolding, soft ground and manholes.
- Make sure the ground is stable and firm under the wheels and/or stabilizers before lifting or removing the load. If necessary, add sufficient wedging under the stabilizers.
- Make sure that the scaffolding, loading platform, pilings or ground is capable of bearing the load.
- Never stack loads on uneven ground, they may tip over.

⚠ IMPORTANT ⚠

If the load or the attachment must remain above a structure for a prolonged period of time, there is the risk that it will bear on the structure as the boom descends due to cooling of the oil in the cylinders.

To eliminate this risk:

- Regularly check the distance between the load or the attachment and the structure and readjust this if necessary.

- If possible use the lift truck at an oil temperature as close as possible to ambient temperature.

- When working near aerial lines, ensure that the safety distance is sufficient between the working area of the lift truck and the aerial line.

⚠ IMPORTANT ⚠

You must consult your local electrical agency.

You could be electrocuted or seriously injured if you operate or park the lift truck too close to power cables.

In the event of high winds, do not carry out handling work that jeopardises the stability of the lift truck and its load, particularly if the load catches the wind badly.

D - VISIBILITY

- The safety of people within the lift truck's working area, as well as that of the lift truck itself and the operator are depend on good operator visibility of the lift truck's immediate vicinity in all situations and at all times.
- This lift truck has been designed to allow good operator visibility (direct or indirect by means of rear-view mirrors) of the immediate vicinity of the lift truck while travelling with no load and with the boom in the transport position.
- Special precautions must be taken if the size of the load restricts visibility towards the front:
 - moving in reverse,
 - site layout,
 - assisted by a person directing the manoeuvre (while standing outside the truck's area of travel), making sure to keep this person clearly in view at all times,
 - in any case, avoid reversing over long distances.
- Certain special accessories may require the truck to travel with the boom in the raised position. In such cases, visibility on the right hand side is restricted, and special precautions must be taken:
 - site layout,
 - assisted by a person directing the manoeuvre (while standing outside the truck's area of travel).
 - replacement of a suspended load by a load on a pallet.
- If visibility of your road is inadequate, ask someone to assist by directing the manoeuvre (while standing outside the truck's area of travel), making sure to keep this person clearly in view at all times.
- Keep all components affecting visibility in a clean, properly adjusted state and in good working order (e.g. windscreens, windows, windscreen wipers, windscreen washers, driving and work lights, rear-view mirrors).

E - STARTING THE LIFT TRUCK

SAFETY INSTRUCTIONS

⚠ IMPORTANT ⚠

The lift truck must only be started up or manoeuvred when the operator is sitting in the driver's cab, with his seat belt adjusted and fastened.

- Never try to start the lift truck by pushing or towing it. Such operation may cause severe damage to the transmission. If necessary, to tow the lift truck in an emergency, the transmission must be placed in the neutral position (see: 3 - MAINTENANCE: G - OCCASIONAL MAINTENANCE).
- If using an emergency battery for start-up, use a battery with the same characteristics and respect battery polarity when connecting it. Connect at first the positive terminals before the negative terminals.

⚠ IMPORTANT ⚠

Failure to respect polarity between batteries can cause serious damage to the electrical circuit.

The electrolyte in the battery may produce an explosive gas. Avoid flames and generation of sparks close to the batteries.

Never disconnect a battery while it is charging.

INSTRUCTIONS

- Check the closing and locking of the hood(s).
- Check that the cab door is closed.
- Check that the forward/reverse selector is in neutral, and that the parking brake is applied.
- Press on the service brake pedal and maintain it down.
- Turn the ignition key to the position I to activate the electrical and pre-heating system.
- Whenever you switch on the lift truck, perform the automatic check on the longitudinal stability limiter and warning device (see: 2 - DESCRIPTION: INSTRUMENTS AND CONTROLS). Do not use the lift truck if it does not conform to the regulations.
- Check the fuel level on the indicator.
- Turn the ignition key fully, the engine should then start. Release the ignition key and let the engine run at idle.
- Do not engage the starter motor for more than 15 seconds and carry out the preheating between unsuccessful attempts.
- Make sure all the signal lights on the control instrument panel are off.
- Check all control instruments when the engine is warm and at regular intervals during use, so as to quickly detect any faults and to be able to correct them without any delay.
- If an instrument does not show the correct display, stop the engine and immediately carry out the necessary operations.

F - DRIVING THE LIFT TRUCK

SAFETY INSTRUCTIONS

⚠ IMPORTANT ⚠

The operators' attention is drawn to the risks involved in using the lift truck, in particular:

- Risk of losing control.

- Risk of losing lateral and frontal stability of the lift truck.

The operator must remain in control of the lift truck.

In the event of the lift truck overturning, do not try to leave the cabin during the incident.

YOUR BEST PROTECTION IS TO STAY FASTENED IN THE CABIN.

- Observe the company's traffic regulations or, by default, the public highway code.
- Do not carry out operations which exceed the capacities of your lift truck or attachments.
- Always drive the lift truck with the forks or attachment to the transport position, i.e. at 300 mm from the ground, the boom retracted and the carriage sloping backwards.
- Only carry loads which are balanced and properly anchored to avoid any risk of a load falling off.
- Ensure that palettes, cases, etc, are in good order and suitable for the load to be lifted.
- Familiarise yourself with the lift truck on the terrain where it will be used.
- Ensure that the service brakes are working properly.
- The loaded lift truck must not travel at speeds in excess of 12 km/h.
- Drive smoothly at an appropriate speed for the operating conditions (land configuration, load on the lift truck).
- Do not use the hydraulic boom controls when the lift truck is moving.
- Never change the steering mode whilst driving.
- Do not manoeuvre the lift truck with the boom in the raised position unless under exceptional circumstances and then with extreme caution, at very low speed and using gentle braking. Ensure that visibility is adequate.
- Take bends slowly.
- In all circumstances make sure you are in control of your speed.
- On damp, slippery or uneven terrain, drive slowly.
- Brake gently, never abruptly.
- Only use the lift truck's forward/reverse selector from a stationary position and never do so abruptly.
- Do not drive with your foot on the brake pedal.
- Always remember that hydrostatic type steering is extremely sensitive to movement of the steering wheel, so turn it gently and not jerkily.
- Never leave the engine on when the lift truck is unattended.

- Do not leave the cab when the lift truck has a raised load.
- Look where you are going and always make sure you have good visibility along the route.
- Use the rear-view mirrors frequently.
- Drive round obstacles.
- Never drive on the edge of a ditch or steep slope.
- It is dangerous to use two lift trucks simultaneously to handle heavy or bulky loads, since this operation requires particular precautions to be taken. It must only be used exceptionally and after risk analysis.
- The ignition switch has an emergency stop mechanism in case of an operating anomaly occurring in the case of lift trucks not fitted with a punch-operated cut-out.

INSTRUCTIONS

- Always drive the lift truck with the forks or attachment to the transport position, i.e. at 300 mm from the ground, the boom retracted and the carriage sloping backwards.
- For lift trucks with gearboxes, use the recommended gear (see: 2 - DESCRIPTION: INSTRUMENTS AND CONTROLS).
- Select the steering mode appropriate for its use and/or working conditions (see: 2 - DESCRIPTION: INSTRUMENTS AND CONTROLS) (as model of lift truck).
- Release the hand brake.
- Shift the forward/reverse selector to the selected direction of travel and accelerate gradually until the lift truck moves off.

⚠ IMPORTANT ⚠

*Starting and driving a lift truck on a slope can present a very real danger.
The lift truck being parked or stopped, scrupulously follow the following instructions for moving off:*

- *Press the service brake pedal.*
- *Engage 1st or 2nd gear and select forward or reverse.*
- *Check that there is nothing and no-one obstructing the lift truck's path.*
- *Release the service brake pedal and increase the engine revs.*

The risk is increased if the lift truck is laden or towing a trailer, requiring extreme vigilance.

G - STOPPING THE LIFT TRUCK

SAFETY INSTRUCTIONS

- Never leave the ignition key in the lift truck during the operator's absence.
- When the lift truck is stationary, or if the operator has to leave his cab (even for a moment), place the forks or attachment on the ground, apply the parking brake and place the forward/reverse selector in neutral.
- Make sure that the lift truck is not stopped in any position that will interfere with the traffic flow and at less than one meter from the track of a railway.
- In the event of prolonged parking on a site, protect the lift truck from bad weather, particularly from frost (check the level of antifreeze), close and lock all the lift truck accesses (doors, windows, cowls, etc.).

INSTRUCTIONS

- Park the lift truck on flat ground or on an incline lower than 15 %.
- Set the forward/reverse selector to neutral.
- Engage the parking brake.
- For lift trucks with gearboxes, place the gear lever in neutral.
- Fully retract the boom.
- Lower the forks or attachment to rest on the ground.
- When using an attachment with a grab or jaws, or a bucket with hydraulic opening, close the attachment fully.
- Before stopping the lift truck after a long working period, leave the engine idling for a few moments, to allow the coolant liquid and oil to lower the temperature of the engine and transmission. Do not forget this precaution, in the event of frequent stops or warm stalling of the engine, or else the temperature of certain parts will rise significantly due to the stopping of the cooling system, with the risk of badly damaging such parts.
- Stop the engine with the ignition switch.
- Remove the ignition key.
- Lock all the accesses to the lift truck (doors, windows, cowls...).

H - DRIVING THE LIFT TRUCK ON THE PUBLIC HIGHWAY

(or see current legislation in other countries)

FRENCH ROAD TRAFFIC RULES

- The driving of non EC type-approved tractors on the public highway is subject to the provisions of the highway code relating to special machines, defined in article R311-1 of the highway code, in category B of the Equipment Order of 20 November 1969 that determines the procedures applicable to special machines. The lift truck must be fitted with a licence plate.
- The driving of EC type-approved tractors on the public highway is subject to the provisions of the highway code regarding agricultural tractors, defined in article R311-1 of the highway code. The lift truck must be registered.
- The lift truck must be driven on the public highway in accordance with the instructions given in the manual supplied with the lift truck (Gross weight, Gross combination weight, towing load, axle loads, maximum speeds, etc. according to type/version). The operator must be in possession of the lift truck's registration document.
- The operator must hold an HGV licence, unless granted an exemption.
- When towing a trailer or agricultural equipment, the travelling speed of the lift truck is limited to 25 km/h. In this case, a "25" disc must be affixed to the rear of the convoy. When driving with a trailer, the fact of not engaging 4th gear will ensure compliance with the towing speed limit (max. 25 km/h). On "POWERSHIFT" models, as 3rd gear is slower than on other models, it is preferable to use 5th gear and disable automatic upshifting to 6th gear (see: 2 - DESCRIPTION: INSTRUMENTS AND CONTROLS).

SAFETY INSTRUCTIONS

- Operators driving on the public highway must comply with current highway code legislation.
- The lift truck must comply with current road legislation. If necessary, there are optional solutions. Contact your dealer.

INSTRUCTIONS

- Make sure the revolving light is in place, switch it on and verify its operation.
- Make sure the lights, indicators and windscreen wipers are working properly.
- Switch off the working headlights if the lift truck is fitted with them.
- Select the steering mode "HIGHWAY TRAFFIC" (as model of lift truck) (see: 2 - DESCRIPTION: INSTRUMENTS AND CONTROLS).
- Fully retract the boom and set the attachment approximately 300 mm off the ground.
- Place the roll corrector in the central position, i.e. the transverse axis of the axles parallel to the chassis (as model of lift truck).
- Fully raise the stabilizers and turn the blocks inwards (according to model of lift truck).



Never coast in neutral (forward/reverse selector or gear lever in neutral or transmission cut-off button pressed) to preserve the lift truck engine brake. Failure to observe this instruction on a slope will lead to excessive speed which may make the lift truck uncontrollable (steering, brakes) and cause serious mechanical damage.

DRIVING THE LIFT TRUCK WITH A FRONT-MOUNTED ATTACHMENT

- You must comply with current regulations in your country, covering the possibility of driving on the public highway with a front-mounted attachment on your lift truck.
- If road legislation in your country authorizes circulation with a front-mounted attachment, you must at least:
 - Protect and report any sharp and/or dangerous edges on the attachment (see: 4 - ADAPTABLE ATTACHMENTS IN OPTION ON THE RANGE: ATTACHMENT SHIELDS).
 - The attachment must not be loaded.
 - Make sure that the attachment does not mask the lighting range of the forward lights.
 - Make sure that current legislation in your country does not require other obligations.

OPERATING THE LIFT TRUCK WITH A TRAILER

- For using a trailer, observe the regulations in force in your country (maximum travel speed, braking, maximum weight of trailer, etc.).
- Do not forget to connect the trailer's electrical equipment to that of the lift truck.
- The trailer's braking system must comply with current legislation.
- If pulling a trailer with assisted braking, the tractor lift truck must be equipped with a trailer braking mechanism. In this case, do not forget to connect the trailer braking equipment to the lift truck.
- The vertical force on the towing hook must not exceed the maximum authorised by the manufacturer (consult the manufacturer's plate on your lift truck).
- The authorised gross vehicle weight must not exceed the maximum weight authorised by the manufacturer (see: 2 - DESCRIPTION: CHARACTERISTICS).

IF NECESSARY, CONSULT YOUR DEALER.

A - CHOICE OF ATTACHMENTS

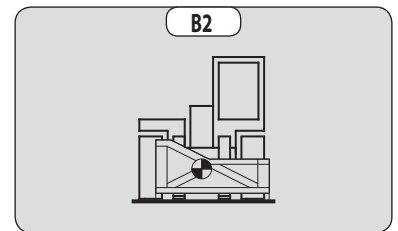
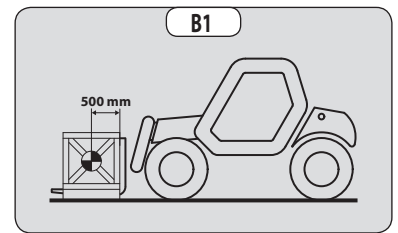
- Only attachments approved by MANITOU can be used on its lift trucks.
- Make sure the attachment is appropriate for the work to be done (see: 4 - ADAPTABLE ATTACHMENTS IN OPTION ON THE RANGE).
- If the lift truck is equipped with the Single side-shift carriage OPTION (TSDL), use only the authorised attachments (see: 4 - ADAPTABLE ATTACHMENTS IN OPTION ON THE RANGE).
- Make sure the attachment is correctly installed and locked onto the lift truck carriage.
- Make sure that your lift truck attachments work properly.
- Comply with the load chart limits for the lift truck for the attachment used.
- Do not exceed the rated capacity of the attachment.
- Never lift a load in a sling without the attachment provided for the purpose, as the sling risks to slip (see: INSTRUCTIONS FOR HANDLING A LOAD: H - TAKING UP AND LAYING DOWN A SUSPENDED LOAD).
- Do not handle loads that are hung directly from the forks with straps (e.g.: big-bag), as there is a risk that the straps will shear against the sharp edges. Use an attachment designed for this purpose.

B - MASS OF LOAD AND CENTRE OF GRAVITY

- Before taking up a load, you must know its mass and its centre of gravity.
- The load chart for your lift truck is valid for a load in which the longitudinal position of the centre of gravity is 500 mm from the base of the forks (fig. B1). For a higher centre of gravity, contact your dealer.
- For irregular loads, determine the transverse centre of gravity before any movement (fig. B2) and set it in the longitudinal axis of the lift truck.

⚠ IMPORTANT ⚠

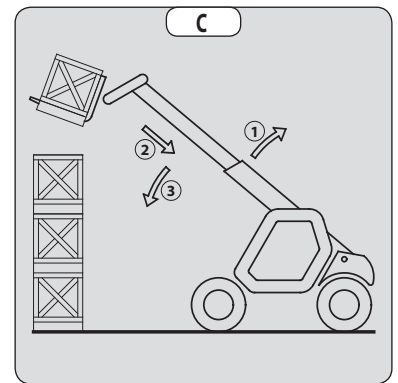
*It is forbidden to move a load heavier than the effective capacity defined on the lift truck load chart.
For loads with a moving centre of gravity (e.g. liquids), take account of the variations in the centre of gravity in order to determine the load to be handled and be vigilant and take extra care to limit these variations as far as possible.*



C - LONGITUDINAL STABILITY LIMITER AND WARNING DEVICE

This device gives an indication of the longitudinal stability of the lift truck, and limits hydraulic movements in order to ensure this stability, at least under the following operating conditions:

- when the lift truck is at a standstill,
 - when the lift truck is on firm, stable and consolidated ground,
 - when the lift truck is performing handling and placing operations.
- Move the jib very carefully when approaching the authorized load limit (see: 2 - DESCRIPTION: INSTRUMENTS AND CONTROLS).
 - Always watch this device during handling operations.
 - In the event that "AGGRAVATING" hydraulic movements are cut-off, only perform de-aggravating hydraulic movements in the following order (fig. C): if necessary, raise the jib (1), retract the jib as far as possible (2) and lower the jib (3) to set down the load.



⚠ IMPORTANT ⚠

*The instrument reading may be erroneous when the steering is at full lock or the rear axle is oscillated to its maximum extent.
Before lifting a load, make sure that the lift truck is not in either of these situations.*

D - TRANSVERSE ATTITUDE OF THE LIFT TRUCK

Depending on the model of lift truck

The transverse attitude is the transverse slope of the chassis with respect to the horizontal.

Raising the jib reduces the lift truck's lateral stability. The transverse attitude must be set with the jib in down position as follows:

1 - LIFT TRUCK WITHOUT ROLL CORRECTOR USED ON TYRES

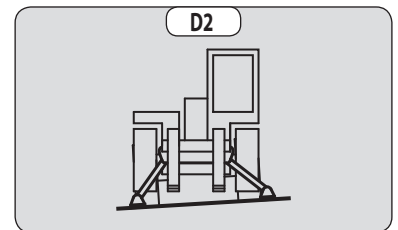
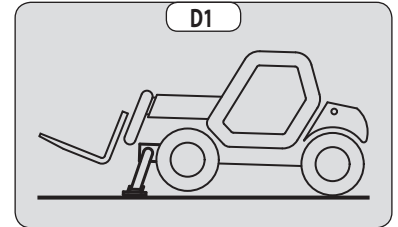
- Position the lift truck so that the bubble in the level is between the two lines (see: 2 - DESCRIPTION: INSTRUMENTS AND CONTROLS).

2 - LIFT TRUCK WITH ROLL CORRECTOR USED ON TYRES

- Correct the roll using the hydraulic control and check horizontality with the spirit level. The bubble in the level must be between the two lines (see: 2 - DESCRIPTION: INSTRUMENTS AND CONTROLS).

3 - LIFT TRUCK USED ON STABILIZERS

- Set the two stabilizers on the ground and raise the two front wheels of the lift truck (fig. D1).
- Correct the roll using the stabilizers (fig. D2) and check horizontality with the spirit level. The bubble of the level must be between the two lines (see: 2 - DESCRIPTION: INSTRUMENTS AND CONTROLS). In this position, the two front wheels must be off the ground.



E - TAKING UP A LOAD ON THE GROUND

- Approach the lift truck perpendicular to the load, with the jib retracted and the forks in a horizontal position (fig. E1).
- Adjust the fork spread and centring relative to the load to ensure stability (fig. E2) (optional solutions exist, consult your dealer).
- Never lift a load with a single fork.

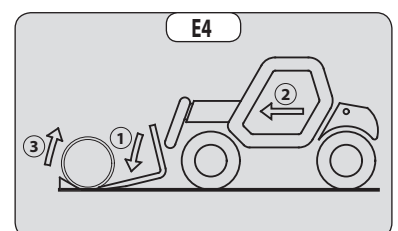
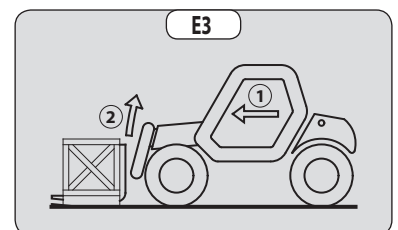
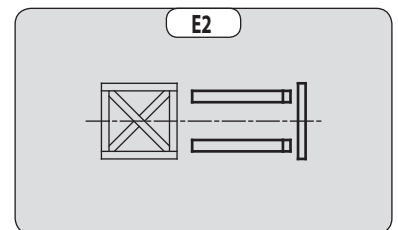
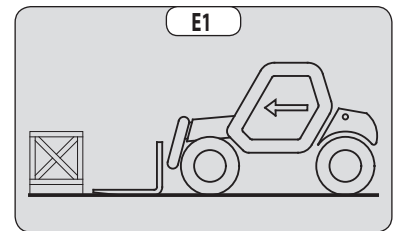
⚠ IMPORTANT ⚠

Beware of the risks of trapping or squashing limbs when manually adjusting the forks.

- Move the lift truck forward slowly (1) and insert the forks under the load as far as they will go (fig. E3). If necessary, slightly lift the jib (2) while taking up the load.
- Bring the load into the transport position.
- Tilt the load far enough backwards to ensure stability (loss of load on braking or going downhill).

FOR A NON-PALLETISED LOAD

- Tilt the carriage (1) forwards and move the lift truck slowly forwards (2), to insert the fork under the load (fig. E4) (block the load if necessary).
- Continue to move the lift truck forwards (2) tilting the carriage (3) (fig. E4) backwards to position the load on the forks and check the load's longitudinal and lateral stability.



F - TAKING UP AND LAYING A HIGH LOAD ON TYRES

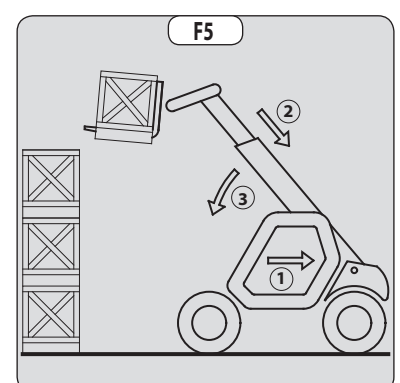
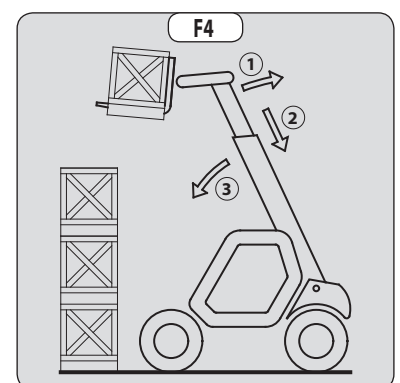
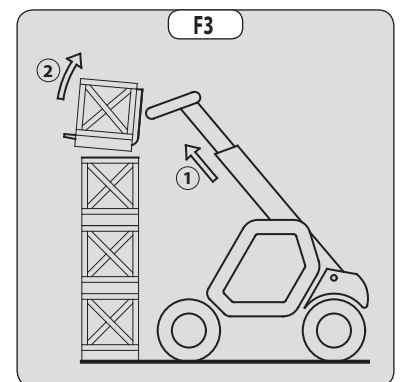
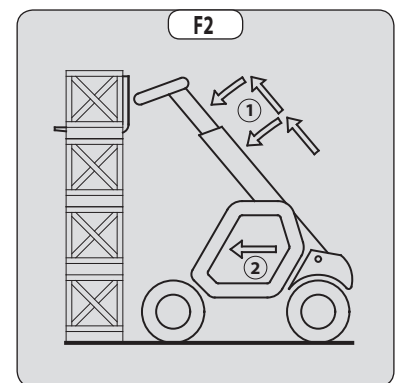
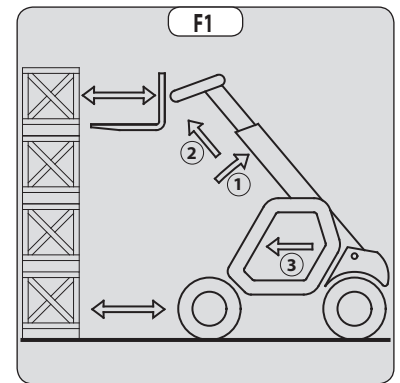
⚠ IMPORTANT ⚠

You must not raise the jib if you have not checked the transverse attitude of the lift truck (see: INSTRUCTIONS FOR HANDLING A LOAD: D - TRANSVERSE ATTITUDE OF THE LIFT TRUCK).

REMINDER: Make sure that the following operations can be performed with good visibility (see: OPERATIONS INSTRUCTIONS UNLADEN AND LADEN: D - VISIBILITY).

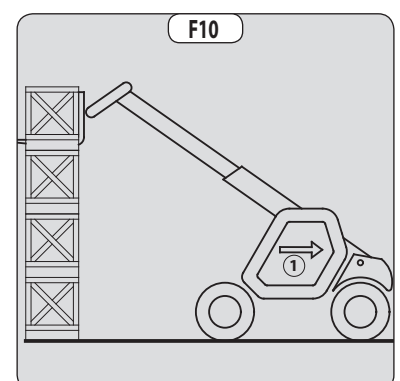
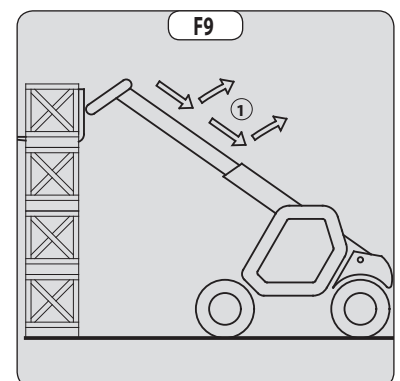
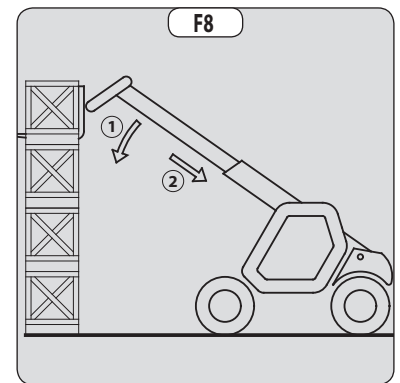
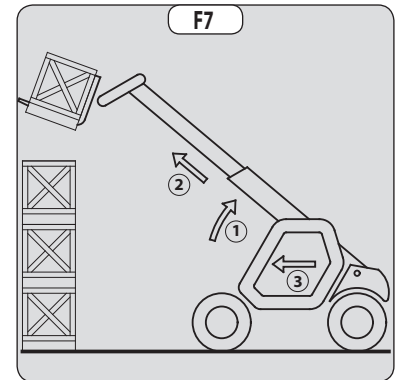
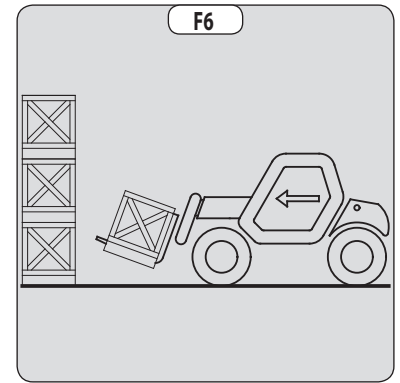
TAKING UP A HIGH LOAD ON TYRES

- Ensure that the forks will easily pass under the load.
- Lift and extend the jib (1) (2) until the forks are level with the load, moving the lift truck (3) forward if necessary (fig. F1), moving very slowly and carefully.
- Always remember to keep the distance necessary for inserting the forks under the load, between the stack and the lift truck (fig. F1) and use the shortest possible length of jib.
- Insert the forks under the load as far as they will go by alternately extending and lowering the jib (1) or, if necessary, moving the lift truck forward (2) (fig. F2). Apply the handbrake and place the forward/reverse selector in neutral.
- Slightly raise the load (1) and tilt the carriage (2) backwards to stabilize the load (fig. F3).
- Tilt the load sufficiently backwards to ensure its stability.
- Monitor the longitudinal stability limiter and warning device (see: INSTRUCTIONS FOR HANDLING A LOAD: C - LONGITUDINAL STABILITY LIMITER AND WARNING DEVICE). If it is overloaded, set the load back down in the place from which it was taken.
- If possible lower the load without shifting the lift truck. Lift the jib (1) to release the load, retract (2) and lower the jib (3) to bring the load into the transport position (fig. F4).
- If this is not possible, back up the lift truck (1), manoeuvring very gently and carefully to release the load. Retract (2) and lower the jib (3) to bring the load into the transport position (fig. F5).



LAYING A HIGH LOAD ON TYRES

- Approach the load in the transport position in front of the stack (fig. F6).
- Apply the parking brake and place the forward/reverse selector in neutral.
- Raise and extend the jib (1) (2) until the load is above the stack, while monitoring the longitudinal stability limiter and warning device (see: INSTRUCTIONS FOR HANDLING A LOAD: C - LONGITUDINAL STABILITY LIMITER AND WARNING DEVICE). If necessary, move the lift truck (3) forward (fig. F7), driving very slowly and carefully.
- Place the load in a horizontal position and lay it down on the pile by lowering and retracting the jib (1) (2) in order to position the load correctly (fig. F8).
- If possible, release the fork by alternately retracting and raising the jib (1) (fig. F9). Then set the forks into transport position.
- If this is not possible, reverse the lift truck (1) very slowly and carefully to release the forks (fig. F10). Then set them into transport position.



G - TAKING UP AND LAYING A HIGH LOAD ON STABILIZERS

Depending on the model of lift truck

⚠ IMPORTANT ⚠

You must not raise the jib if you have not checked the transverse attitude of the lift truck (see: INSTRUCTIONS FOR HANDLING A LOAD: D - TRANSVERSE ATTITUDE OF THE LIFT TRUCK).

REMINDER: Make sure that the following operations can be performed with good visibility (see: OPERATIONS INSTRUCTIONS UNLADEN AND LADEN: D - VISIBILITY).

The stabilizers are used to optimise the lift truck's lifting performances (see: 2 - DESCRIPTION: INSTRUMENTS AND CONTROLS).

POSITION THE STABILIZERS WITH THE FORKS IN TRANSPORT POSITION (UNLADEN AND LADEN)

- Set the forks in transport position in front of the elevation.
- Stay far enough away to have room for the jib to be raised.
- Apply the parking brake and place the forward/reverse selector in neutral.
- Set the two stabilizers on the ground and lift the two front wheels of the lift truck (fig. G1), while maintaining its transverse stability.

RAISE THE STABILIZERS WITH THE FORKS IN TRANSPORT POSITION (UNLADEN AND LADEN)

- Raise both stabilizers fully and at the same time.

LOWERING OF STABILISERS WITH JIB UP (UNLADEN AND LADEN).

⚠ IMPORTANT ⚠

This operation must be exceptional and performed with great care.

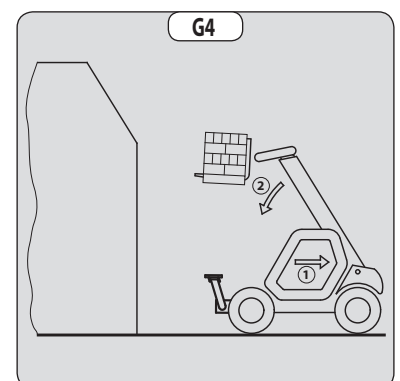
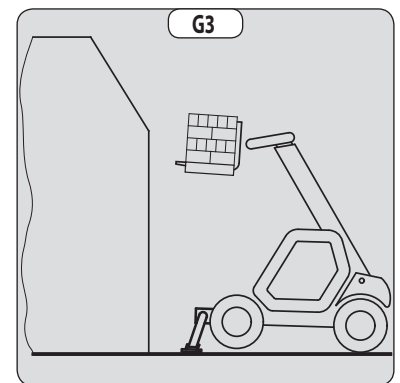
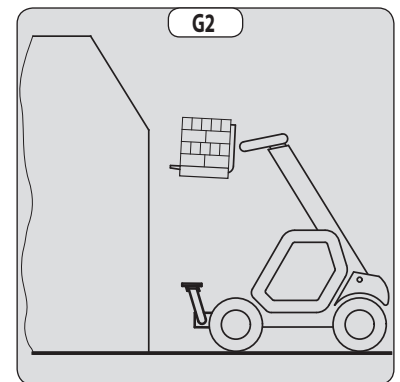
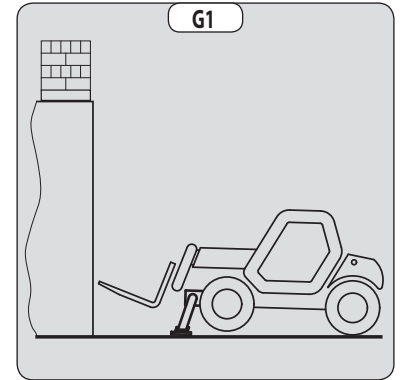
- Raise the jib and retract the telescopes completely.
- Set the lift truck in position in front of the elevation (fig. G2) moving very slowly and carefully.
- Apply the parking brake and place the forward/reverse selector in neutral.
- Move the stabilizers very slowly and gradually as soon as they are close to the ground or in contact with it.
- Lower the two stabilizers and lift the two front wheels of the lift truck (fig. G3). During this operation, transverse attitude must be permanently maintained: the bubble in the level must be kept between the two lines.

SETTING THE STABILIZERS WITH THE JIB UP (UNLADEN AND LADEN)

⚠ IMPORTANT ⚠

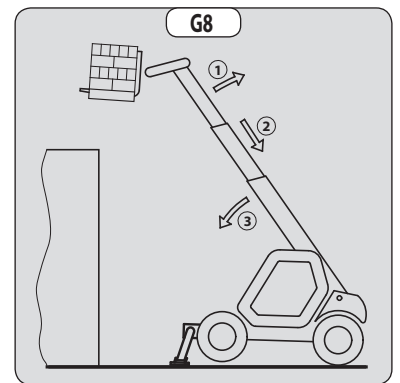
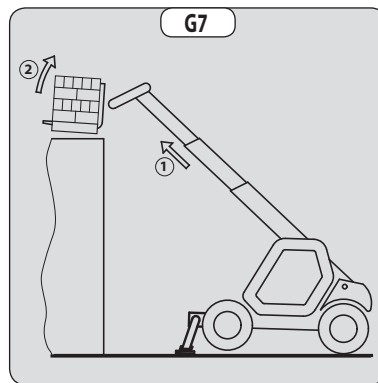
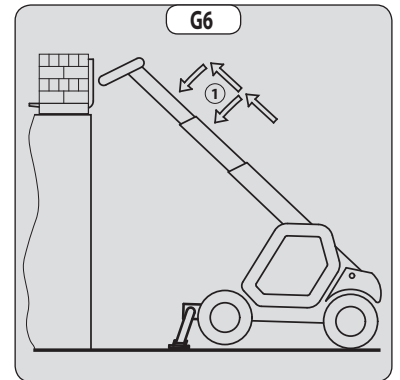
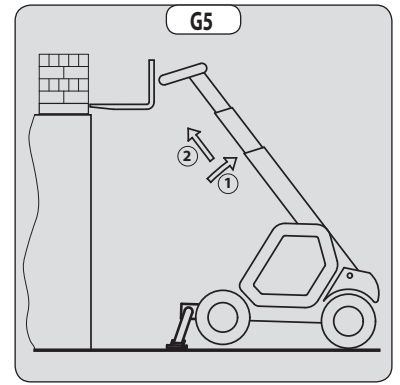
This operation must be exceptional and performed with great care.

- Keep the jib up and retract the telescopes completely (fig. G3).
- Move the stabilizers very slowly and gradually as soon as they are in contact with the ground and when they leave the ground. During this operation, the transverse attitude must be permanently maintained: the bubble in the level must be kept between the two lines.
- Raise both stabilizers completely.
- Release the parking brake and reverse the lift truck (1) very slowly and carefully, to release it and lower the forks (2) into transport position (fig. G4).



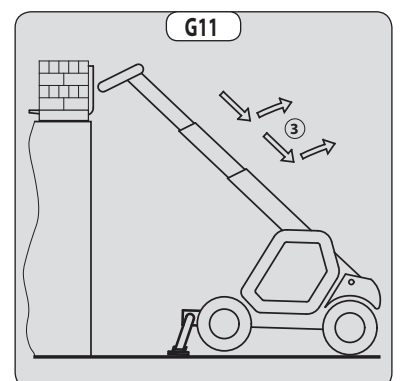
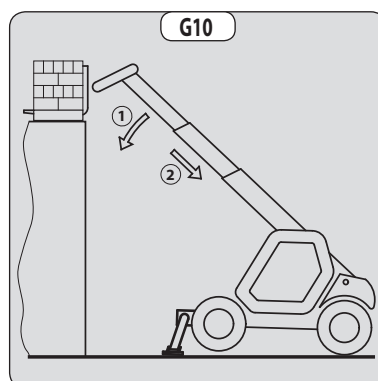
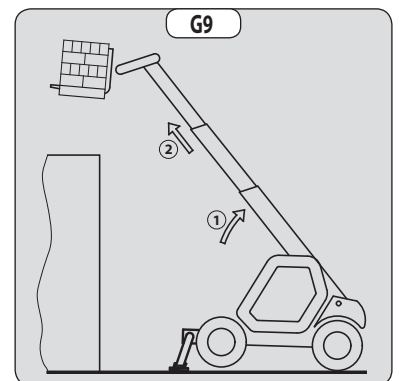
TAKING UP A HIGH LOAD ON STABILISERS

- Ensure that the forks will easily pass under the load.
- Check the position of the lift truck with respect to the load and make a test run, if necessary, without taking the load.
- Raise and extend the jib (1) (2) until the forks are at the level of the load (fig. G5).
- Insert the forks under the load as far as they will go by alternately extending and lowering the jib (1) (fig. G6).
- Lift the load slightly (1) and tilt the carriage (2) backwards to stabilise the load (fig. G7).
- Monitor the longitudinal stability limiter and warning device (see: INSTRUCTIONS FOR HANDLING A LOAD: C - LONGITUDINAL STABILITY LIMITER AND WARNING DEVICE). If it is overloaded, set the load back down in the place from which it was taken.
- If possible lower the load without moving the lift truck. Raise the jib (1) to release the load, retract (2) and lower the jib (3) to set the load into transport position (fig. G8).



LAYING A HIGH LOAD ON STABILISERS

- Raise and extend the jib (1) (2) until the load is above the elevation (fig. G9), while monitoring the longitudinal stability limiter and warning device (see: INSTRUCTIONS FOR HANDLING A LOAD: C - LONGITUDINAL STABILITY LIMITER AND WARNING DEVICE).
- Position the load horizontally and release it by lowering and retracting the jib (1) (2) to position the load correctly (fig. G10).
- Free the forks by alternating retracting and raising the jib (3) (fig. G11).
- If possible, set the jib in transport position without moving the lift truck.



H - TAKING UP AND LAYING DOWN A SUSPENDED LOAD

⚠ IMPORTANT ⚠

*Failure to follow the above instructions may lead the lift truck to loose stability and overturn.
MUST be used with a lift truck equipped with an operational hydraulic movement cut-out device.*

CONDITIONS OF USE

- The length of the sling or the chain shall be as short as possible to limit swinging of the load.
- Lift the load vertically along its axis, never by pulling sideways or lengthways.

HANDLING WITHOUT MOVING THE LIFT TRUCK

- Whether on stabilisers or on tyres, the lateral attitude must not exceed 1 % and the longitudinal attitude must not exceed 5%, the bubble of the level must be held at "0".
- Ensure that the wind speed is not higher than 10 m/s.
- Ensure that there is no one between the load and the lift truck.

I - TRAVELLING WITH A SUSPENDED LOAD

- Before moving, inspect the terrain in order to avoid excessive slopes and cross-falls, bumps and potholes, or soft ground.
- Ensure that the wind speed is not higher than 36 km/h.
- The lift truck must not travel at more than 0,4 m/s (1,5 km/h, i.e., one quarter walking speed).
- Drive and stop the lift truck gently and smoothly to minimise swinging of the load.
- Carry the load a few centimetres above the ground (max. 30 cm) the shortest possible jib length. Do not exceed the offset indicated on the load chart. If the load begins to swing excessively, do not hesitate to stop and lower the jib to set down the load.
- Before moving the lift truck, check the longitudinal stability limiter and warning device (see: 2 - DESCRIPTION: INSTRUMENTS AND CONTROLS), only the green LEDs and possible the yellow LEDs should be lit.
- During transport, the lift truck operator must be assisted by a person on the ground (standing a minimum of 3 m from the load), who will limit swinging of the load using a bar or a rope. Ensure that this person is always clearly in view.
- The lateral attitude must not exceed 5 %, the bubble in the level must be kept between the two "MAX" marks
- The longitudinal attitude must not exceed 15 %, with the load facing uphill, and 10%, with the load facing downhill.
- The jib angle must not exceed 45°.
- If the first red LED of longitudinal stability limiter and warning device (see: 2 - DESCRIPTION: INSTRUMENTS AND CONTROLS) comes on while travelling, gently bring the lift truck to a halt and stabilise the load. Retract the telescope to reduce the offset of the load.

PLATFORM OPERATING INSTRUCTIONS

For lift trucks fitted with a PLATFORM

⚠ IMPORTANT ⚠

Installation of the platform on the lift truck is only possible if the shields "operating the platform" of the lift truck and the platform are identical (see: 2 - DESCRIPTION: OPERATING THE PLATFORM).

A - AUTHORISATION FOR USE

- Operation of the platform requires further authorisation in addition to that of the lift truck.

B - LIFT TRUCK SUITABILITY FOR USE

- MANITOU has ensured that this platform is suitable for use under the normal operating conditions defined in this operator's manual, with a **STATIC** test coefficient **OF 1,25** and a **DYNAMIC** test coefficient **OF 1,1**, as specified in harmonised standard **EN 280** for "mobile elevating work platforms".
- Before commissioning, the company manager must make sure that platform is appropriate for the work to be done, and perform certain tests (in accordance with current legislation).

C - PRECAUTIONS WHEN USING THE PLATFORM

- Wear suitable clothing when using the platform, avoid loosely-fitting garments.
- Never operate the platform when hands or feet are wet or soiled with greasy substances.
- Remain alert at all times when using the platform. Do not listen to the radio or music using headphones or earphones.
- For increased comfort, adopt the correct position at the platform's operator station.
- The platform's guard rail exempts the operator from wearing a safety harness under normal operating conditions. As a result, you are responsible for deciding whether to wear a safety harness.
- The control units must never in any event be used for any other than their intended purposes (e.g. climbing onto or down from the lift truck, portmanteau, etc.).
- Safety helmets must be worn.
- The operator must always be in the normal operator's position. It is prohibited to have arms or legs, or generally any part of the body, protruding from the basket.
- Ensure that any materials loaded onto the platform (pipes, cables, containers, etc.) cannot fall out. Do not pile these materials to the point where it is necessary to step over them.

D - USING THE PLATFORM

- However experienced they may be, operators must acquaint themselves with the emplacement and operation of all control instruments prior to operating the platform.
- Check before use that the platform has been correctly assembled and locked onto the lift truck.
- Check before operating the platform that the access gate has been properly locked.
- The platform should be operated in an area free of any obstructions or danger when it is lowered to the ground.
- The operator using the platform must be aided on the ground by a person with adequate training.
- You should stay within the limits set out in the platform load chart.
- The lateral stresses are limited pressure (see: 2 - DESCRIPTION: CHARACTERISTICS).
- It is strictly forbidden to hang a load from the platform or the lift truck jib without a specially designed attachment (see: INSTRUCTIONS FOR HANDLING A LOAD: H - TAKING UP AND LAYING DOWN A SUSPENDED LOAD).
- The platform cannot be used as a crane or a lift for permanently transporting people or materials, nor as jacks or supports.
- The lift truck must not be moved with one (or more) person(s) in the platform.
- It is forbidden to transport people on the platform using the hydraulic controls in the lift truck's driver's cab (except in case of rescue).
- The operator must not climb onto or off the platform when it is not on ground level (jib retracted and in the down position).
- The platform must not be fitted with attachments that increase the unit's wind load.
- Do not use ladders or improvised structures in the platform to gain extra height.
- Do not climb onto the sides of the platform to gain extra height.

E - ENVIRONMENT

⚠ IMPORTANT ⚠

It is forbidden to use the platform close to electricity cables. Maintain the specified safe distances.

RATED VOLTAGE	DISTANCE ABOVE GROUND OR FLOOR IN METRES
50 < U < 1000	2,30 M
1000 < U < 30000	2,50 M
30000 < U < 45000	2,60 M
45000 < U < 63000	2,80 M
63000 < U < 90000	3,00 M
90000 < U < 150000	3,40 M
150000 < U < 225000	4,00 M
225000 < U < 400000	5,30 M
400000 < U < 750000	7,90 M

⚠ IMPORTANT ⚠

It is strictly forbidden to use the platform when the wind speed exceeds 45 km/h.

- To visually recognise this wind speed, refer to the empirical wind evaluation scale below:

BEAUFORT scale (wind speed at a height of 10 m on a flat site)						
Force	Type of wind	Speed (knots)	Speed (km/h)	Speed (m/s)	Effects on Land	Sea conditions
0	Calm	0 - 1	0 - 1	< 0,3	- Smoke rises vertically.	- Sea is like a mirror.
1	Light air	1 - 3	1 - 5	0,3 - 1,5	- Smoke indicates direction of wind.	- Ripples with appearance of scale, no foam crests.
2	Light breeze	4 - 6	6 - 11	1,6 - 3,3	- Wind felt on face, leaves rustle.	- Short wavelets, but pronounced.
3	Gentle breeze	7 - 10	12 - 19	3,4 - 5,4	- Leaves and small twigs in constant motion.	- Very small waves, crests begin to break.
4	Moderate breeze	11 - 16	20 - 28	5,5 - 7,9	- Wind raises dust and loose pieces of paper; small branches are moved.	- Small waves, becoming longer, numerous whitecaps.
5	Fresh breeze	17 - 21	29 - 38	8 - 10,7	- Small trees in leaf begin to sway.	- Wavelets form on inland waters; moderate waves, taking longer form.
6	Strong breeze	22 - 27	39 - 49	10,8 - 13,8	- Large branches in motion, whistling heard in overhead wires, umbrella use becomes difficult.	- Larger waves forming, whitecaps everywhere, some spray.
7	Near gale	28 - 33	50 - 61	13,9 - 17,1	- Whole trees in motion, inconvenience felt when walking against the wind.	- Sea heaps up; white foam from breaking waves begins to be blown in streaks along the direction of the wind.
8	Gale	34 - 40	62 - 74	17,2 - 20,7	- Wind breaks twigs off trees; impedes progress.	- Moderately high waves of greater length; edges of crests begin to break into spindrift.
9	Strong gale	41 - 47	75 - 88	20,8 - 24,4	- Wind damages roofs (chimneys, slates, etc.).	- High waves, crests of waves begin to topple, streaks of foam; reduced visibility.
10	Storm	48 - 55	89 - 102	24,5 - 28,4	- Seldom experienced inland; trees uprooted; considerable structural damage occurs.	- Very high waves; white streaks of foam; reduced visibility.
11	Violent storm	56 - 63	103 - 117	28,5 - 32,6	- Very rare, widespread damage.	- Exceptionally high waves able to hide medium sized ships from view, reduced visibility.
12	Hurricane	64 +	118 +	32,7 +	- Devastating damage.	- Sea completely white; air filled with foam and spray, very reduced visibility.

F - MAINTENANCE

⚠ IMPORTANT ⚠

*Your platform must be periodically inspected to ensure its continued compliance.
The inspection frequency is defined by the legislation applying in the country in which the platform is used.
In France, a general periodic inspection every 6 months (order of 1 March 2004).*

INSTRUCTIONS FOR USING THE RADIO-CONTROL

For lift trucks with RC radio control

HOW TO USE THE RADIO-CONTROL

SAFETY INSTRUCTIONS

- This radio-control consists of electronic and mechanical safety elements. It cannot receive commands from another transmitter because the internal encoding is unique to each radio-control.

⚠ IMPORTANT ⚠

If it is used improperly or incorrectly, there is a risk of danger to:

- *The physical and mental health of the user or others.*
- *The lift truck and other neighbouring items.*

All those working with this radio-control:

- *Must be qualified in line with current regulations and trained accordingly.*
- *Must follow this instruction manual as closely as possible.*

- The system is used to control the lift truck remotely via radio waves. Commands are also transmitted if the lift truck is out of sight (behind an obstacle or a building for example), this is why:
 - After stopping the truck and removing the key switch (only possible when it is stationary), always place the transmitter in a safe, dry place.
 - Before performing any installation, servicing or repair work, always switch off power sources (in particular, electric welding devices and electric head units on hydraulic distributors must be disconnected at each section).
 - Never remove or alter the safety devices (such as the hand-guard frame, key, emergency stop button, etc.).

⚠ IMPORTANT ⚠

Never drive the lift truck if it is not continuously and perfectly within view of the operator!

- Before leaving the transmitter, the operator must make sure that it cannot be used by an unauthorized third person: either by removing the key button from the transmitter or locking it in an inaccessible place.
- The user must ensure that the instruction manual is accessible at all times and that operators have read and understood it.

INSTRUCTIONS

- Take up position in a stable place with no risk of slipping.
- Before using the transmitter, make sure there is nobody within the working area.
- Only use the transmitter with its carrying device or installed correctly on the platform.

⚠ IMPORTANT ⚠

When you remove the transmitter, remove the accumulator and key button so that it cannot be used accidentally or deliberately by anyone else.

PROTECTIVE DEVICES

- The lift truck will be immobilised within a maximum of 450 milliseconds (approx. 0.5 second):
 - If the emergency stop button of the transmitter is pressed (50 milliseconds), or that of the lift truck.
 - If the transmission distance of the radio waves is exceeded.
 - If the transmitter is faulty.
 - If an interfering radio signal is received from elsewhere.
 - If the accumulator is removed from its housing in the transmitter.
 - If the battery reaches the end of its autonomy.
 - If the transmitter is switched off by turning the key switch to the off position.
- These protective devices are provided for the safety of personnel and property and must never be altered, removed or bypassed in any way whatsoever!
- The hand-guard frame prevents external action on a manipulator (e.g. if the transmitter is dropped, or if the operator leans on a guard-rail).
- An electronic safety device prevents radio transmission from being initiated if the manipulators are not mechanically and electrically at rest and if the internal combustion engine speed selector is not set to idle.

⚠ IMPORTANT ⚠

In an emergency, press the transmitter emergency stop button immediately ; then follow the manual's instructions (see: 2 - DESCRIPTION: INSTRUMENTS AND CONTROLS).

LIFT TRUCK MAINTENANCE INSTRUCTIONS

GENERAL INSTRUCTIONS

- Ensure the area is sufficiently ventilated before starting the lift truck.
- Wear clothes suitable for the maintenance of the lift truck, avoid wearing jewellery and loose clothes. Tie and protect your hair, if necessary.
- Stop the engine and remove the ignition key, when an intervention is necessary.
- Read the operator's manual carefully.
- Carry out all repairs immediately, even if the repairs concerned are minor.
- Repair all leaks immediately, even if the leak concerned is minor.
- Make sure that the disposal of process materials and of spare parts is carried out in total safety and in an ecological way.
- Be careful of the risk of burning and splashing (exhaust, radiator, engine, etc.).

PLACING THE JIB SAFETY WEDGE

- The lift truck is equipped with a jib safety wedge (see: 2 - DESCRIPTION: INSTRUMENTS AND CONTROLS) that must be installed on the rod of the lifting cylinder when working beneath the jib.

FITTING THE WEDGE

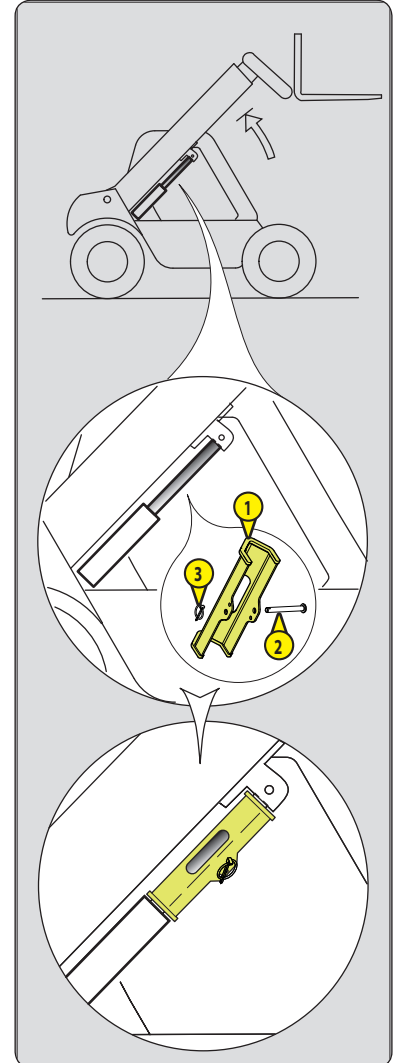
- Fully raise the jib.
- Place the safety wedge 1 on the rod of the lifting cylinder and secure with the rod 2 and the pin 3.
- Slowly lower the jib then stop the hydraulic movements before it comes into contact with the wedge.

REMOVING THE WEDGE

- Fully raise the jib.
- Remove the pin and the rod.
- Return the safety wedge to the storage location provided on the lift truck.

⚠ IMPORTANT ⚠

Only use the wedge supplied with the lift truck.



MAINTENANCE

- Perform the periodic service (see: 3 - MAINTENANCE) to keep your lift truck in good working conditions. Failure to perform the periodic service may cancel the contractual guarantee.

MAINTENANCE LOGBOOK

- The maintenance operations carried out in accordance with the recommendations given in part: 3 - MAINTENANCE and the other inspection, servicing or repair operations or modifications performed on the lift truck or its attachments shall be recorded in a maintenance logbook. The entry for each operation shall include details of the date of the works, the names of the individuals or companies having performed them, the type of operation and its frequency, if applicable. The part numbers of any lift truck items replaced shall also be indicated.

LUBRICANT AND FUEL LEVELS

- Use the recommended lubricants (never use contaminated lubricants).
- Do not fill the fuel tank when the engine is running.
- Only fill up the fuel tank in areas specified for this purpose.
- Do not fill the fuel tank to the maximum level.
- Do not smoke or approach the lift truck with a flame, when the fuel tank is open or is being filled.

HYDRAULIC

- Any work on the load handling hydraulic circuit is forbidden except for the operations described in part: 3 - MAINTENANCE.
- Do not attempt to loosen unions, hoses or any hydraulic component with the circuit under pressure.

⚠ IMPORTANT ⚠

BALANCING VALVE: It is dangerous to change the setting and remove the balancing valves or safety valves which may be fitted to your lift truck cylinders. The HYDRAULIC ACCUMULATORS that may be fitted on your lift truck are pressurised units. Removing these accumulators and their pipework is a dangerous operation and must only be performed by approved personnel (consult your dealer).

ELECTRICITY

- Do not short-circuit the starter relay to start the engine. If the forward/reverse selector is not in neutral and the parking brake is not applied, the lift truck may suddenly start to move.
- Do not drop metallic items on the battery.
- Disconnect the battery before working on the electrical circuit.

WELDING

- Disconnect the battery before any welding operations on the lift truck.
- When carrying out electric welding work on the lift truck, connect the negative cable from the equipment directly to the part being welded, so as to avoid high tension current passing through the alternator.
- Never carry out welding or work which gives off heat on an assembled tyre. The heat would increase the pressure which could cause the tyre to explode.
- If the lift truck is equipped with an electronic control unit, disconnect this before starting to weld, to avoid the risk of causing irreparable damage to electronic components.

WASHING THE LIFT TRUCK

- Clean the lift truck or at least the area concerned before any intervention.
- Remember to close and lock all accesses to the lift truck (doors, windows, cowls...).
- During washing, avoid the articulations and electrical components and connections.
- If necessary, protect against penetration of water, steam or cleaning agents, components susceptible of being damaged, particularly electrical components and connections and the injection pump.
- Clean the lift truck of any fuel, oil or grease trace.

TRANSPORTING THE LIFT TRUCK

⚠ IMPORTANT ⚠

Transporting the lift truck involves real risks for the operator and others involved.

- Towing, slinging or transporting the lift truck (see: 3 - MAINTENANCE: G - OCCASIONAL MAINTENANCE).

IF THE LIFT TRUCK IS NOT TO BE USED FOR A LONG TIME

INTRODUCTION

The following recommendations are intended to prevent the lift truck from being damaged when it is withdrawn from service for an extended period.

For these operations, we recommend the use of a MANITOU protective product, reference 603726.

Instructions for using the product are given on the packaging.



Procedures to follow if the lift truck is not to be used for a long time and for starting it up again afterwards must be performed by your dealership.

PREPARING THE LIFT TRUCK

- Clean the lift truck thoroughly.
- Check and repair any fuel, oil, water or air leaks.
- Replace or repair any worn or damaged parts.
- Wash the painted surfaces of the lift truck in clear and cold water and wipe them.
- Touch up the paintwork if necessary.
- Shut down the lift truck (see: OPERATING INSTRUCTIONS UNLADEN AND LADEN).
- Make sure the jib cylinder rods are all in retracted position.
- Release the pressure in the hydraulic circuits.

PROTECTING THE ENGINE

- Fill the tank with fuel (see: 3 - MAINTENANCE: A - DAILY OR EVERY 10 HOURS SERVICE).
 - Empty and replace the cooling liquid (see: 3 - MAINTENANCE: F - EVERY 2000 HOURS SERVICE).
 - Leave the engine running at idling speed for a few minutes, then switch off.
 - Replace the engine oil and oil filter (see: 3 - MAINTENANCE: D - EVERY 500 HOURS SERVICE).
 - Add the protective product to the engine oil.
 - Run the engine for a short time so that the oil and cooling liquid circulate inside.
 - Disconnect the battery and store it in a safe place away from the cold, after charging it to a maximum.
 - Remove the injectors and spray the protective product into each cylinder for two seconds with the piston in low neutral position.
 - Turn the crankshaft once slowly and refit the injectors (see engine REPAIR MANUAL).
 - Remove the intake hose from the manifold or turbocharger and spray the protective product into the manifold or turbocharger.
 - Cap the intake manifold or turbocharger hole with waterproof adhesive tape.
 - Remove the exhaust pipe and spray the protective product into the exhaust manifold or turbocharger.
 - Refit the exhaust pipe and block the outlet with waterproof adhesive tape.
- NOTE: The spray time is noted on the product packaging and must be increased by 50 % for turbo engines.
- Open the filler plug, spray the protective product around the rocker arm shaft and refit the filler plug.
 - Cap the fuel tank using waterproof adhesive tape.
 - Remove the drive belts and store them in a safe place.
 - Disconnect the engine cut-off solenoid on the injection pump and carefully insulate the connection.

PROTECTING THE LIFT TRUCK

- Set the lift truck on axle stands so that the tyres are not in contact with the ground and release the handbrake.
- Protect cylinder rods which will not be retracted, from corrosion.
- Wrap the tyres.

NOTE: If the lift truck is to be stored outdoors, cover it with a waterproof tarpaulin.

BRINGING THE LIFT TRUCK BACK INTO SERVICE

- Remove the waterproof adhesive tape from all the holes.
- Refit the intake hose.
- Refit and reconnect the battery.
- Remove the protection from the cylinder rods.
- Perform the daily service (see: 3 - MAINTENANCE: A - DAILY OR EVERY 10 HOURS SERVICE).
- Put the handbrake on and remove the axle stands.
- Empty and replace the fuel and replace the fuel filter (see: 3 - MAINTENANCE: D - EVERY 500 HOURS SERVICE).
- Refit and set the tension in the drive belts (see: 3 - MAINTENANCE: C - EVERY 250 HOURS SERVICE).
- Turn the engine over with the starter, to allow the oil pressure to rise.
- Reconnect the engine cut-off solenoid.
- Lubricate the lift truck completely (see: 3 - MAINTENANCE: SERVICING SCHEDULE).

⚠ IMPORTANT ⚠

Ensure the area is sufficiently ventilated before starting the lift truck.

- Start up the lift truck, following the safety instructions and regulations (see: OPERATING INSTRUCTIONS UNLADEN AND LADEN).
- Run all the jib's hydraulic movements, concentrating on the ends of travel for each cylinder.

LIFT TRUCK DISPOSAL

MANITOU complies with the regulations deriving from Directive 2000/53/EC relating to lift truck end-of-life. This lift truck contains no substances or materials forbidden by Directive 2000/53/EC.

NOTE: Consult your dealer before disposing of your lift truck.

RECYCLING OF MATERIALS

METALS

- Metals are 100 % recoverable and recyclable.

PLASTICS

- Plastic parts are identified with a marking in accordance with current regulations.
- A limited range of materials is used to simplify the recycling process.
- The majority of plastic components are made of "thermoplastic" plastics, that are easily recycled by melting, granulating or grinding.

RUBBER

- Tyres and seals can be ground for use in cement manufacture or to obtain reusable granules.

GLASS

- Glass items can be removed and collected for processing by glaziers.

ENVIRONMENTAL PROTECTION

By entrusting the maintenance of your lift truck to the MANITOU network, the risk of pollution is limited and the contribution to environmental protection contribution is made.

WORN OR DAMAGED PARTS

- Do not dump them in the countryside.
- MANITOU and its network have signed-up to a scheme of environmental protection through recycling.

USED OIL

- The MANITOU network organises the collection and processing of used oil products.
- By handing over your waste oil to MANITOU, the risk of pollution is limited.

USED BATTERIES

- Do not throw away batteries, as they contain metals that are harmful for the environment.
- Return them to the MANITOU network or any other approved collection point.

NOTE: MANITOU aims to manufacture lift trucks that provide the best performance and limit polluting emissions.

2 - DESCRIPTION

TABLE OF CONTENTS

2 - DESCRIPTION

«EC» DECLARATION OF CONFORMITY	4
SAFETY PLATES AND STICKERS	6
IDENTIFICATION OF THE LIFT TRUCK	10
CHARACTERISTICS MT 835 ST3B	12
CHARACTERISTICS MT 1135 ST3B	14
CHARACTERISTICS MT 1335 ST3B	16
FRONT AND REAR TIRES	18
DIMENSIONS AND LOAD CHART MT 835 ST3B	20
DIMENSIONS AND LOAD CHART MT 1135 ST3B	22
DIMENSIONS AND LOAD CHART MT 1335 ST3B	24
VISIBILITY MT 835 ST3B	26
VISIBILITY MT 1135 ST3B	28
VISIBILITY MT 1335 ST3B	30
INSTRUMENTS AND CONTROLS	32
TOWING PIN AND HOOK	64
DESCRIPTION AND USE OF THE OPTIONS	66

1) **DÉCLARATION «CE» DE CONFORMITÉ (originale)**
«EC» DECLARATION OF CONFORMITY (original)

2) La société, *The company* : **MANITOU BF**

3) Adresse, *Address* : **430, rue de l'Aubinière - BP 10249 - 44158 - ANCENIS CEDEX - FRANCE**

4) Dossier technique, *Technical file* : **MANITOU BF - 430, rue de l'Aubinière
BP 10249 - 44158 - ANCENIS CEDEX - FRANCE**

5) Constructeur de la machine décrite ci-après, *Manufacturer of the machine described below* :

**MT 835 ST3B
MT 1135 ST3B
MT 1335 ST3B**

6) Déclare que cette machine, *Declares that this machine* :

7) Est conforme aux directives suivantes et à leurs transpositions en droit national,
Complies with the following directives and their transpositions into national law :

2006/42/CE

8) Pour les machines annexe IV, *For annex IV machines* :

9) Numéro d'attestation, *Certificate number* :

10) Organisme notifié, *Notified body* :

15) Normes harmonisées utilisées, *Harmonised standards used* :

16) Normes ou dispositions techniques utilisées, *Standards or technical provisions used* :

17) Fait à, *Done at* : **Ancenis**

18) Date, *Date* :

19) Nom du signataire, *Name of signatory* :

20) Fonction, *Function* :

21) Signature, *Signature* :

bg : 1) удостоверение за « CE » съответствие (оригинална), 2) Фирмата, 3) Адрес, 4) Техническо досие, 5) Фабрикант на описаната по-долу машина, 6) Обявява, че тази машина, 7) Отговаря на следните директиви и на тяхното съответствие национално право, 8) За машините към допълнение IV, 9) Номер на удостоверението, 10) Наименувана фирма, 15) хармонизирани стандарти използвани, 16) стандарти или технически правила, използвани, 17) Изработено в, 18) Дата, 19) Име на разписалия се, 20) Функция, 21) Функция.

cs : 1) **ES prohlášení o shodě (původní)**, 2) Název společnosti, 3) Adresa, 4) Technická dokumentace, 5) Výrobce níže uvedeného stroje, 6) Prohlašuje, že tento stroj, 7) Je v souladu s následujícími směrnicemi a směrnicemi transponovanými do vnitrostátního práva, 8) Pro stroje v příloze IV, 9) Číslo certifikátu, 10) Notifikační orgán, 15) harmonizované normy použity, 16) Norema a technických pravidel používaných, 17) Místo vydání, 18) Datum vydání, 19) Jméno podepsaného, 20) Funkce, 21) Podpis.

da : 1) **EF Overensstemmelseserklæring (original)**, 2) Firmaet, 3) Adresse, 4) tekniske dossier, 5) Konstruktor af nedenfor beskrevne maskine, 6) Erklærer, at denne maskine, 7) Overholder nedennævnte direktiver og disses gennemførelse til national ret, 8) For maskiner under bilag IV, 9) Certificat nummer, 10) Bemyndigede organ, 15) harmoniserede standarder, der anvendes, 16) standarder eller tekniske regler, 17) Udfærdiget i, 18) Dato, 19) Underskrivers navn, 20) Funktion, 21) Underskrift.

de : 1) **EG-Konformitätserklärung (original)**, 2) Die Firma, 3) Adresse, 4) Technischen Unterlagen, 5) Hersteller der nachfolgend beschriebenen Maschine, 6) Erklärt, dass diese Maschine, 7) den folgenden Richtlinien und deren Umsetzung in die nationale Gesetzgebung entspricht, 8) Für die Maschinen laut Anhang IV, 9) Bescheinigungsnummer, 10) Benannte Stelle, 15) angewandten harmonisierten Normen, 16) angewandten sonstigen technischen Normen und Spezifikationen, 17) Ausgestellt in, 18) Datum, 19) Name des Unterzeichners, 20) Funktion, 21) Unterschrift.

el : 1) **Δήλωση συμμόρφωσης CE (πρωτότυπο)**, 2) Η εταιρεία, 3) Διεύθυνση, 4) τεχνικό φάκελο, 5) Κατασκευάστρια του εξής περιγραφόμενου μηχανήματος, 6) Δηλώνει ότι αυτό το μηχάνημα, 7) Είναι σύμφωνο με τις εξής οδηγίες και τις προσαρμογές τους στο εθνικό δίκαιο, 8) Για τα μηχανήματα παραρτήματος IV, 9) Αριθμός δήλωσης, 10) Κοινοποιημένος φορέας, 15) εναρμονισμένα πρότυπα που χρησιμοποιούνται, 16) Πρότυπα ή τεχνικούς κανόνες που χρησιμοποιούνται, 16) Είναι σύμφωνο με τα εξής πρότυπα και τεχνικές διατάξεις, 17) Εν, 18) Ημερομηνία, 19) Όνομα του υπογράφοντος, 20) Θέση, 21) Υπογραφή.

es : 1) **Declaración DE de conformidad (original)**, 2) La sociedad, 3) Dirección, 4) expediente técnico, 5) Constructor de la máquina descrita a continuación, 6) Declara que esta máquina, 7) Está conforme a las siguientes directivas y a sus transposiciones en derecho nacional, 8) Para las máquinas anexo IV, 9) Número de certificación, 10) Organismo notificado, 15) normas armonizadas utilizadas, 16) Otras normas o especificaciones técnicas utilizadas, 17) Hecho en, 18) Fecha, 19) Nombre del signatario, 20) Función, 21) Firma.

et : 1) **EÜ vastavusdeklaratsioon (algupärane)**, 2) Äriühing, 3) Aadress, 4) Tehniline dokumentatsioon, 5) Seadme tootja, 6) Kinnitab, et see toode, 7) On vastavuses järgmistele direktiividele ja nende riigisisesele õigussesse ülevõtmiseks vastuvõetud õigusaktidega, 8) IV lisas loetletud seadmete puhul, 9) Tunnistuse number, 10) Sertifitseerimisasutus, 15) kasutatud ühtlustatud standardite, 16) Muud standardites või spetsifikatsioonides kasutatakse, 17) Väljaandmise koht, 18) Väljaandmise aeg, 19) Allkirjastaja nimi, 20) Amet, 21) Allkiri.

fi : 1) **EY-vaatimustenmukaisuusvakuutus (alkuperäiset)**, 2) Yritys, 3) Osoite, 4) teknisen eritelmän, 5) Jäljessä kuvaton koneen valmistaja, 6) Vakuuttaa, että tämä kone, 7) Täyttää seuraavien direktiivien sekä niitä vastaavien kansallisten säännösten vaatimukset, 8) Liitteen IV koneiden osalta, 9) Todistuksen numero, 10) Ilmoitettu laitos, 15) yhdenmukaistettuja standardeja käytetään, 16) muita standardeja tai eritelmiä, 17) Paikka, 18) Aika, 19) Allekirjoittajan nimi, 20) Toimi, 21) Allekirjoitus.

ga : 1) **«CE»dearbhú comhréireachta (bunaidh)**, 2) An comhlacht, 3) Seoladh, 4) comhad teicniúil, 5) Déantóir an innill a thuariscítear thíos, 6) Dearbhaíonn sé go bhfuil an t-inneall, 7) Go gclóinn sé le na treoracha seo a leanas agus a trasuimh isteach i ndlí náisiúnta, 8) Le haghaidh innill an agusín IV, 9) Uimhir teastais, 10) Comhlacht a chuireadh i bhfios, 15) caighdeáin comhchuibhithe a úsáidtear, 16) caighdeáin eile nó sonraíochtaí teicniúla a úsáidtear, 17) Déanta ag, 18) Dáta, 19) Ainm an tsínitheora, 20) Feidhm, 21) Siníu.

hu : 1) **CE megfelelősegi nyilatkozat (eredeti)**, 2) A vállalat, 3) Cím, 4) műszaki dokumentáció, 5) Az alábbi gép gyártója, 6) Kijelenti, hogy a gép, 7) Megfelel az alábbi irányelveknek valamint azok honosított előírásainak, 8) A IV. melléklet gépeihez, 9) Bizonylati szám, 10) Értesített szervezet, 15) felhasznált harmonizált szabványok, 16) egyéb felhasznált műszaki szabványok és előírások hivatkozásai, 17) Kelt (hely), 18) Dátum, 19) Aláíró neve, 20) Funkció, 21) Aláírás.

is : 1) **Samræmisvottorð ESB (upprunalega)**, 2) Fyrirtækið, 3) Aðsetur, 4) Tæknilegar skrá, 5) Smíður tækisins sem lýst er hér á eftir, 6) Staðfestir að tækið, 7) Samræmist eftirfarandi stöðlum og staðfærslu þeirra með hljóðjón af þjóðarrétti, 8) Fyrir tækin í aukakafla IV, 9) Staðfestingarnúmer, 10) Tilkynnt til, 15) samhæfða staðla sem notaðir, 16) önnur staðlar eða forskriftir notað, 17) Staður, 18) Dagsetning, 19) Nafn undirritaðs, 20) Staða, 21) Undirskrift.

it : 1) **Dichiarazione CE di conformità (originale)**, 2) La società, 3) Indirizzo, 4) fascicolo tecnico, 5) Costruttore della macchina descritta di seguito, 6) Dichiaro che questa macchina, 7) È conforme alle direttive seguenti e alle relative trasposizioni nel diritto nazionale, 8) Per le macchine Allegato IV, 9) Numero di Attestazione, 10) Organismo notificato, 15) norme armonizzate applicate, 16) altre norme e specifiche tecniche applicate, 17) Stabilità a, 18) Data, 19) Nome del firmatario, 20) Funzione, 21) Firma.

lt : 1) **CE atitikties deklaracija (originalas)**, 2) Bendrovė, 3) Adresas, 4) Techninė byla, 5) Žemiau nurodytas įrenginio gamintojas, 6) Pareiškia, kad šis įrenginys, 7) Atitinka toliau nurodytas direktyvas ir j nacionalinius teisės aktus perkeltas į nuostatas, 8) IV priedas dėl mašinų, 9) Sertifikato Nr, 10) Paskelbtoji įstaiga, 15) suderintus standartus naudojamus, 16) Kiti standartai ir techninės specifikacijos, 17) Pasirašyta, 18) Data, 19) Pasirašiusio asmens vardas ir pavardė, 20) Pareigos, 21) Parašas.

lv : 1) **EK atbilstības deklarācija (oriģināls)**, 2) Uzņēmums, 3) Adrese, 4) tehniskās lietas, 5) Tālāk aprakstītās iekārtas ražotājs, 6) Apliecinā, ka šī iekārta, 7) Ir atbilstoša tālāk norādītajām direktīvām un to transpozīcijai nacionālajā likumdošanā, 8) Iekārtām IV pielikumā, 9) Apliecinātais numurs, 10) Reģistrētā organizācija, 15) lietotajiem saskaņotajiem standartiem, 16) lietotajiem tehniskajiem standartiem un specifikācijām, 17) Sastādīts, 18) Datums, 19) Parakstītāja vārds, 20) Amats, 21) Paraksts.

mt : 1) **Dikjarazzjoni ta' Konformità KE (originali)**, 2) Il-kumpanija, 3) Indirizz, 4) fajl tekniku, 5) Manifattrici tal-magna deskritta hawn isfel, 6) Tiddikjara li din il-magna, 7) Hija konformi hija konformi mad-Direttivi segwenti u l-ligijiet li jimplimentawhom fil-ligi nazjonali, 8) Ghall-magni fl-Anness IV, 9) Numru taċ-certifikat, 10) Entità nnotifikata, 15) l-istandards armonizzati użati, 16) standards tekniċi u specifikazzjonijiet oħra użati, 17) Magħmul f, 18) Data, 19) Isem il-firmatarju, 20) Kariga, 21) Firma.

nl : 1) **EG-verklaring van overeenstemming (oorspronkelijke)**, 2) Het bedrijf, 3) Adres, 4) technisch dossier, 5) Constructeur van de hierna genoemde machine, 6) Verklaart dat deze machine, 7) In overeenstemming is met de volgende richtlijnen en hun omzettingen in het nationale recht, 8) Voor machines van bijlage IV, 9) Goedkeuringsnummer, 10) Aangezegde instelling, 15) gehanteerde geharmoniseerde normen, 16) andere gehanteerde technische normen en specificaties, 17) Opgemaakt te, 18) Datum, 19) Naam van ondergetekende, 20) Functie, 21) Handtekening.

no : 1) **CE-samsvarserklæring (original)**, 2) Selskapet, 3) Adresse, 4) tekniske arkiv, 5) Fabrikant av følgende maskin, 6) Erklærer at denne maskinen, 7) Oppfyller kravene i følgende direktiver, med nasjonale gjennomføringsbestemmelser, 8) For maskinene i tillegg IV, 9) Attestnummer, 10) Notifisert organ, 15) harmoniserte standarder som brukes, 16) Andre standarder og spesifikasjoner brukt, 17) Utstedt i, 18) Dato, 19) Underskriverens navn, 20) Stilling, 21) Underskrift.

pl : 1) **Deklaracja zgodności CE (oryginalne)**, 2) Spółka, 3) Adres, 4) dokumentacji technicznej, 5) Wykonawca maszyny opisanej poniżej, 6) Oświadczka, że ta maszyna, 7) Jest zgodna z następującymi dyrektywami i odpowiadającymi przepisami prawa krajowego, 8) Dla maszyn załącznik IV, 9) Numer certyfikatu, 10) Jednostka certyfikująca, 15) zastosowanych norm zharmonizowanych, 16) innych zastosowanych norm technicznych i specyfikacji, 17) Sporządzono w, 18) Data, 19) Nazwisko podpisującego, 20) Stanowisko, 21) Podpis.

pt : 1) **Declaração de conformidade CE (original)**, 2) A empresa, 3) Morada, 4) processo técnico, 5) Fabricante da máquina descrita abaixo, 6) Declara que esta máquina, 7) Está em conformidade às directivas seguintes e às suas transposições para o direito nacional, 8) Para as máquinas no anexo IV, 9) Número de certificado, 10) Entidade notificada, 15) normas harmonizadas utilizadas, 16) outras normas e especificações técnicas utilizadas, 17) Elaborado em, 18) Data, 19) Nome do signatário, 20) Cargo, 21) Assinatura.

ro : 1) **Declarație de conformitate CE (originală)**, 2) Societatea, 3) Adresa, 4) cartii tehnice, 5) Constructor al mașinii descrise mai jos, 6) Declară că prezenta mașină, 7) Este conformă cu directivele următoare și cu transpunerea lor în dreptul național, 8) Pentru mașinile din anexa IV, 9) Număr de atestare, 10) Organism notificat, 15) standardele armonizate utilizate, 16) alte standarde și specificații tehnice utilizate, 17) Întocmit la, 18) Data, 19) Numele persoanei care semnează, 20) Funcția, 21) Semnătura.

sk : 1) **ES vyhlásenie o zhode (pôvodný)**, 2) Názov spoločnosti, 3) Adresa, 4) technickej dokumentácie, 5) Výrobca nižšie opísaného stroja, 6) Vyhlasuje, že tento stroj, 7) Je v súlade s nasledujúcimi směrnicami a směrnicami transponovanými do vnútroštátneho práva, 8) Pre stroje v prílohe IV, 9) Číslo certifikátu, 10) Notifikačný orgán, 15) použité harmonizované normy, 16) použité iné technické normy a predpisy, 17) Miesto vydania, 18) Dátum vydania, 19) Meno podpisujúceho, 20) Funkcia, 21) Podpis.

sl : 1) **ES Izjava o ustreznosti (izvirna)**, 2) Družba, 3) Naslov, 4) tehnične dokumentacije, 5) Proizvajalac tukaj opisanega stroja, 6) Izjavlja, da je ta stroj, 7) Ustreza naslednjim direktivam in njihovi transpoziciji v državno pravo, 8) Za stroje priloga IV, 9) Številka potrdila, 10) Obvestilo organu, 15) uporabljene harmonizirane standarde, 16) druge uporabljene tehnične standarde in zahteve, 17) V, 18) Datum, 19) Ime podpisnika, 20) Funkcija, 21) Podpis.

sv : 1) **CE-försäkran om överensstämmelse (original)**, 2) Företaget, 3) Adress, 4) tekniska dokumentationen, 5) Konstruktor av nedan beskrivna maskin, 6) Försäkrar att denna maskin, 7) Överensstämmer med nedanstående direktiv och införlivandet av dem i nationell rätt, 8) För maskinerna i bilaga IV, 9) Nummer för godkännande, 10) Organism som underrättats, 15) Harmoniserade standarder som använts, 16) andra tekniska standarder och specifikationer som använts, 17) Upprättat i, 18) Datum, 19) Namn på den som undertecknat, 20) Befattning, 21) Namnteckning.

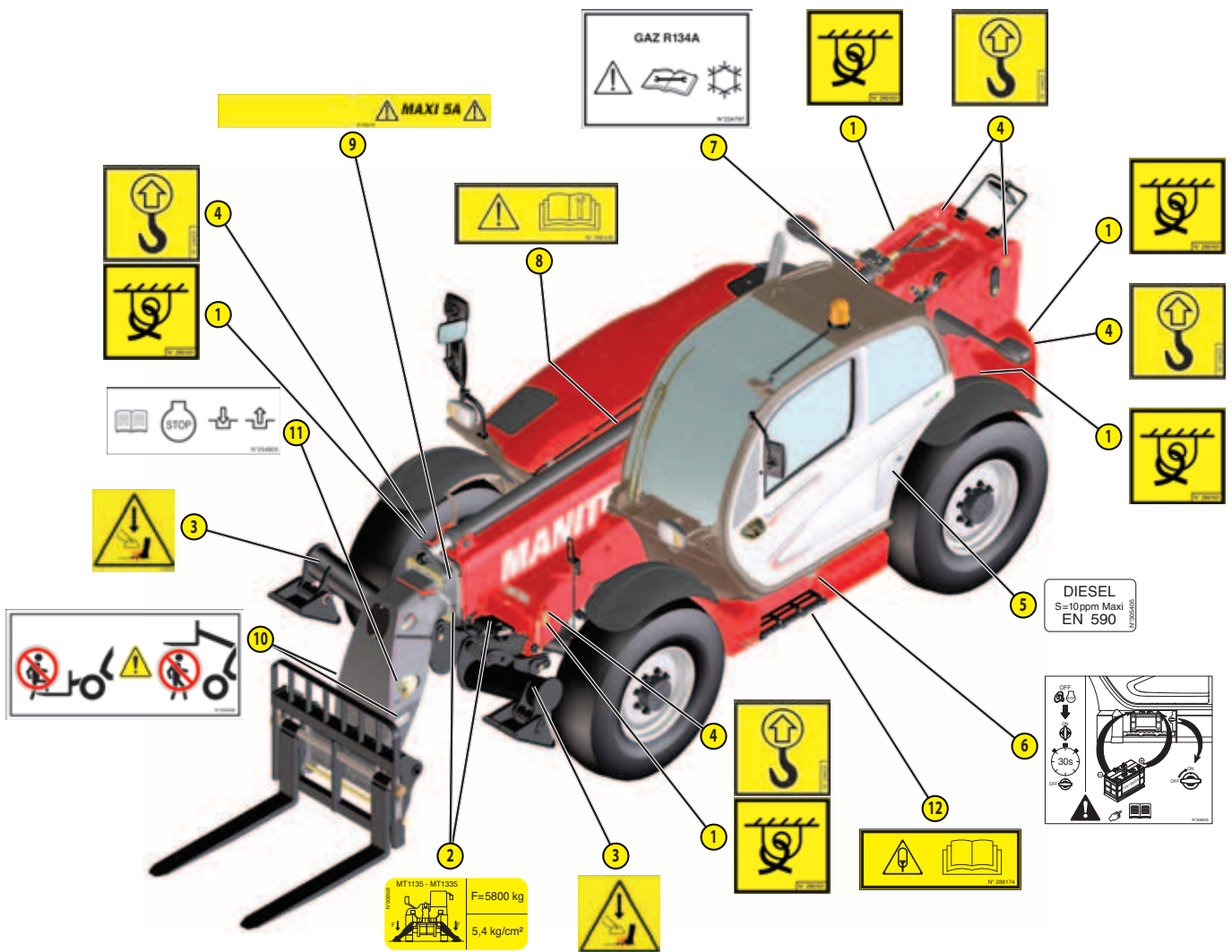
SAFETY PLATES AND STICKERS

⚠ IMPORTANT ⚠

Clean all of the stickers and safety plates to make them legible.
It is essential to replace stickers and safety plates which are illegible or damaged.
Check the presence of stickers and safety plates after replacing any spare parts.

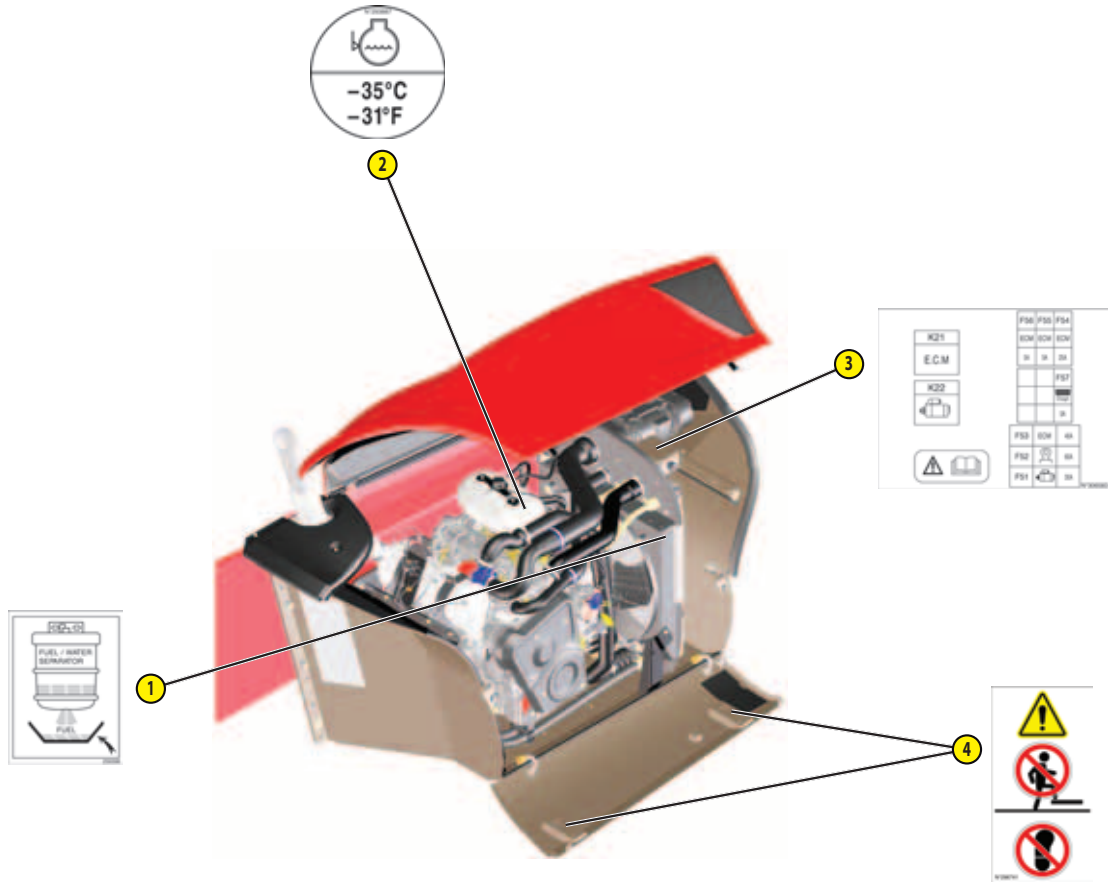
EXTERNAL PLATES AND STICKERS

REF	PART NUMBER	DESCRIPTION
1	289101	- Tie-down point
2	308526	- Load on stabilizer MT 1135 ST3B / MT 1335 ST3B
3	275329	- Stabilizer crushing risk MT 1135 ST3B / MT 1335 ST3B
4	24653	- Slings point
5	305405	- Diesel fuel
6	296733	- Battery cut-off instruction
7	234797	- Air conditioning (option)
8	288430	- Repair instruction
9	264476	- Electrical jib provision (option)
10	296998	- Maniscopic safety instruction
11	234805	- Hydraulic coupling instruction
12	288174	- Accumulator Instructions



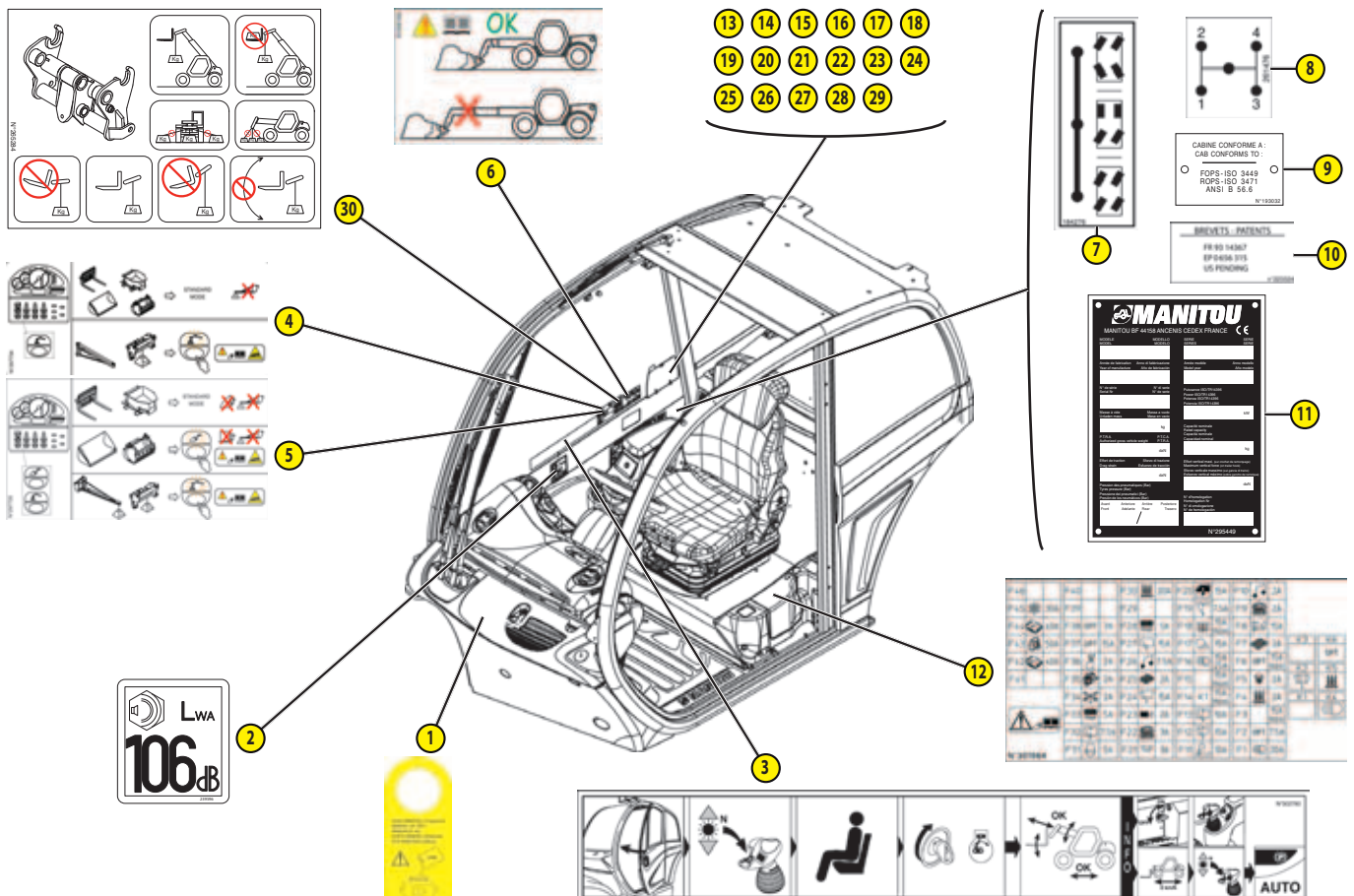
STICKERS AND PLATES UNDER THE ENGINE HOOD

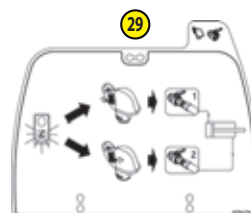
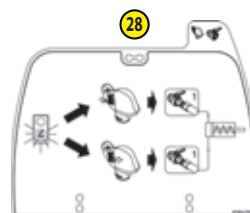
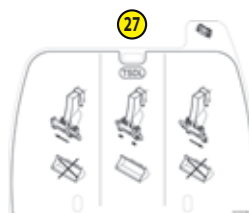
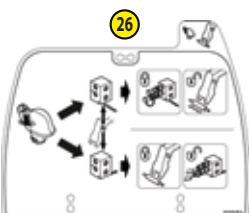
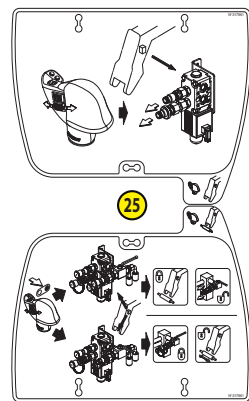
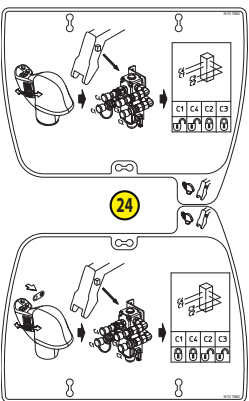
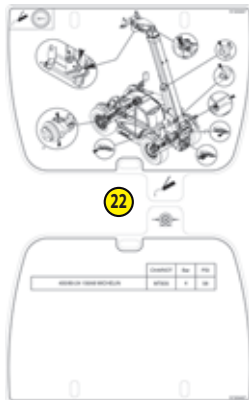
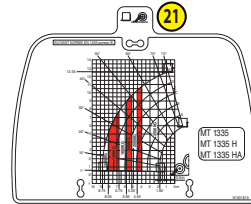
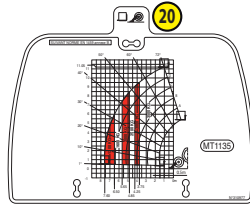
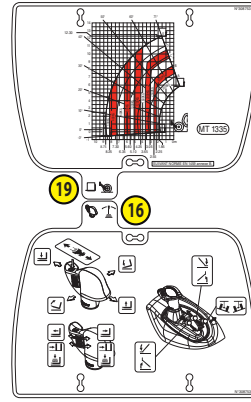
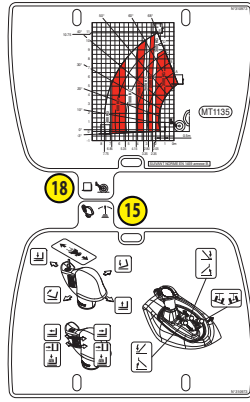
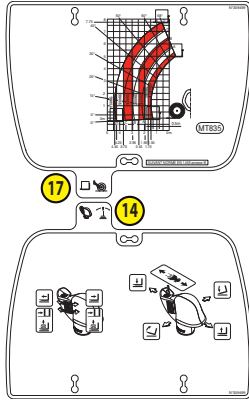
REF	PART NUMBER	DESCRIPTION
1	259398	- Water/diesel separator
2	293887	- Anti-freeze
3	306583	- Engine fuse
4	296741	- "Do not mount" safety instruction



STICKERS AND PLATES IN THE CAB

REF	PART NUMBER	DESCRIPTION
1	268491	- Brake fluid instruction
2	239596	- Sound power level 106dB
3	302780	- Driver presence/start-up instruction
4	297734	- Operating mode management instruction MT 1335 ST3B
5	297735	- Operating mode management instruction MT 835 ST3B / MT 1135 ST3B
6	290183	- Bucket instruction on telescope
7	184276	- Steering selection
8	261476	- Gear lever
9	193032	- Cab compliance
10	223324	- Patents
11	Consult your dealer	- Manufacturer's plate
12	301984	- Fuses
13	261307	- Reach chart sheet
14	309499	- Manipulator function MT 835 ST3B
15	310973	- Manipulator function MT 1135 ST3B
16	308753	- Manipulator function MT 1335 ST3B
17	Consult your dealer	- Load chart MT 835 ST3B
18	Consult your dealer	- Load chart without stabilisers MT 1135 ST3B
19	Consult your dealer	- Load chart without stabilisers MT 1335 ST3B
20	Consult your dealer	- Load chart on stabilisers MT 1135 ST3B
21	Consult your dealer	- Load chart on stabilisers MT 1335 ST3B
22	309497	- Greasing instruction + tyre pressure MT 835 ST3B
23	301991	- Greasing instruction + tyre pressure MT 1135 ST3B / MT 1335 ST3B
24	317962	- Jib head electrovalve (option)
25	317961	- Jib head electrovalve + hydraulic attachment locking (option)
26	305153	- Hydraulic attachment locking (option)
27	272186	- Using bucket on single side-shift carriage (option)
28	304715	- Single-acting hydraulic control provision (option)
29	304716	- Double-acting hydraulic control provision (option)
30	265284	- Lifting ring on single carriage (option)





IDENTIFICATION OF THE LIFT TRUCK

As our policy is to promote a constant improvement of our products, our range of telescopic lift trucks may undergo certain modifications, without obligation for us to advise our customers.

When you order parts, or when you require any technical information, always specify:

NOTE: For the owner's convenience, it is recommended that a note of these numbers is made in the spaces provided, at the time of the delivery of the lift truck.

LIFT TRUCK MANUFACTURER'S PLATE

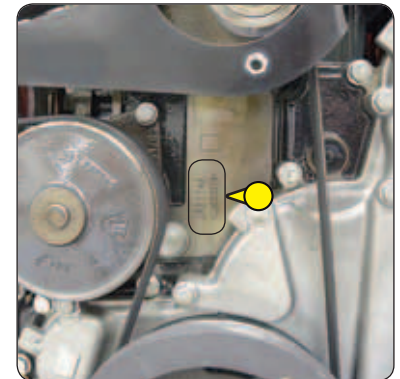
- 1 - MODEL
- 2 - SERIES
- 3 - Year of manufacture
- 4 - Model year
- 5 - Serial Nr
- 6 - Power ISO 3046
- 7 - Unladen mass
- 8 - Authorized gross vehicle weight
- 9 - Rated capacity
- 10 - Drag strain
- 11 - Maximun vertical force (on trailer hook)
- 12 - Tyres pressure (bar)
- 13 - Homologation Nr

MANITOU			
MANITOU BF 44158 ANGENIS CEDEX FRANCE			
MODELLO	MODELLO	SERIE	SERIE
1	2	3	4
Area de fabricație	Area de fabricație	Area model	Area model
Year of manufacture	Year of manufacture	Model year	Model year
N° de serie	N° de serie	Potenza ISO/TR4036	Potenza ISO/TR4036
5	6	7	8
Massa a vide	Massa a vide	Capacitate nominala	Capacitate nominala
Unladen mass	Unladen mass	kg	kg
P.T.R.A.	P.T.R.A.	Capacitate nominala	Capacitate nominala
Authorized gross vehicle weight	Authorized gross vehicle weight	kg	kg
8	9	10	11
Effort de traction	Effort de traction	Effort vertical max. sur cable d'attelage	Effort vertical max. sur cable d'attelage
Drag strain	Drag strain	Maximum vertical force (on trailer hook)	Maximum vertical force (on trailer hook)
12	13	14	15
Pression des pneumatiques (Bar)	Pression des pneumatiques (Bar)	N° d'homologation	N° d'homologation
Tyre pressure (Bar)	Tyre pressure (Bar)	Homologation No	Homologation No
Pression dei pneumatici (Bar)	Pression dei pneumatici (Bar)	N° de omologare	N° de omologare
Fluat	Anterior	Anterior	Posterior
Front	Anterior	Rear	Rear
N°295449			

For any further technical information regarding your lift truck refer to chapter: 2 - DESCRIPTION: CHARACTERISTICS.

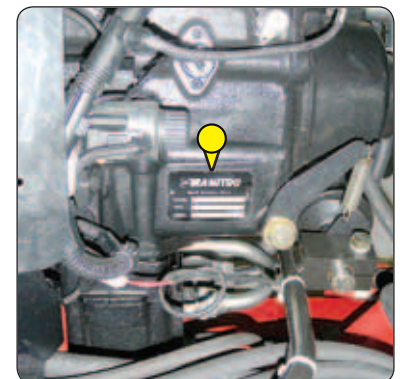
I.C. ENGINE

- I.C. engine Nr



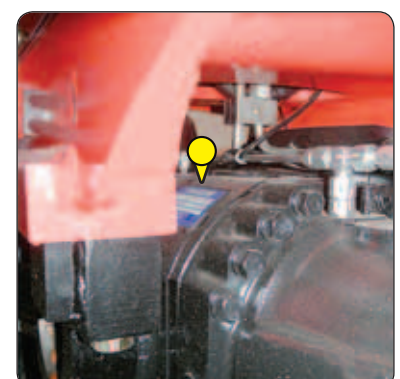
GEAR BOX

- Type
- MANITOU reference
- Serial Nr



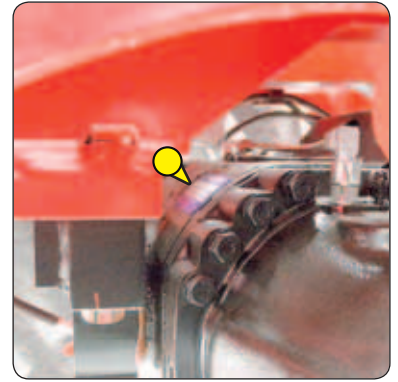
FRONT AXLE

- Type
- Serial Nr
- MANITOU reference



REAR AXLE

- Type
- Serial Nr
- MANITOU reference



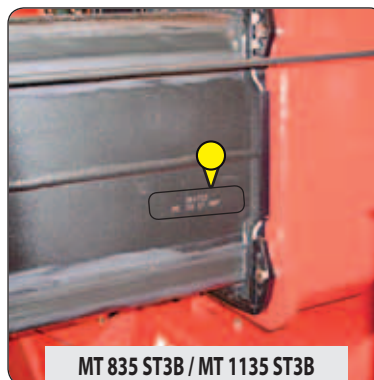
CAB

- Type
- Serial Nr



BOOM

- MANITOU reference
- Date of manufacture



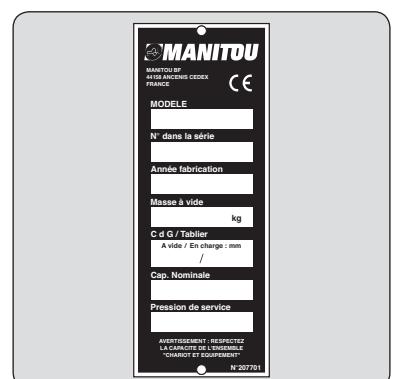
CHASSIS

- Lift truck serial Nr



PLATE MANUFACTURER OF THE ATTACHMENT

- Model
- Serial Nr
- Year of manufacture



CHARACTERISTICS

MT 835 ST3B

I.C. ENGINE		
Type		PERKINS 854E-E34TA JR51746
Fuel		Diesel
Number of cylinders		4 in line
Suction		Supercharged
Injection system		Direct
Ignition sequence		1.3.4.2
Capacity	cm ³	3400
Bore and stroke	mm	99 x 110
Compression ratio		17:1
Nominal speed laden	rpm	2200
Idling speed slow unladen	rpm	850
Max. speed unladen	rpm	2350
Power ISO/TR 3046	cv - kW	102 - 75
Power SAE J 1995	cv - kW	102 - 75
Maximum torque ISO/TR 3046	Nm	420 to 1400 rpm
Gravimetric efficiency ISO 5011	%	99,9
Type of cooling		By water
Fan		Puller

TRANSMISSION		
Gear box		DANA
- Type		Mechanical
- Forward/reverse selector		Electro-hydraulic
- Torque converter		DANA
- Number of forward speeds		4
- Number of reverse speeds		4
Angle gear box		-
Front axle		DANA
- Differential		Without locking
Rear axle		DANA
- Differential		Without locking
Drive wheels		4RM Permanent
- Switch for 2/4 drive wheels		No
Front tyres		MICHELIN
- Size		400/80-24 156A8 POWER CL
- Pressure	bar	4
Rear tyres		MICHELIN
- Size		400/80-24 156A8 POWER CL
- Pressure	bar	4

ELECTRIC CIRCUIT		
Battery	STANDARD	12 V - 110 Ah - 900 A EN
	OPTION	12 V - 180 Ah - 1200 A EN
Alternator		12 V - 100 A
- Type		ISKRA AAK-EF
Starter		12 V - 3,2 kW
- Type		ISKRA AZE

BRAKE CIRCUIT		
Service brake		Hydraulic power brake
- Type of brake		Multidisk brake immersed in oil
- Type of control		Foot-operated for the front and rear axles
Parking brake		Low pressure brake
- Type of brake		Disk on gear-box output
- Type of control		Electro-hydraulic

SOUND AND VIBRATION		
Sound pressure level in the driver's cab LpA (according to standard NF EN 12053)	dB(A)	82 (cab closed) ; xx (cab open)
Sound pressure (according to directive 2009/76)	dB(A)	xx (cab closed) ; xx (cab open)
Sound pressure level ensured in the LwA environment (according to directive 2000/14/EC modified by directive 2005/88/EC)	dB(A)	105 (measured) ; 106 (ensured)
Sound level in motion (according to directive 2009/63)	dB(A)	xx
Average weighted acceleration on driver's body (according to standard NF EN 13059)	m/s ²	2
The average weighted acceleration transmitted to the driver's hand/ arm system (according to standard ISO 5349-2)	m/s ²	< 2,5
Standard seat vibration	m/s ²	xx (lightweight operator) ; xx (heavyweight operator)

HYDRAULIC CIRCUIT			
Hydraulic pump		Gear pump with flow divider on 2nd casing	
- Type		1st casing	2nd casing
- Capacity	cm ³	31	22
- Max. rating capacity unladen	l/mn	72	52
- Flow rate at 1600 rpm	l/mn	49	35
Filtration			
- Return	µm	10	10
- Suction	µm	135	135
Maximum service pressure		270	
- Telescoping circuit	bar	200 / 270	
- Lifting circuit	bar	280 / 280	
- Tilt circuit	bar	280 / 200	
- Stabilizers Circuit	bar	270	
- Tilting corrector circuit	bar	140	
- Attachment circuit	bar	270	
- Steering circuit	bar	140	

HYDRAULIC MOVEMENTS			
Longitudinal stability limiter and warning device		Electronic	
Lifting motions (boom retracted)			
- Unladen lifting	s - m/mn	6,6 - 45,5	
- Laden lifting	s - m/mn	11,0 - 27,3	
- Unladen lowering	s - m/mn	6,0 - 50,0	
- Laden lowering	s - m/mn	5,0 - 60,0	
Telescoping motions (boom raised)			
- Unladen extending	s - m/mn	6,0 - 29,8	
- Laden extending	s - m/mn	6,0 - 29,8	
- Unladen retracting	s - m/mn	5,6 - 31,9	
- Laden retracting	s - m/mn	5,2 - 34,3	
Tilting movements			
- Unladen digging	s - °/s	3,2 - 39,4	
- Forward tilting unladen	s - °/s	3,0 - 42,1	

SPECIFICATIONS AND WEIGHTS			
Speed of movement for lift truck in standard configuration on flat ground (except particular conditions)			
Front unladen	1	km/h	5,1
	2	km/h	8,1
	3	km/h	15,2
	4	km/h	25,7
Rear unladen	1	km/h	5,1
	2	km/h	8,1
	3	km/h	15,2
	4	km/h	25,7
Standard attachment		TFF35 MT1040	
- Weight with forks	kg	160	
- Weight of forks (each one)	kg	70	
Rated capacity with standard attachment		kg	
Distance from the centre of gravity from the load to the lug of the forks		mm	
Standard lifting height		mm	
Lift truck weight without attachment		kg	
Lift truck weight with standard attachment			
- Unladen	kg	7195	
- At rated load	kg	10695	
Weight per axle with standard attachment (transport position)			
- Front unladen	kg	3455	
- Rear unladen	kg	3740	
- Front rated load	kg	9535	
- Rear rated load	kg	1160	
Weight per axle with standard attachment (boom extended)			
- Front rated load	kg	7725	
- Rear rated load	kg	620	
Drag strain on the coupling hook			
- Unladen (sliding)	daN	6190	
- At rated load (transmission setting)	daN	8230	
Pull strain with open carrier (according to standard ISO 8313)		daN	
		6264	

CHARACTERISTICS MT 1135 ST3B

I.C. ENGINE		
Type		PERKINS 854E-E34TA JR51746
Fuel		Diesel
Number of cylinders		4 in line
Suction		Supercharged
Injection system		Direct
Ignition sequence		1.3.4.2
Capacity	cm ³	3400
Bore and stroke	mm	99 x 110
Compression ratio		17:1
Nominal speed laden	rpm	2200
Idling speed slow unladen	rpm	850
Max. speed unladen	rpm	2350
Power ISO/TR 3046	cv - kW	102 - 75
Power SAE J 1995	cv - kW	102 - 75
Maximum torque ISO/TR 3046	Nm	420 to 1400 rpm
Gravimetric efficiency ISO 5011	%	99,9
Type of cooling		By water
Fan		Puller

TRANSMISSION		
Gear box		DANA
- Type		Mechanical
- Forward/reverse selector		Electro-hydraulic
- Torque converter		DANA
- Number of forward speeds		4
- Number of reverse speeds		4
Angle gear box		-
Front axle		DANA
- Differential		Without locking
Rear axle		DANA
- Differential		Without locking
Drive wheels		4RM Permanent
- Switch for 2/4 drive wheels		No
Front tyres		MICHELIN
- Size		400/80-24 156A8 POWER CL
- Pressure	bar	4
Rear tyres		MICHELIN
- Size		400/80-24 156A8 POWER CL
- Pressure	bar	4

ELECTRIC CIRCUIT		
Battery	STANDARD	12 V - 110 Ah - 900 A EN
	OPTION	12 V - 180 Ah - 1200 A EN
Alternator		12 V - 100 A
- Type		ISKRA AAK-EF
Starter		12 V - 3,2 kW
- Type		ISKRA AZE

BRAKE CIRCUIT		
Service brake		Hydraulic power brake
- Type of brake		Multidisk brake immersed in oil
- Type of control		Foot-operated for the front and rear axles
Parking brake		Low pressure brake
- Type of brake		Disk on gear-box output
- Type of control		Electro-hydraulic

SOUND AND VIBRATION		
Sound pressure level in the driver's cab LpA (according to standard NF EN 12053)	dB(A)	82 (cab closed) ; xx (cab open)
Sound pressure (according to directive 2009/76)	dB(A)	xx (cab closed) ; xx (cab open)
Sound pressure level ensured in the LwA environment (according to directive 2000/14/EC modified by directive 2005/88/EC)	dB(A)	105 (measured) ; 106 (ensured)
Sound level in motion (according to directive 2009/63)	dB(A)	xx
Average weighted acceleration on driver's body (according to standard NF EN 13059)	m/s ²	2
The average weighted acceleration transmitted to the driver's hand/ arm system (according to standard ISO 5349-2)	m/s ²	< 2,5
Standard seat vibration	m/s ²	xx (lightweight operator) ; xx (heavyweight operator)

HYDRAULIC CIRCUIT			
Hydraulic pump		Gear pump with flow divider on 2nd casing	
- Type		1st casing	2nd casing
- Capacity	cm ³	31	22
- Max. rating capacity unladen	l/mn	72	52
- Flow rate at 1600 rpm	l/mn	49	35
Filtration			
- Return	µm	10	10
- Suction	µm	135	135
Maximum service pressure		270	
- Telescoping circuit	bar	180 / 270	
- Lifting circuit	bar	280 / 280	
- Tilt circuit	bar	280 / 200	
- Stabilizers Circuit	bar	270	
- Tilting corrector circuit	bar	270	
- Attachment circuit	bar	270	
- Steering circuit	bar	140	

HYDRAULIC MOVEMENTS			
Longitudinal stability limiter and warning device		Electronic	
Lifting motions (boom retracted)			
- Unladen lifting	s - m/mn	8,5 - 37,1	
- Laden lifting	s - m/mn	9,3 - 33,9	
- Unladen lowering	s - m/mn	7 - 45	
- Laden lowering	s - m/mn	6,8 - 46,3	
Telescoping motions (boom raised)			
- Unladen extending	s - m/mn	13 - 5,2	
- Laden extending	s - m/mn	35 - 14	
- Unladen retracting	s - m/mn	9 - 20,2	
- Laden retracting	s - m/mn	8,5 - 21,4	
Tilting movements			
- Unladen digging	s - °/s	3 - 42,1	
- Forward tilting unladen	s - °/s	3 - 42,1	

SPECIFICATIONS AND WEIGHTS			
Speed of movement for lift truck in standard configuration on flat ground (except particular conditions)			
Front unladen	1	km/h	5,1
	2	km/h	8,1
	3	km/h	15,2
	4	km/h	25,7
Rear unladen	1	km/h	5,1
	2	km/h	8,1
	3	km/h	15,2
	4	km/h	25,7
Standard attachment		TFF35 MT1040	
- Weight with forks	kg	160	
- Weight of forks (each one)	kg	70	
Rated capacity with standard attachment	kg	3500	
Tipping load at maximum reach on stabilisers	kg	1200	
Distance from the centre of gravity from the load to the lug of the forks	mm	500	
Standard lifting height	mm	11005	
Lift truck weight without attachment	kg	8475	
Lift truck weight with standard attachment			
- Unladen	kg	8775	
- At rated load	kg	12275	
Weight per axle with standard attachment (transport position)			
- Front unladen	kg	4415	
- Rear unladen	kg	4360	
- Front rated load	kg	10765	
- Rear rated load	kg	1510	
Weight per axle with standard attachment (boom extended)			
- Front rated load	kg	8655	
- Rear rated load	kg	520	
Contact pressure on the ground for the whole surface of each stabilizer at maximum load when tilting	kg/cm ²	4,8	
Drag strain on the coupling hook			
- Unladen (sliding)	daN	6910	
- At rated load (transmission setting)	daN	9150	
Pull strain with open carrier (according to standard ISO 8313)	daN	6305	

I.C. ENGINE		
Type		PERKINS 854E-E34TA JR51746
Fuel		Diesel
Number of cylinders		4 in line
Suction		Supercharged
Injection system		Direct
Ignition sequence		1.3.4.2
Capacity	cm ³	3400
Bore and stroke	mm	99 x 110
Compression ratio		17:1
Nominal speed laden	rpm	2200
Idling speed slow unladen	rpm	850
Max. speed unladen	rpm	2350
Power ISO/TR 3046	cv - kW	102 - 75
Power SAE J 1995	cv - kW	102 - 75
Maximum torque ISO/TR 3046	Nm	420 to 1400 rpm
Gravimetric efficiency ISO 5011	%	99,9
Type of cooling		By water
Fan		Puller

TRANSMISSION		
Gear box		DANA
- Type		Mechanical
- Forward/reverse selector		Electro-hydraulic
- Torque converter		DANA
- Number of forward speeds		4
- Number of reverse speeds		4
Angle gear box		-
Front axle		DANA
- Differential		Without locking
Rear axle		DANA
- Differential		Without locking
Drive wheels		4RM Permanent
- Switch for 2/4 drive wheels		No
Front tyres		MICHELIN
- Size		400/80-24 156A8 POWER CL
- Pressure	bar	4
Rear tyres		MICHELIN
- Size		400/80-24 156A8 POWER CL
- Pressure	bar	4

ELECTRIC CIRCUIT		
Battery	STANDARD	12 V - 110 Ah - 900 A EN
	OPTION	12 V - 180 Ah - 1200 A EN
Alternator		12 V - 100 A
- Type		ISKRA AAK-EF
Starter		12 V - 3,2 kW
- Type		ISKRA AZE

BRAKE CIRCUIT		
Service brake		Hydraulic power brake
- Type of brake		Multidisk brake immersed in oil
- Type of control		Foot-operated for the front and rear axles
Parking brake		Low pressure brake
- Type of brake		Disk on gear-box output
- Type of control		Electro-hydraulic

SOUND AND VIBRATION		
Sound pressure level in the driver's cab LpA (according to standard NF EN 12053)	dB(A)	82 (cab closed) ; xx (cab open)
Sound pressure (according to directive 2009/76)	dB(A)	xx (cab closed) ; xx (cab open)
Sound pressure level ensured in the LwA environment (according to directive 2000/14/EC modified by directive 2005/88/EC)	dB(A)	105 (measured) ; 106 (ensured)
Sound level in motion (according to directive 2009/63)	dB(A)	xx
Average weighted acceleration on driver's body (according to standard NF EN 13059)	m/s ²	2
The average weighted acceleration transmitted to the driver's hand/ arm system (according to standard ISO 5349-2)	m/s ²	< 2,5
Standard seat vibration	m/s ²	xx (lightweight operator) ; xx (heavyweight operator)

HYDRAULIC CIRCUIT			
Hydraulic pump		Gear pump with flow divider on 2nd casing	
- Type		1st casing	2nd casing
- Capacity	cm ³	31	22
- Max. rating capacity unladen	l/mn	72	52
- Flow rate at 1600 rpm	l/mn	49	35
Filtration			
- Return	µm	10	10
- Suction	µm	135	135
Maximum service pressure		270	
- Telescoping circuit	bar	180 / 270	
- Lifting circuit	bar	280 / 280	
- Tilt circuit	bar	280 / 200	
- Stabilizers Circuit	bar	270	
- Tilting corrector circuit	bar	270	
- Attachment circuit	bar	270	
- Steering circuit	bar	140	

HYDRAULIC MOVEMENTS			
Longitudinal stability limiter and warning device		Electronic	
Lifting motions (boom retracted)			
- Unladen lifting	s - m/mn	9,8 - 36,1	
- Laden lifting	s - m/mn	10,4 - 34,0	
- Unladen lowering	s - m/mn	8,2 - 43,2	
- Laden lowering	s - m/mn	8,2 - 43,2	
Telescoping motions (boom raised)			
- Unladen extending	s - m/mn	14,2 - 13,6	
- Laden extending	s - m/mn	15,4 - 14,8	
- Unladen retracting	s - m/mn	9,7 - 21,6	
- Laden retracting	s - m/mn	11,1 - 18,9	
Tilting movements			
- Unladen digging	s - °/s	2,7 - 46,7	
- Forward tilting unladen	s - °/s	2,8 - 45,1	

SPECIFICATIONS AND WEIGHTS			
Speed of movement for lift truck in standard configuration on flat ground (except particular conditions)			
Front unladen	1	km/h	5,1
	2	km/h	8,1
	3	km/h	15,2
	4	km/h	25,7
Rear unladen	1	km/h	5,1
	2	km/h	8,1
	3	km/h	15,2
	4	km/h	25,7
Standard attachment		TFF35 MT1040	
- Weight with forks	kg	160	
- Weight of forks (each one)	kg	70	
Rated capacity with standard attachment	kg	3500	
Tipping load at maximum reach on stabilisers	kg	1000	
Distance from the centre of gravity from the load to the lug of the forks	mm	500	
Standard lifting height	mm	12550	
Lift truck weight without attachment	kg	8780	
Lift truck weight with standard attachment			
- Unladen	kg	9080	
- At rated load	kg	12580	
Weight per axle with standard attachment (transport position)			
- Front unladen	kg	4380	
- Rear unladen	kg	4700	
- Front rated load	kg	10910	
- Rear rated load	kg	1670	
Weight per axle with standard attachment (boom extended)			
- Front rated load	kg	8980	
- Rear rated load	kg	400	
Contact pressure on the ground for the whole surface of each stabilizer at maximum load when tilting	kg/cm ²	4,8	
Drag strain on the coupling hook			
- Unladen (sliding)	daN	7400	
- At rated load (transmission setting)	daN	9800	
Pull strain with open carrier (according to standard ISO 8313)	daN	6346	

FRONT AND REAR TIRES

MT 835 ST3B		PRESSURE (bar)	TYRE LOAD (kg)			
MICHELIN	400/80-24 156A8 POWER CL		4	FRONT UNLADEN	FRONT LADEN	REAR UNLADEN
			1750	4750	1850	600

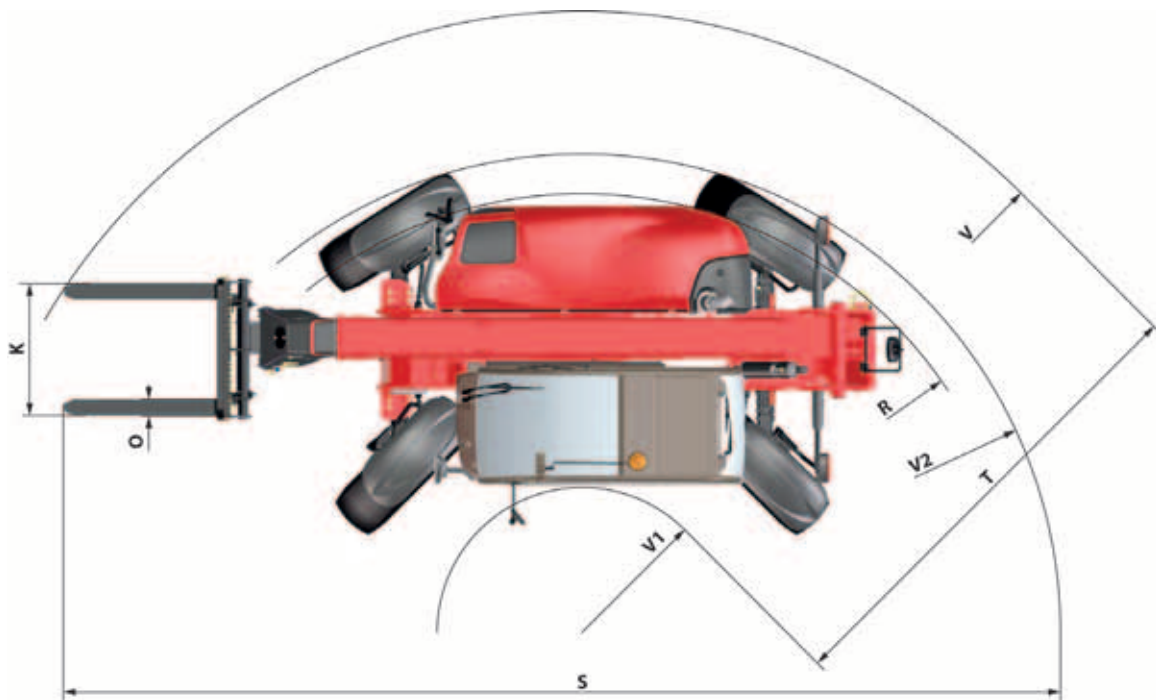
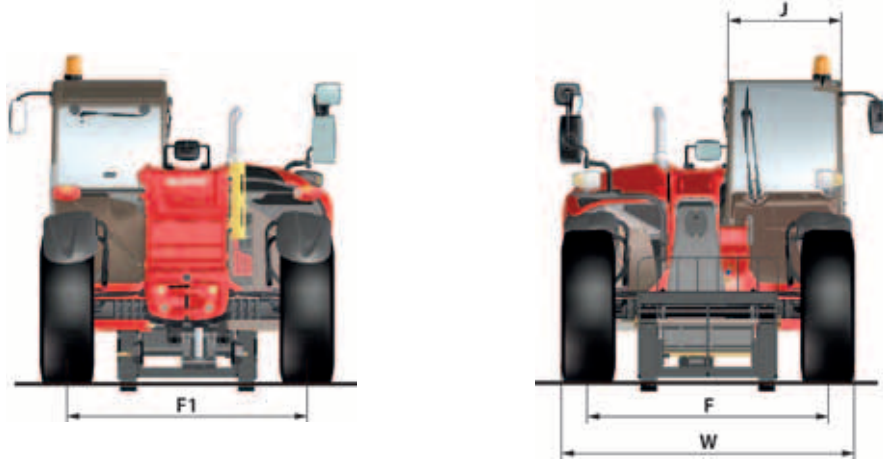
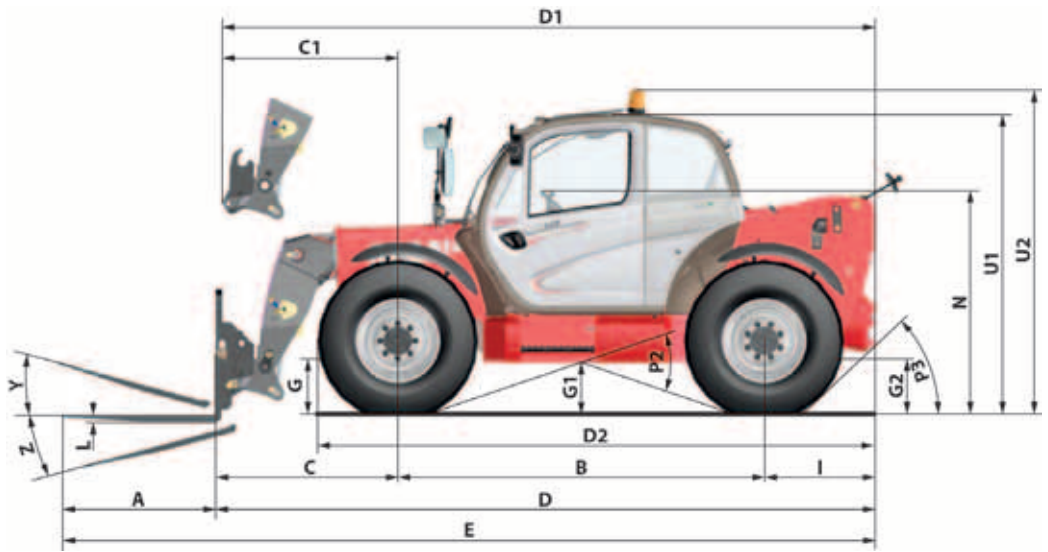
MT 1135 ST3B		PRESSURE (bar)	TYRE LOAD (kg)			
MICHELIN	400/80-24 156A8 POWER CL		4	FRONT UNLADEN	FRONT LADEN	REAR UNLADEN
			2200	5400	2200	750

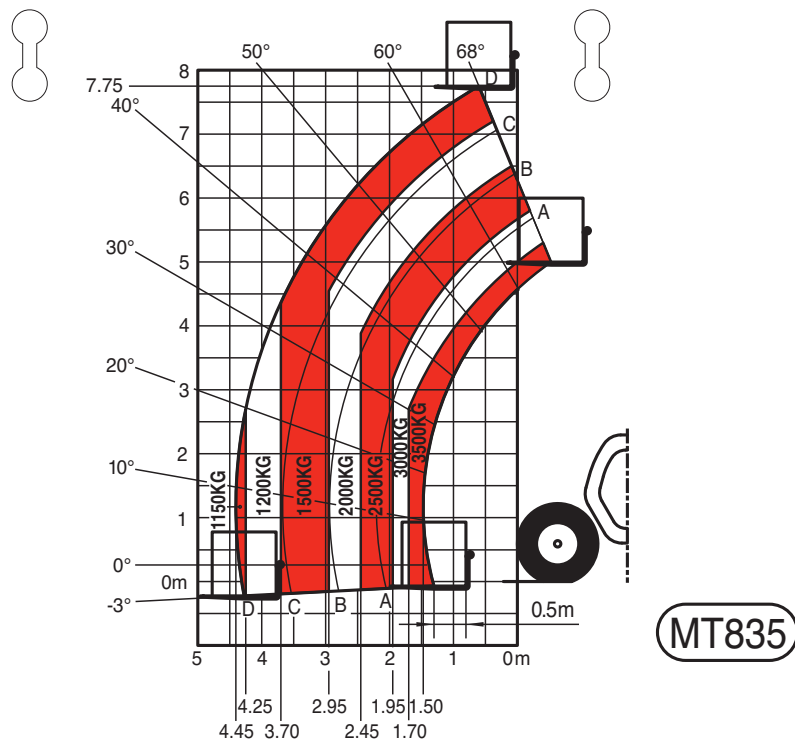
MT 1335 ST3B		PRESSURE (bar)	TYRE LOAD (kg)			
MICHELIN	400/80-24 156A8 POWER CL		4	FRONT UNLADEN	FRONT LADEN	REAR UNLADEN
			2200	5450	2350	850

		PRESSURE (bar)	LOAD (kg)	PRESSURE ON THE CONTACT SURFACE (kg/cm ²)		AREA OF THE CONTACT SURFACE (cm ²)	
				HARD SOIL	LOOSE SOIL	HARD SOIL	LOOSE SOIL
				MICHELIN	400/80-24 156A8 POWER CL	4	600
		4	750	7,06	2,69	106	277
		4	850	7,33	2,79	116	305
		4	1750	8,93	3,33	196	525
		4	1850	9,02	3,38	205	547
		4	2200	9,48	3,53	232	623
		4	2350	9,67	3,59	243	655
		4	4750	11,70	4,28	406	1111
		4	5400	12,11	4,41	446	1223
		4	5450	12,14	4,42	449	1232

DIMENSIONS AND LOAD CHART MT 835 ST3B

A	mm	1200
B	mm	2880
C	mm	1603
C1	mm	1375
D	mm	5348
D1	mm	5120
D2	mm	4203
E	mm	6548
F	mm	1846
F1	mm	1846
G	mm	445
G1	mm	415
G2	mm	445
I	mm	865
J	mm	884
K	mm	1040
L	mm	45
N	mm	1740 - 1803
O	mm	125
P2	°	38
P3	°	44
R	mm	3460
S	mm	7910
T	mm	3745
U1	mm	2419
U2	mm	2559
V	mm	4885
V1	mm	1140
V2	mm	3667
W	mm	2260
Y	°	12
Z	°	114



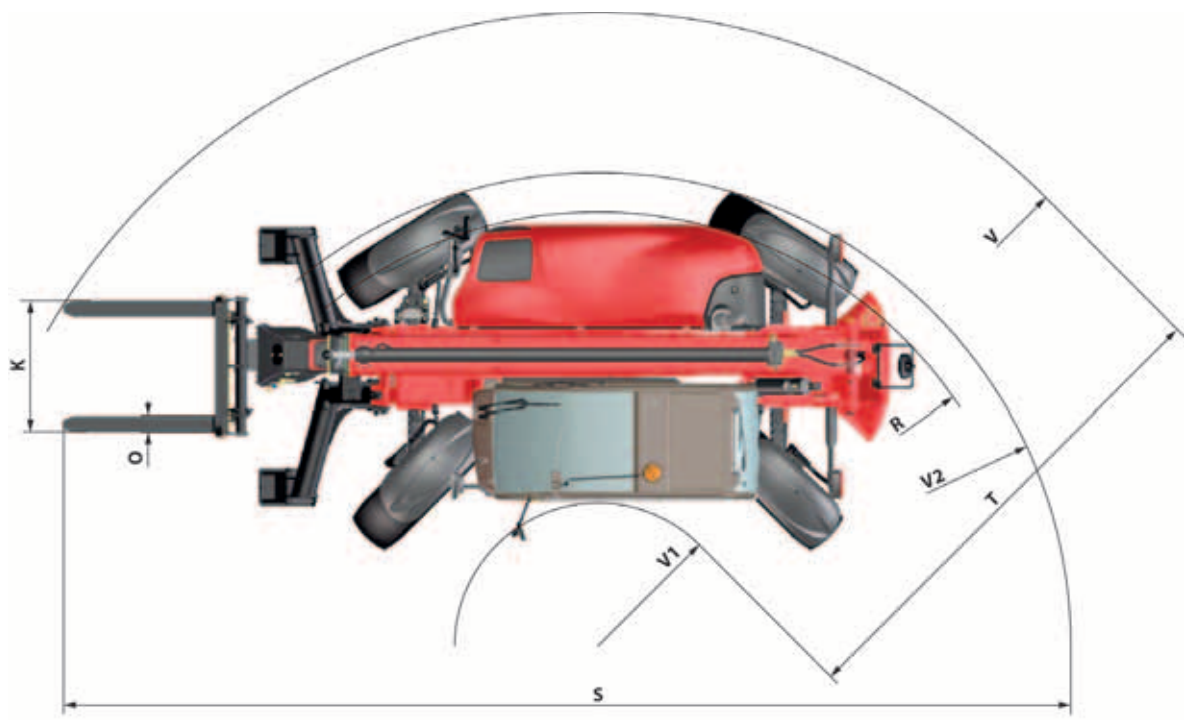
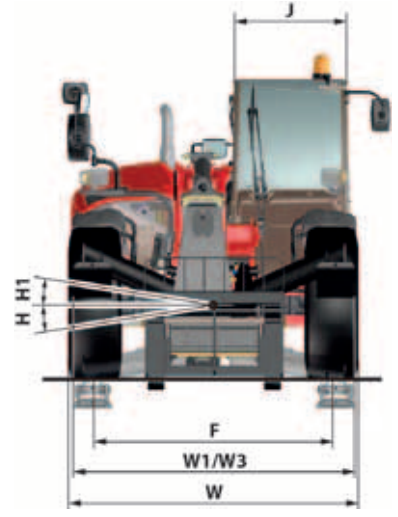
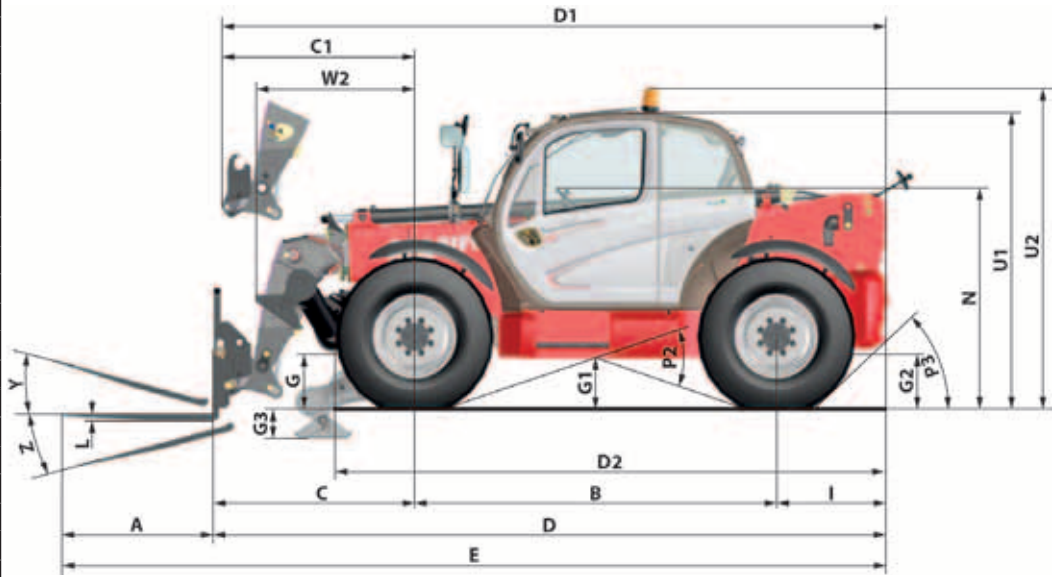


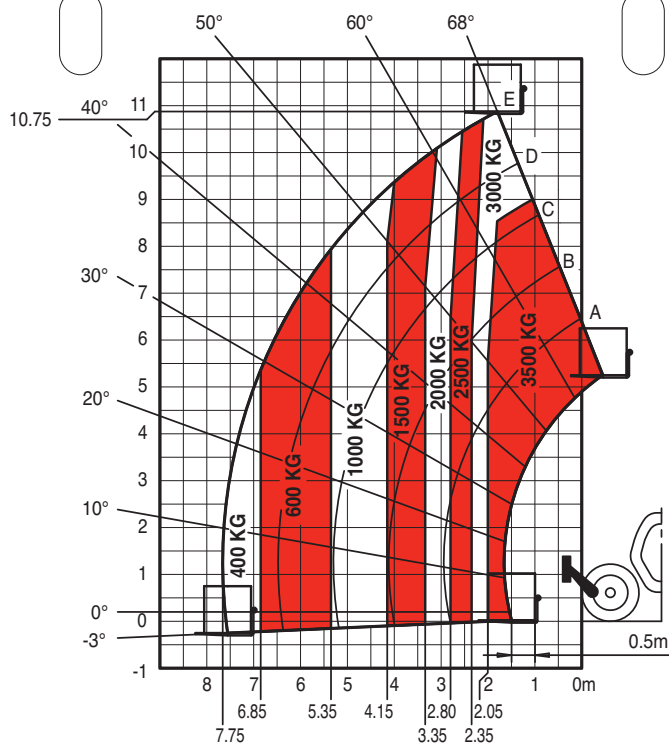
SUIVANT NORME EN 1459 annexe B.



DIMENSIONS AND LOAD CHART MT 1135 ST3B

A	mm	
B	mm	
C	mm	
C1	mm	
D	mm	
D1	mm	
D2	mm	
E	mm	
F	mm	
F1	mm	
G	mm	
G1	mm	
G2	mm	
G3	mm	
H	°	
H1	°	
I	mm	
J	mm	
K	mm	
L	mm	
N	mm	
O	mm	
P2	°	
P3	°	
R	mm	
S	mm	
T	mm	
U1	mm	
U2	mm	
V	mm	
V1	mm	
V2	mm	
W	mm	
W1	mm	
W2	mm	
W3	mm	
Y	°	
Z	°	



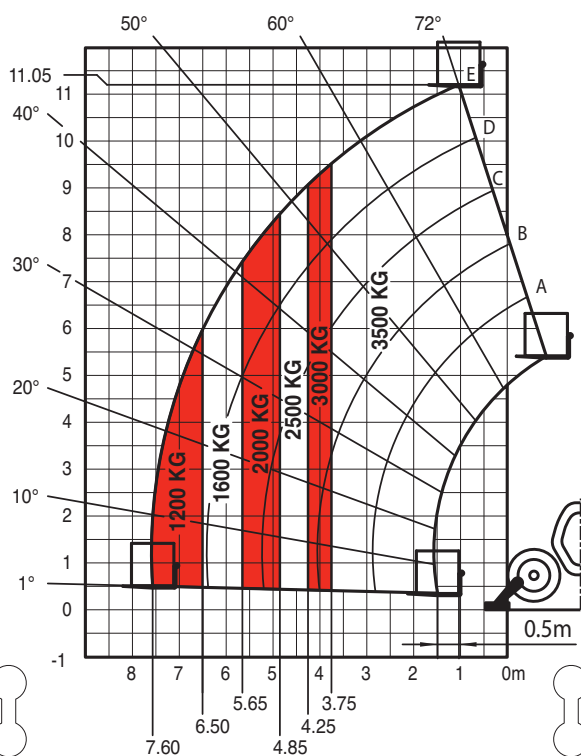


MT1135

SUIVANT NORME EN 1459 annexe B.



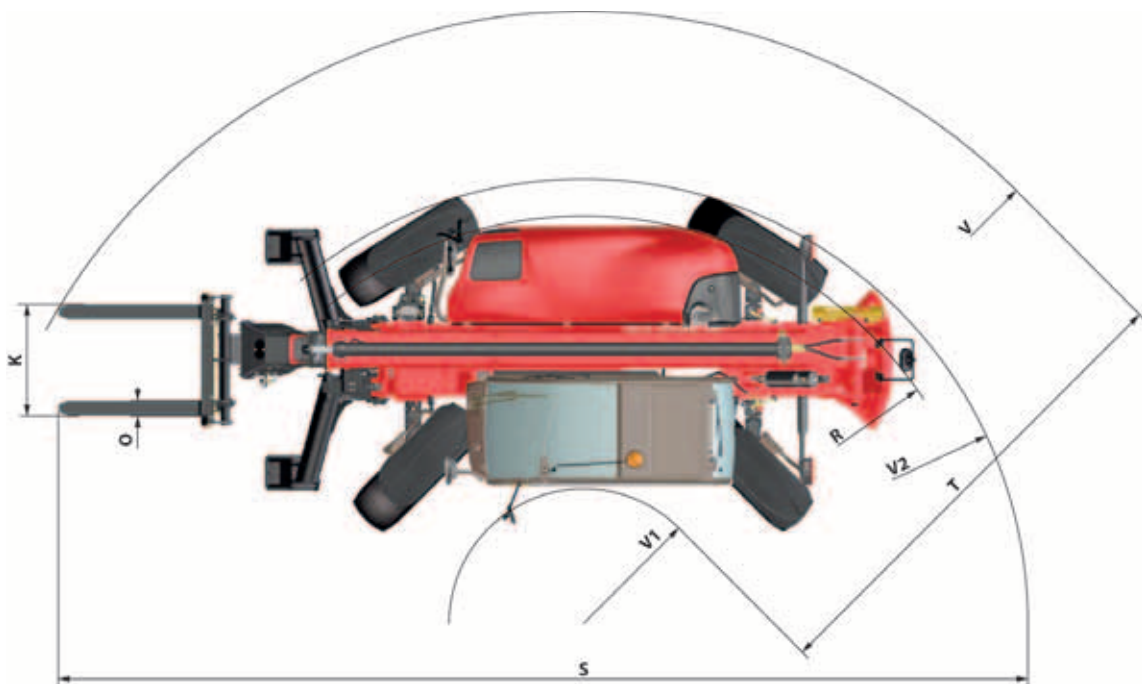
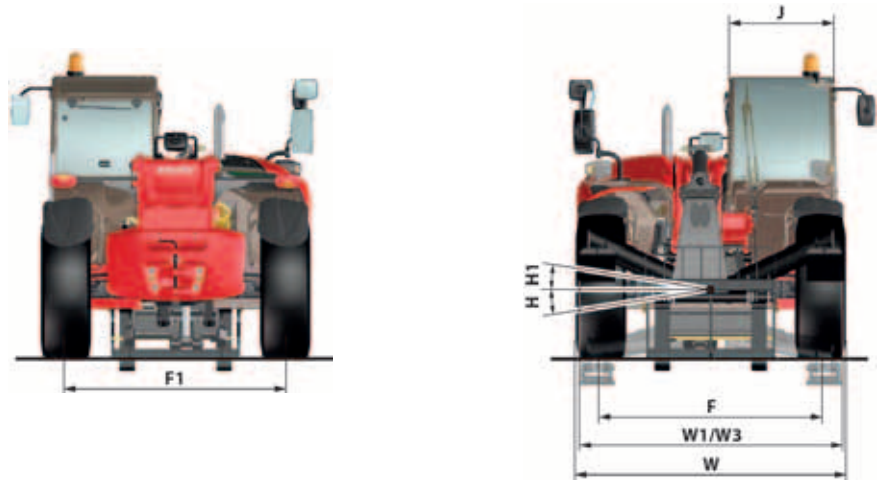
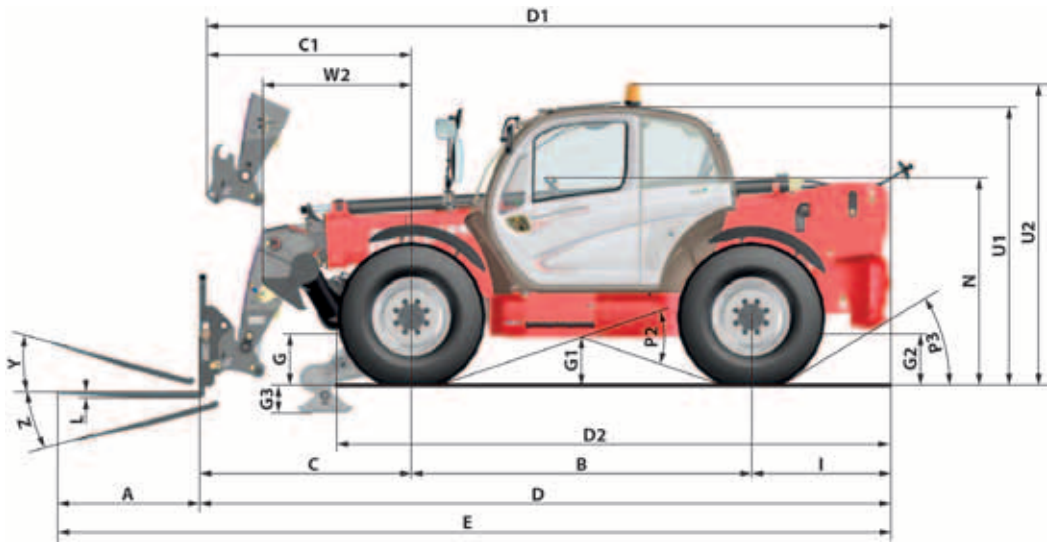
SUIVANT NORME EN 1459 annexe B.

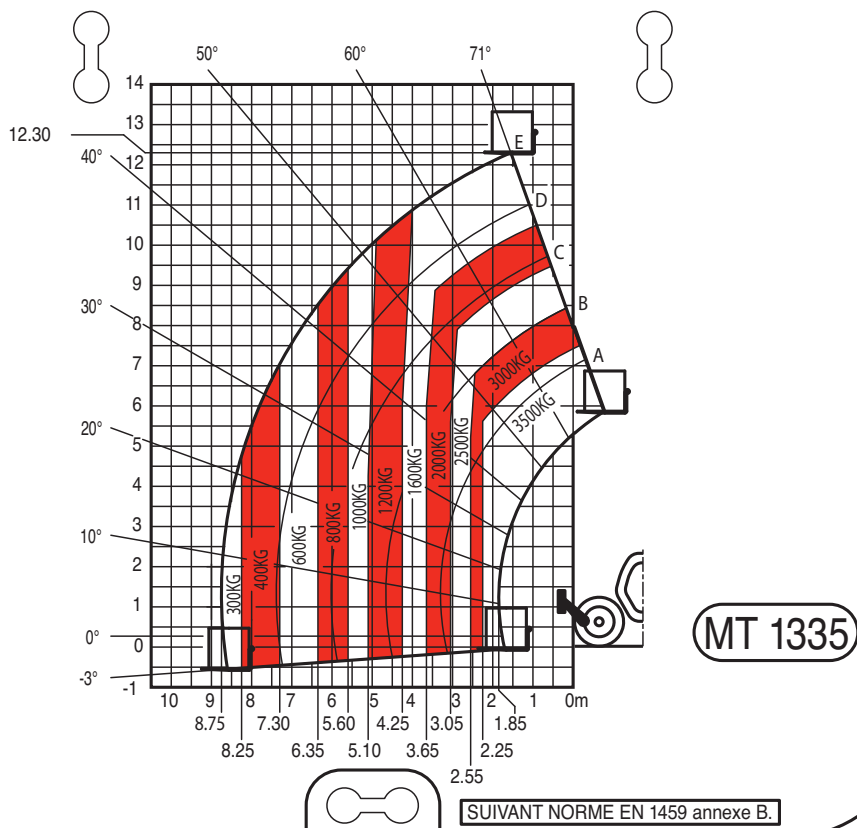


MT1135

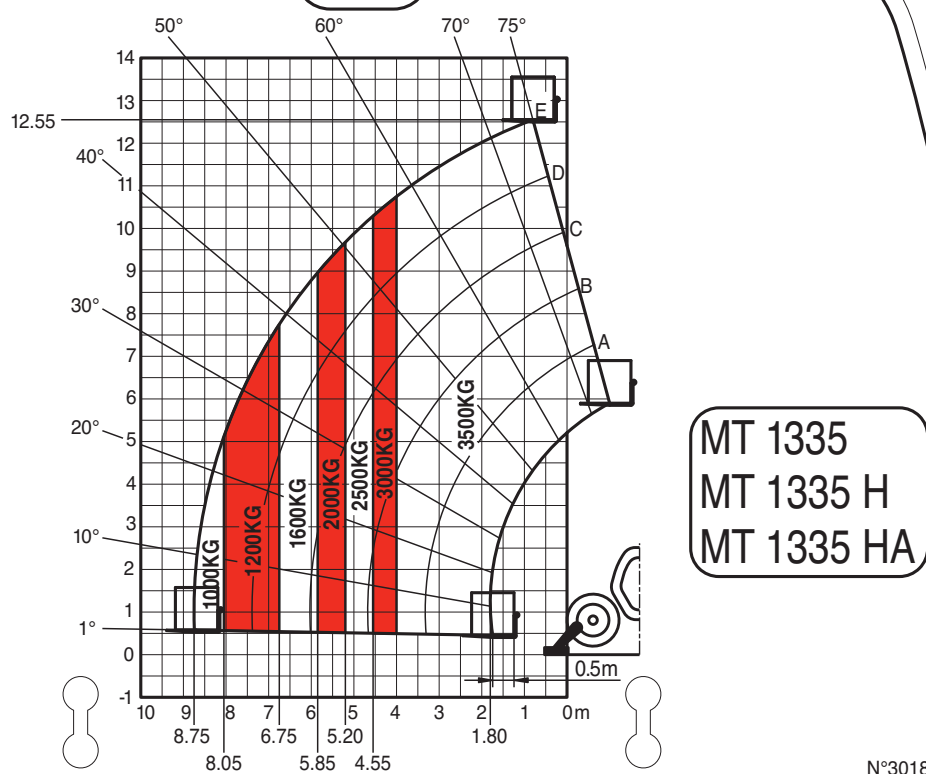
DIMENSIONS AND LOAD CHART MT 1335 ST3B

A	mm	1200
B	mm	2880
C	mm	1798
C1	mm	1801
D	mm	5856
D1	mm	5859
D2	mm	4516
E	mm	7056
F	mm	1870
F1	mm	1870
G	mm	445
G1	mm	415
G2	mm	445
G3	mm	135
H	°	10
H1	°	10
I	mm	1178
J	mm	884
K	mm	1040
L	mm	45
N	mm	1740 - 1803
O	mm	125
P2	°	38
P3	°	31
R	mm	3643
S	mm	8097
T	mm	4084
U1	mm	2419
U2	mm	2559
V	mm	5224
V1	mm	1140
V2	mm	3850
W	mm	2284
W1	mm	2214
W2	mm	1267
W3	mm	2214
Y	°	12
Z	°	114





SUIVANT NORME EN 1459 annexe B.



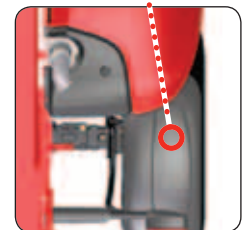
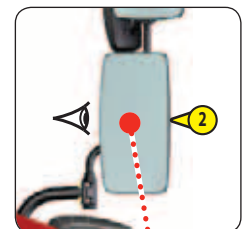
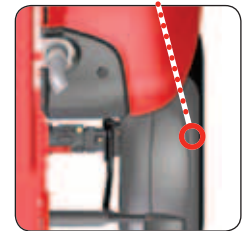
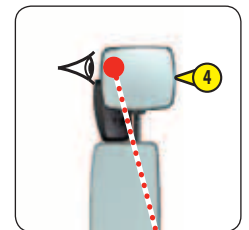
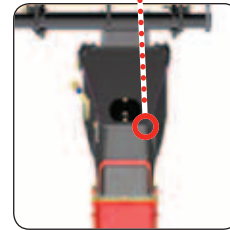
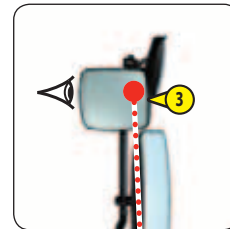
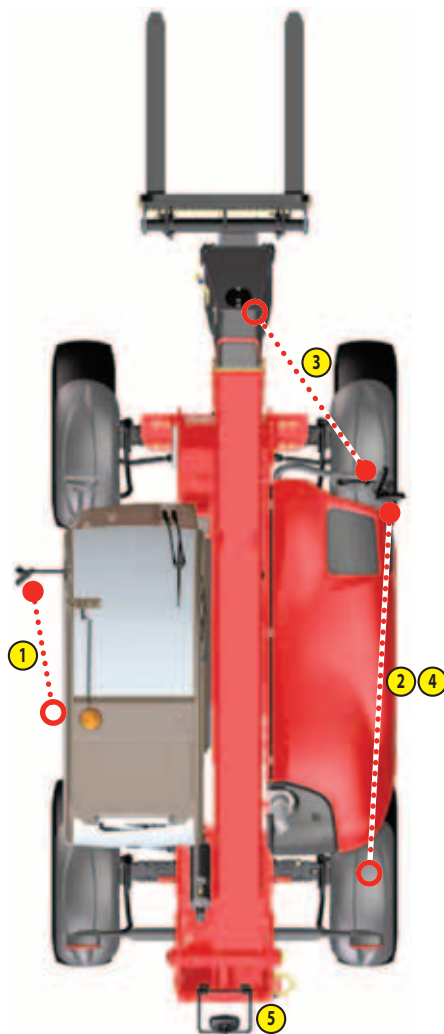
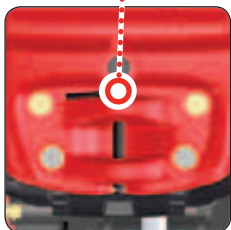
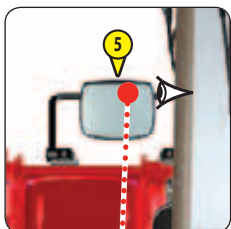
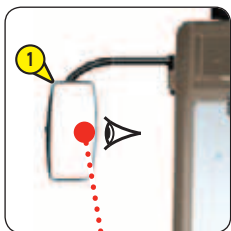
Our lift trucks conform to European standard EN15830 with regard to operator visibility.

- Follow the instructions for optimizing operator visibility of the immediate vicinity (see: 1 - OPERATING AND SAFETY INSTRUCTIONS: INSTRUCTIONS TO THE OPERATOR: DRIVING INSTRUCTIONS UNLADEN AND LADEN: D - VISIBILITY).

DESCRIPTION AND ADJUSTMENT OF REAR-VIEW MIRRORS

- 1 - LEFT REAR-VIEW MIRROR
- 2 - MAIN RIGHT REAR-VIEW MIRROR
- 3 - CENTRAL RIGHT REAR-VIEW MIRROR
- 4 - UPPER RIGHT REAR-VIEW MIRROR
- 5 - REAR REAR-VIEW MIRROR

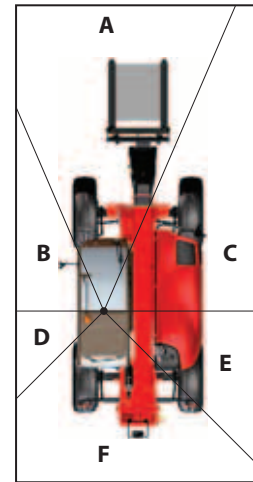
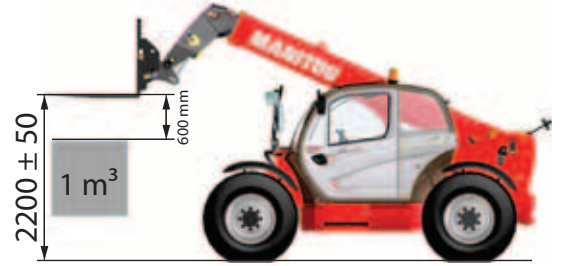
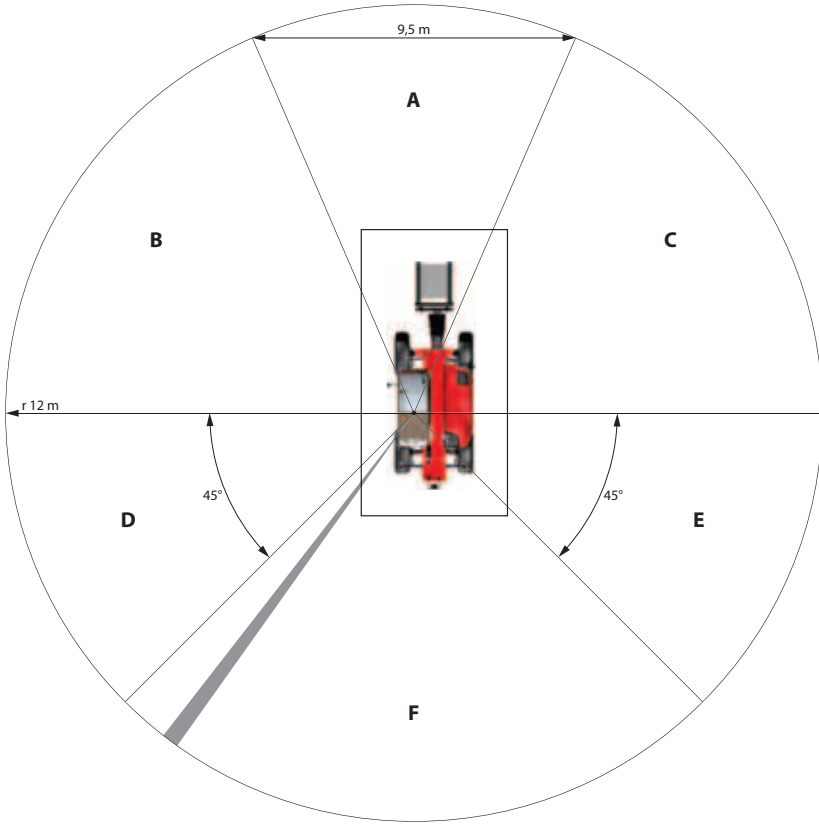
- Place the lift truck on level ground with the I.C. engine stopped, and the jib retracted and lowered as far as possible.
- Note the position of the reference points ●...○ in the illustrations, to see and correctly adjust the rear-view mirrors.



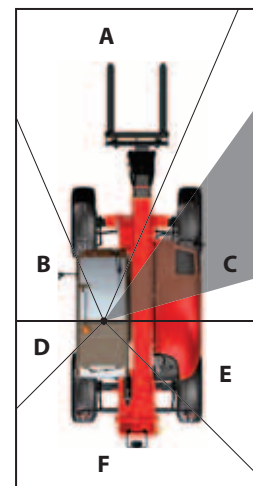
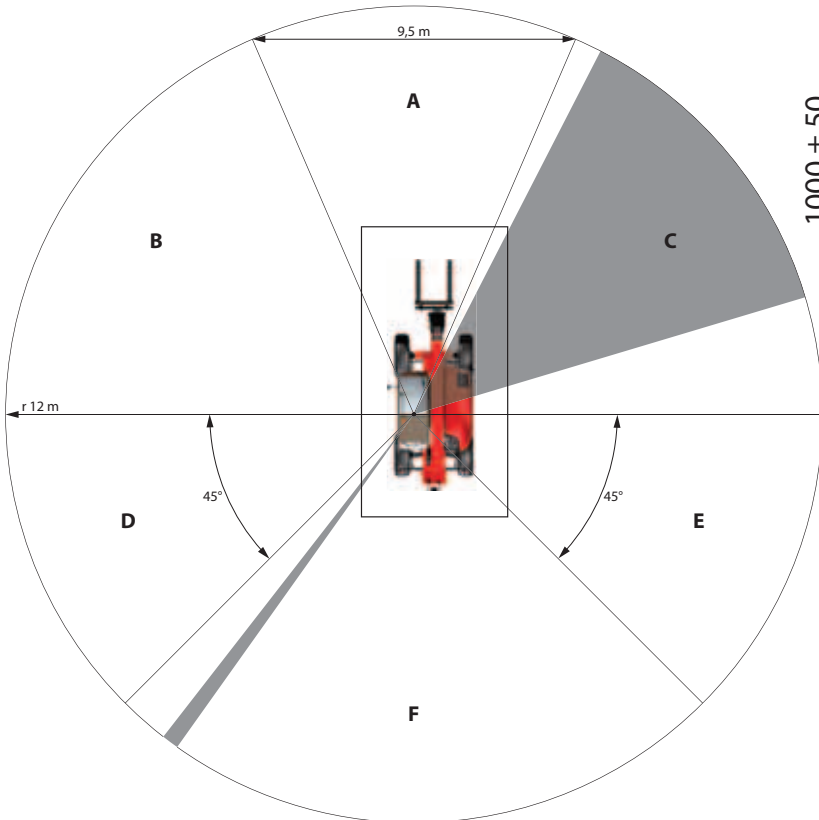
DIRECT AND/OR INDIRECT VISIBILITY BLIND SPOT ZONES

In accordance with EN15830, the two diagrams indicate blind spot zones on the visibility test circle (r 12m) and the 1m rectangular zone around the lift truck.

HANDLING SUSPENDED LOADS



LOADING THE TRAILER



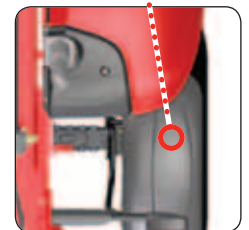
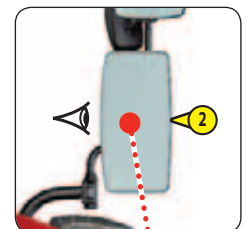
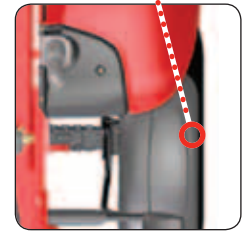
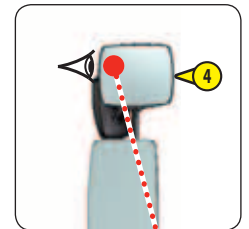
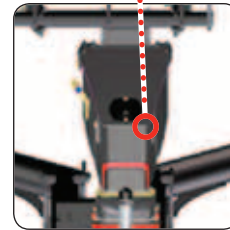
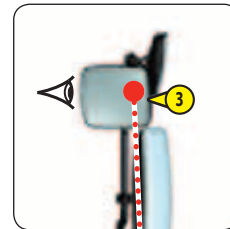
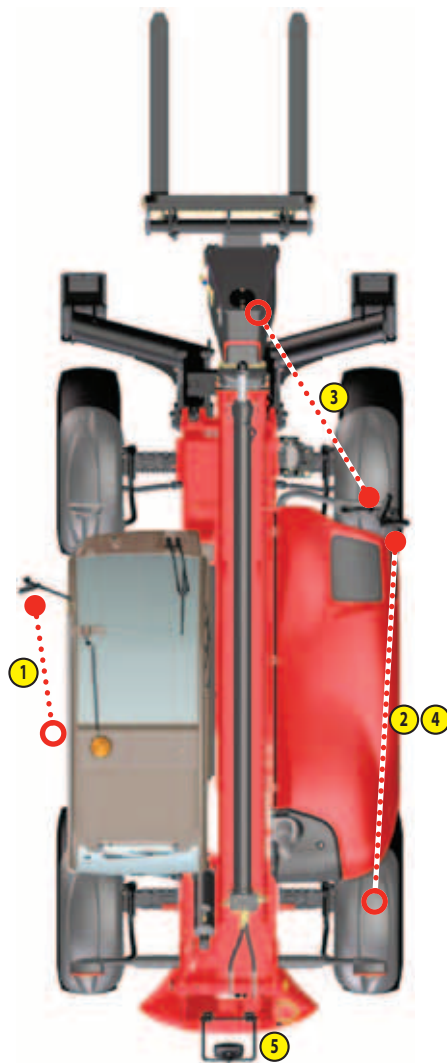
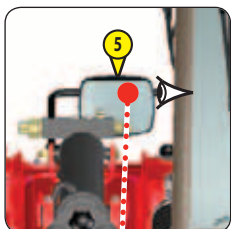
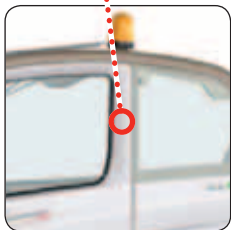
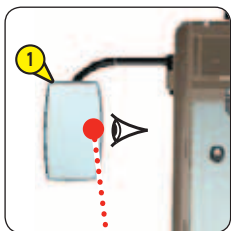
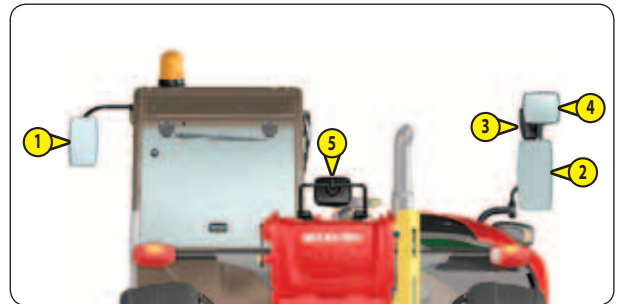
Our lift trucks conform to European standard EN15830 with regard to operator visibility.

- Follow the instructions for optimizing operator visibility of the immediate vicinity (see: 1 - OPERATING AND SAFETY INSTRUCTIONS: INSTRUCTIONS TO THE OPERATOR: DRIVING INSTRUCTIONS UNLADEN AND LADEN: D - VISIBILITY).

DESCRIPTION AND ADJUSTMENT OF REAR-VIEW MIRRORS

- 1 - LEFT REAR-VIEW MIRROR
- 2 - MAIN RIGHT REAR-VIEW MIRROR
- 3 - CENTRAL RIGHT REAR-VIEW MIRROR
- 4 - UPPER RIGHT REAR-VIEW MIRROR
- 5 - REAR REAR-VIEW MIRROR

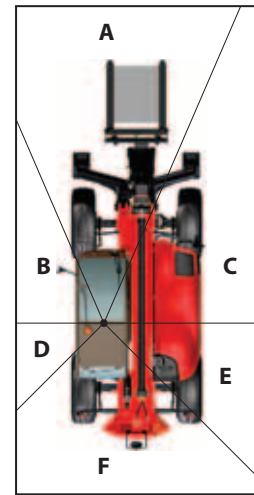
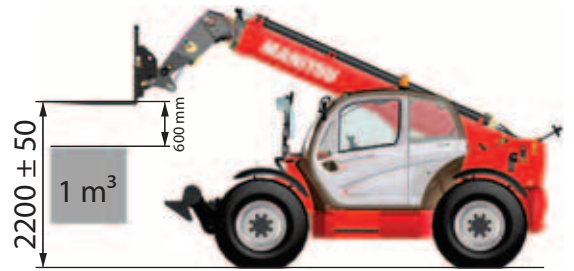
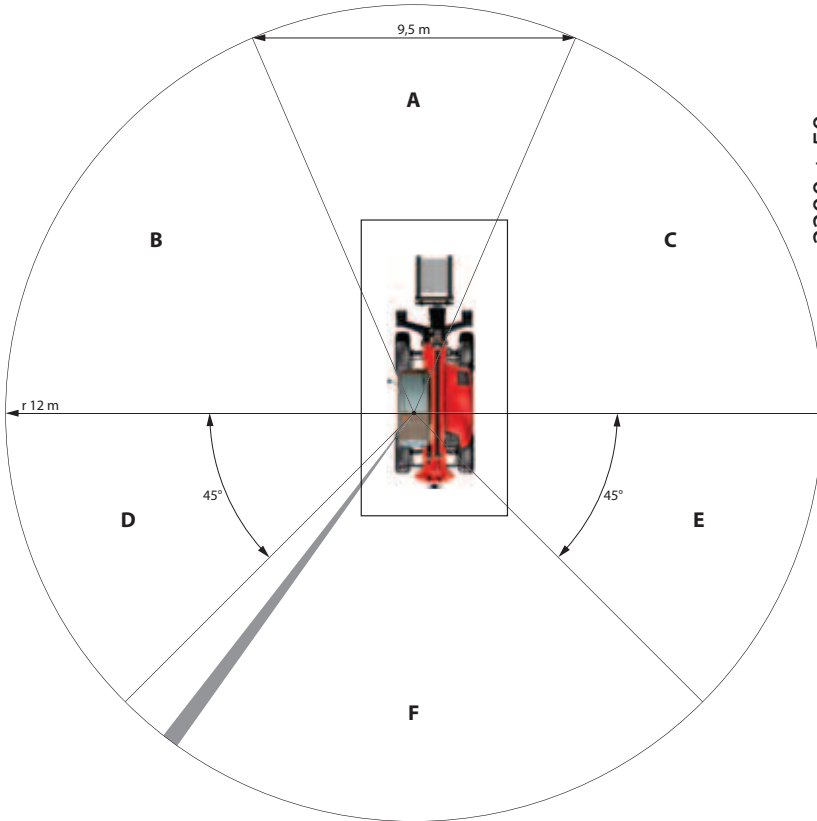
- Place the lift truck on level ground with the I.C. engine stopped, and the jib retracted and lowered as far as possible.
- Note the position of the reference points ●...○ in the illustrations, to see and correctly adjust the rear-view mirrors.



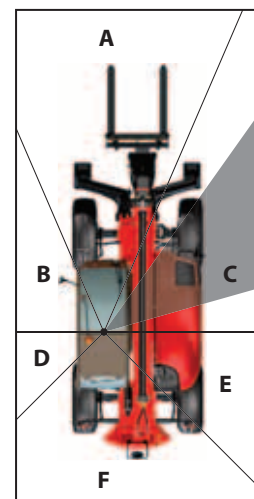
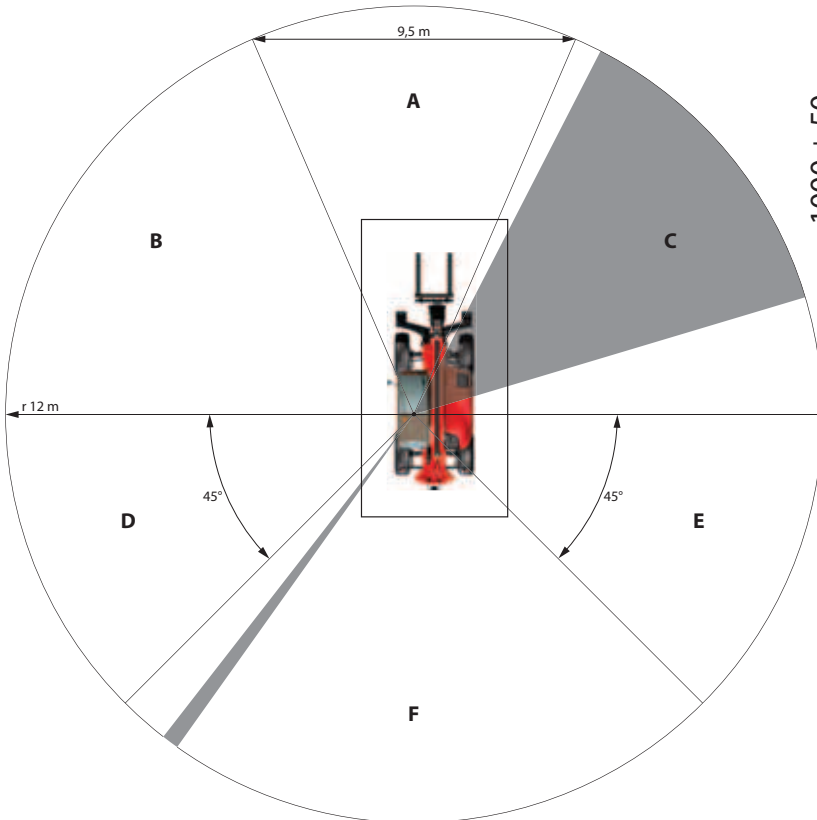
DIRECT AND/OR INDIRECT VISIBILITY BLIND SPOT ZONES

In accordance with EN15830, the two diagrams indicate blind spot zones on the visibility test circle (r 12m) and the 1m rectangular zone around the lift truck.

HANDLING SUSPENDED LOADS



LOADING THE TRAILER



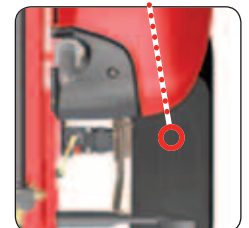
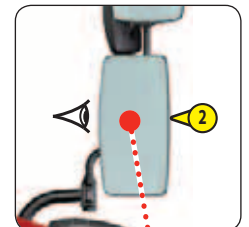
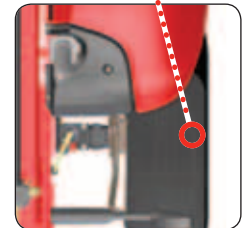
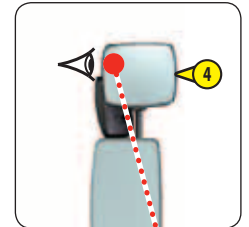
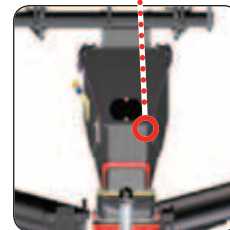
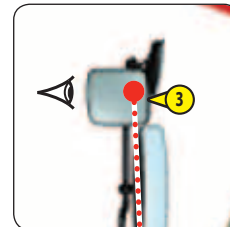
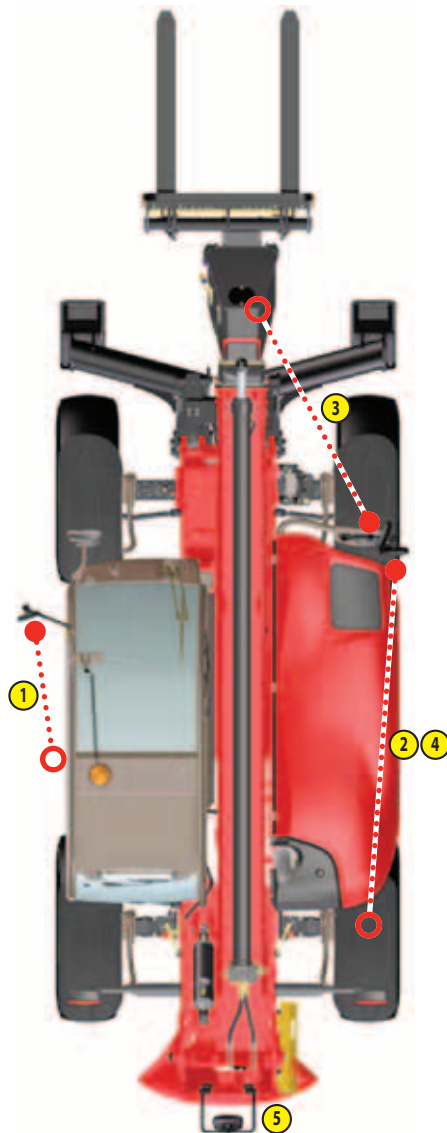
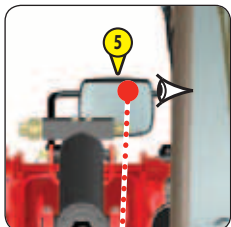
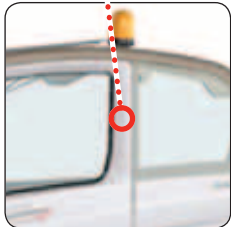
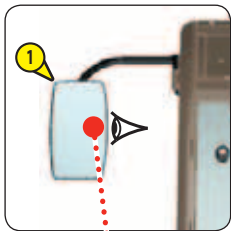
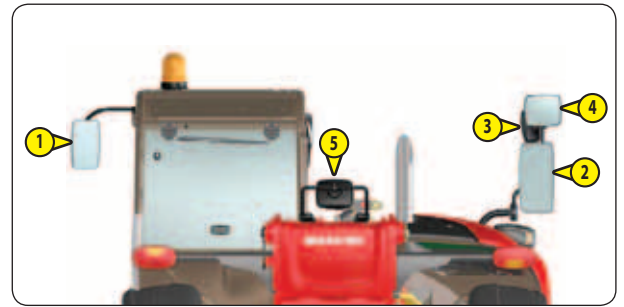
Our lift trucks conform to European standard EN15830 with regard to operator visibility.

- Follow the instructions for optimizing operator visibility of the immediate vicinity (see: 1 - OPERATING AND SAFETY INSTRUCTIONS: INSTRUCTIONS TO THE OPERATOR: DRIVING INSTRUCTIONS UNLADEN AND LADEN: D - VISIBILITY).

DESCRIPTION AND ADJUSTMENT OF REAR-VIEW MIRRORS

- 1 - LEFT REAR-VIEW MIRROR
- 2 - MAIN RIGHT REAR-VIEW MIRROR
- 3 - CENTRAL RIGHT REAR-VIEW MIRROR
- 4 - UPPER RIGHT REAR-VIEW MIRROR
- 5 - REAR REAR-VIEW MIRROR

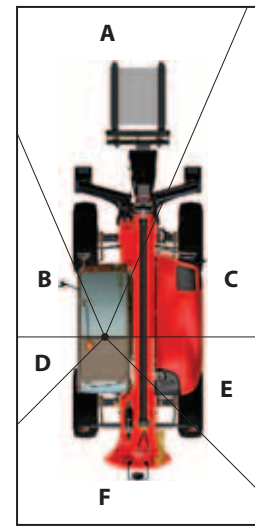
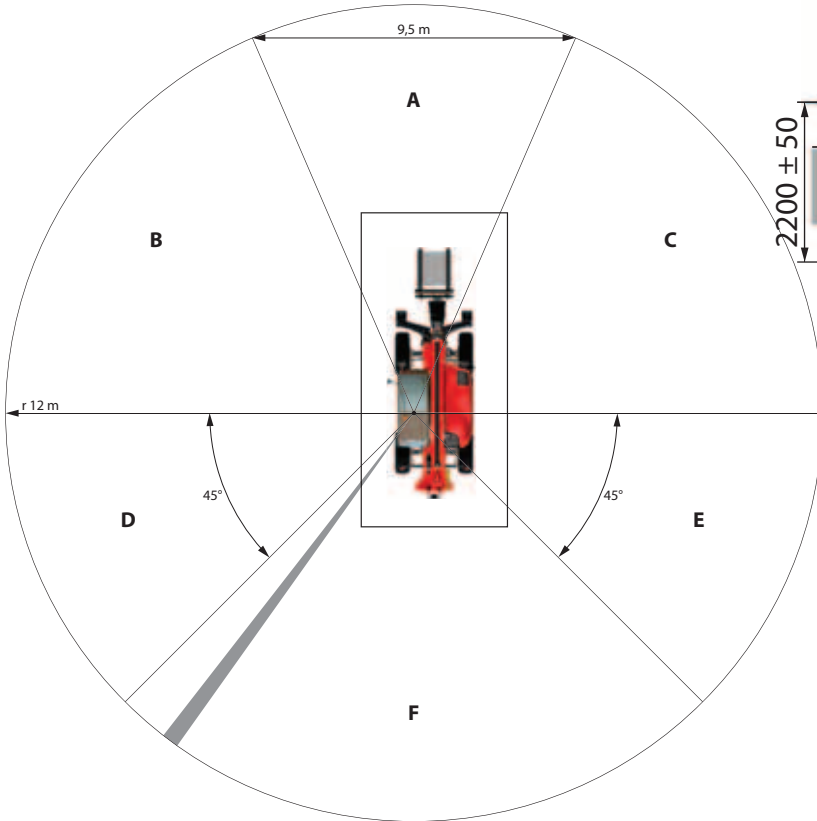
- Place the lift truck on level ground with the I.C. engine stopped, and the jib retracted and lowered as far as possible.
- Note the position of the reference points ●...○ in the illustrations, to see and correctly adjust the rear-view mirrors.



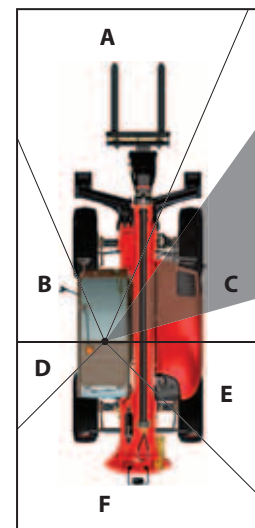
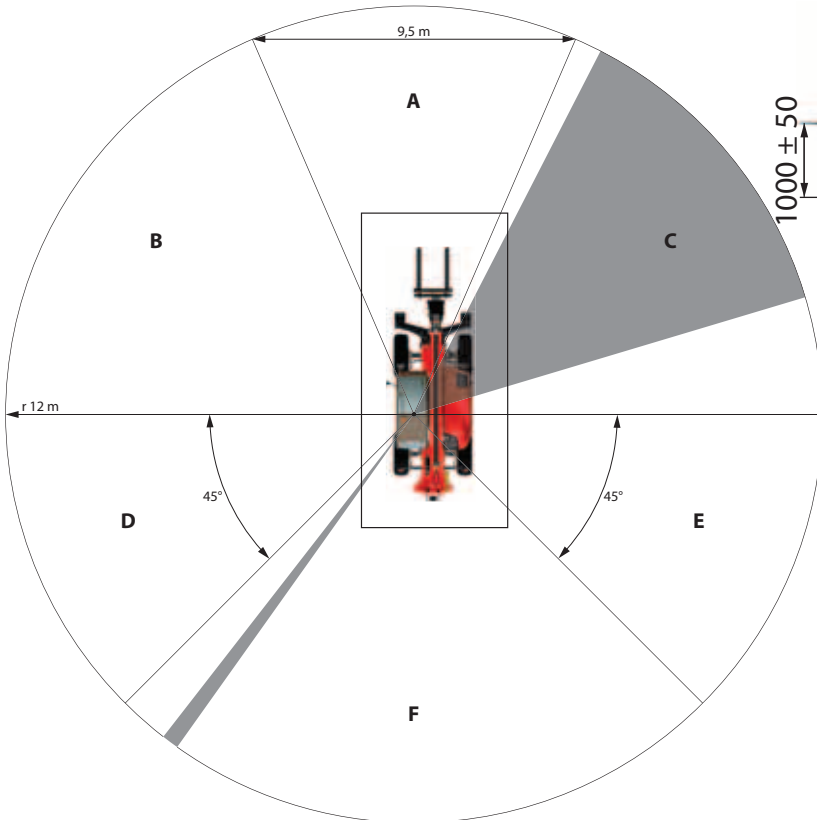
DIRECT AND/OR INDIRECT VISIBILITY BLIND SPOT ZONES

In accordance with EN15830, the two diagrams indicate blind spot zones on the visibility test circle (r 12m) and the 1m rectangular zone around the lift truck.

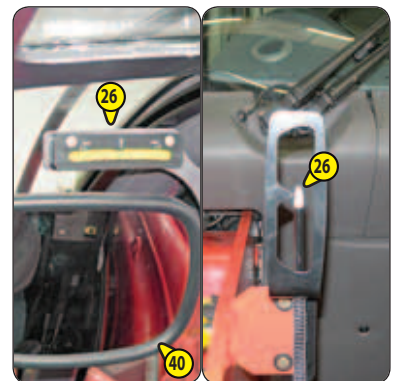
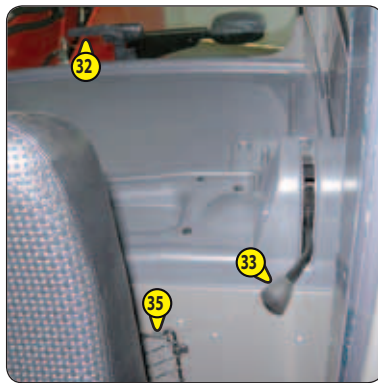
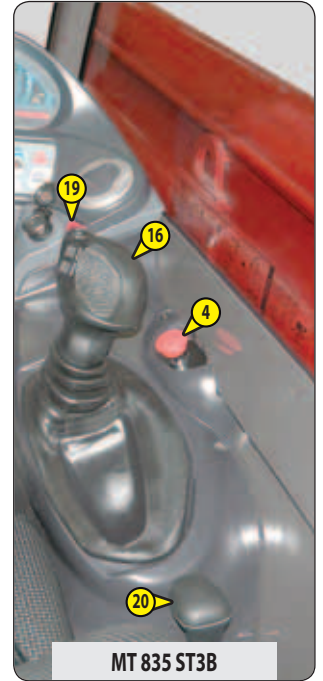
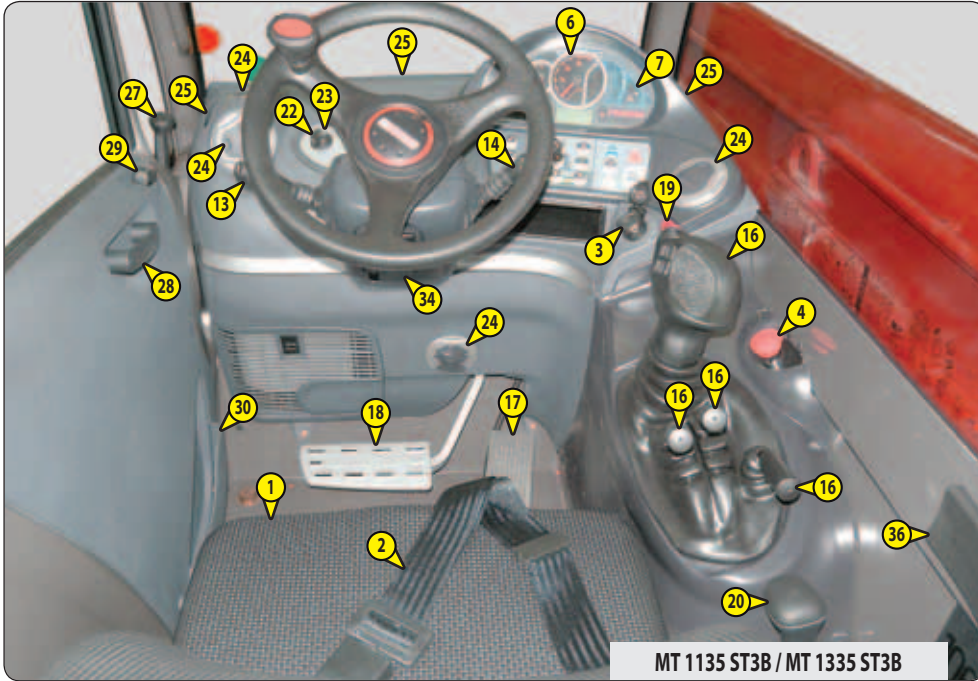
HANDLING SUSPENDED LOADS



LOADING THE TRAILER



INSTRUMENTS AND CONTROLS



DESCRIPTION

- 1 - DRIVER'S SEAT
- 2 - SEAT BELT
- 3 - IGNITION SWITCH
- 4 - EMERGENCY STOP BUTTON
- 5 - BATTERY CUT OFF
- 6 - MAN-MACHINE INTERFACE (MMI)
- 7 - LONGITUDINAL STABILITY LIMITER AND WARNING DEVICE
- 8 - SWITCHES
- 9 - FUSES AND RELAYS IN THE CAB
- 10 - FUSES AND RELAYS UNDER THE ENGINE HOOD
- 11 - DOOR PRESENCE SENSORS
- 12 - CIGARETTE LIGHTER
- 13 - LIGHTING, HORN AND INDICATOR SWITCH
- 14 - FRONT AND REAR WINDSCREEN WIPER SWITCH
- 15 - FUNCTION FILES
- 16 - HYDRAULIC CONTROLS
- 17 - ACCELERATOR PEDAL
- 18 - SERVICE BRAKE PEDAL
- 19 - FORWARD/NEUTRAL/REVERSE GEAR SELECTION
- 20 - GEAR LEVER
- 21 - STEERING SELECTION
- 22 - HEATER CONTROL
- 23 - AIR CONDITIONING CONTROLS (AIR CONDITIONING OPTION)
- 24 - HEATING VENTS
- 25 - DEMIST VENTS
- 26 - LEVEL INDICATORS
- 27 - DOOR OPEN LEVER
- 28 - DOOR CLOSE HANDLE
- 29 - WINDOW REGULATOR SWITCH
- 30 - SIDE STORAGE SPACE
- 31 - CEILING LIGHT
- 32 - HANDLE FOR REAR WINDOW OPENING
- 33 - HANDLE FOR REAR WINDOW CLOSING
- 34 - STEERING WHEEL ADJUSTMENT LEVER
- 35 - DOCUMENT HOLDER NET
- 36 - ASHTRAY
- 37 - FRONT HEADLIGHTS (NOT ILLUSTRATED)
- 38 - REAR HEADLIGHTS (NOT ILLUSTRATED)
- 39 - ROTATING BEACON LIGHT (NOT ILLUSTRATED)
- 40 - INSIDE REAR-VIEW MIRROR (OPTION)
- 41 - BOOM SAFETY WEDGE

NOTE: All the terms such as: RIGHT, LEFT, FRONT, REAR, are meant for an observer seated on driver's seat and looking in front of him.

1 - DRIVER'S SEAT

DRIVER'S SEAT (STANDARD)

DESIGNED FOR MAXIMUM COMFORT, THIS SEAT CAN BE ADJUSTED AS FOLLOWS.

LONGITUDINAL ADJUSTMENT

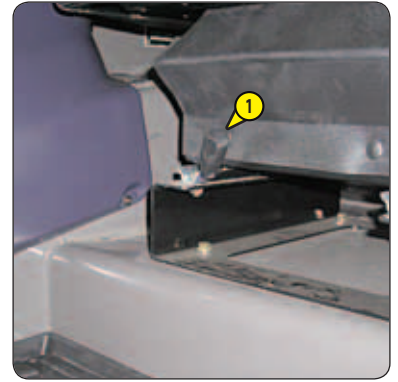
- Unlock the locking lever 1.
- Slide the seat to the desired position.
- Release the lever and be sure it returns to the lock position.

SEAT SUSPENSION ADJUSTMENT

- Refer to the seat's graduation.
- Turn knob 2 according to the driver's weight.

ANGLE ADJUSTMENT OF THE BACK-REST

- Pull the locking lever 3 upwards.
- Tilt the back-rest to the required position.
- Release the lever and be sure it returns to the locking position.



DRIVER'S SEAT (OPTION)

DESIGNED FOR MAXIMUM COMFORT, THIS SEAT CAN BE ADJUSTED AS FOLLOWS.

LONGITUDINAL ADJUSTMENT

- Pull the locking lever 1 upwards.
- Slide the seat to the desired position.
- Release the lever and be sure it returns to the lock position.

SEAT CUSHION ADJUSTMENT

The front and the back of the seat cushion can be adjusted separately.

- To adjust the front, push the lever 2 downwards.
- Release it into one of the five possible positions.
- Same procedure to adjust the back by pulling the lever 2 upwards.

SEAT SUSPENSION ADJUSTMENT

- Turn the button 3 and adjust according to your weight.

ANGLE ADJUSTMENT OF THE BACK-REST

- Lean the back against the back-rest.
- Pull the lever 4 and place the back-rest into one of the possible positions.



DRIVER'S SEAT (OPTION)

DESIGNED FOR MAXIMUM COMFORT, THIS SEAT CAN BE ADJUSTED AS FOLLOWS.

WEIGHT ADJUSTMENT (FIG. A)

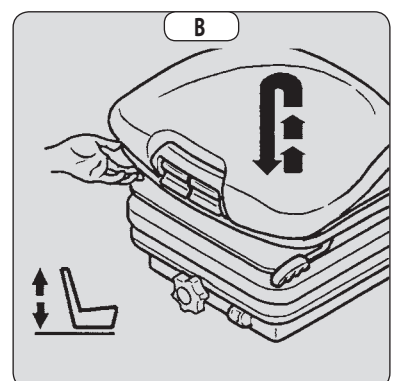
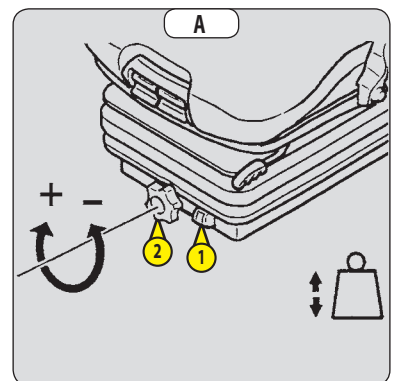
It is advised that the weight be adjusted when the driver is not sitting in the cab.

- Refer to graduation 1 of the seat.
- Turn knob 2 according to the driver's weight.

NOTE: To avoid any health problems, it is recommended that the weight should be checked and adjusted before starting up the lift truck.

SEAT HEIGHT ADJUSTMENT (FIG. B)

- Raise the seat to the desired position, until you hear the ratchet click. If you raise the seat above the last notch (stop), the seat returns to the lowest position.



SEAT BACK-REST ANGLE ADJUSTMENT (FIG. C)

The back-rest angle of the seat may be adjusted to suit the individual.

- Press the left-hand button while pushing on the seat or relaxing pressure on the seat to find a comfortable position.

SEAT DEPTH ADJUSTMENT (FIG. D)

The depth of the seat may be adjusted to suit the individual.

- Press the right-hand button while raising or lowering the seat to find the desired position.

EXTENDING THE HEAD-REST (FIG. E)

- The height of the back-rest can be adjusted by pulling it upwards (the notches will click) up to the stop.
- The head-rest can be removed by applying sufficient pressure to pull it off the stop.

LUMBAR ADJUSTMENT (FIG. F)

This increases the comfort of the seat and the driver's freedom of movement.

- Turn the handle either left or right to adjust the height or depth of the lumbar support.

ADJUSTMENT OF THE ANGLE OF THE BACK-REST (FIG. G)

⚠ IMPORTANT ⚠

If you do not support the back-rest when making adjustments, it swings completely forwards.

- Support the back-rest, pull the lever and position the back-rest to find the desired position.

LONGITUDINAL ADJUSTMENT (FIG. H)

- Adjust the locking lever until you reach the position required. This then locks and the seat will not shift into another position.

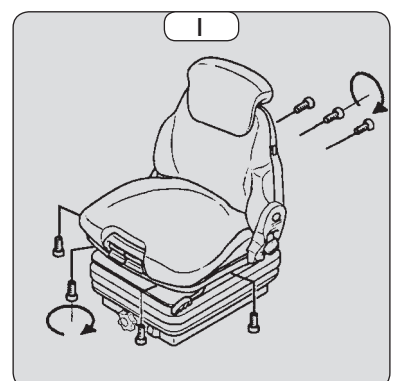
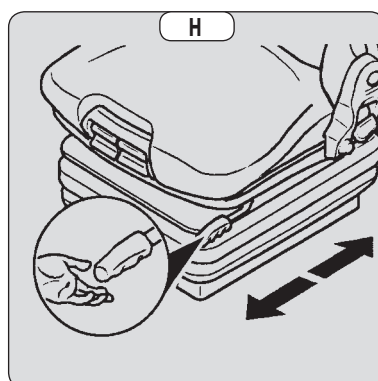
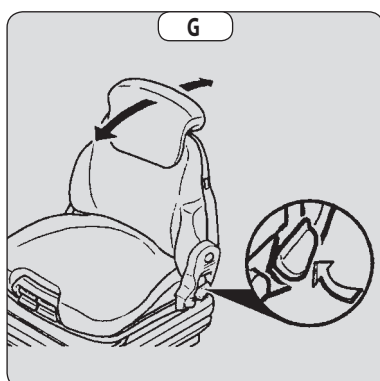
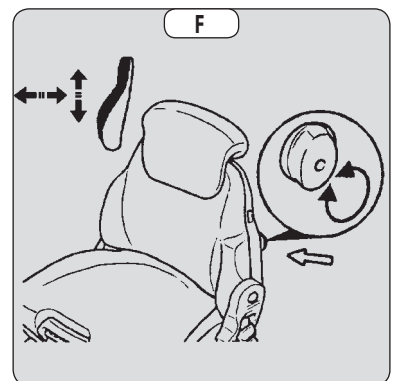
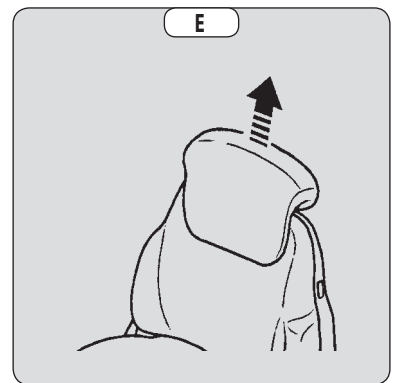
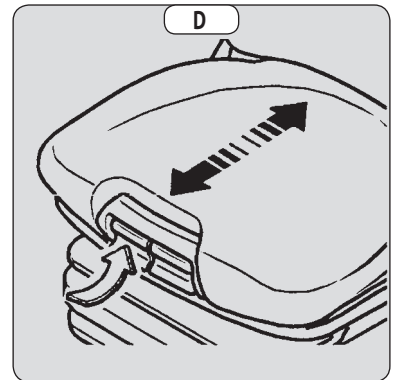
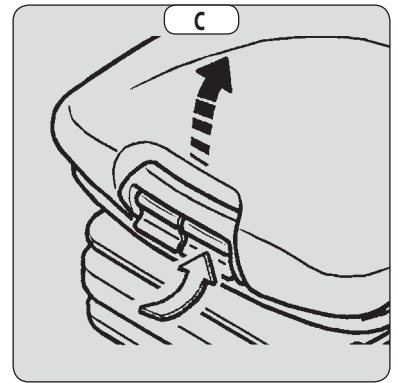
MAINTENANCE (FIG. I)

⚠ IMPORTANT ⚠

A rocking head-rest increases the risk of an accident!

Dirt may adversely affect the correct functioning of the seat. For this reason, make sure your seat is always clean.

- To clean or change the cushions, simply remove them from the seat frame.
- Avoid wetting the cushion fabric when cleaning. Check the resistance of the fabric on a small hidden area before using any fabric or plastic cleaner.



PNEUMATIC DRIVER'S SEAT (OPTION)

DESIGNED FOR MAXIMUM COMFORT, THIS SEAT CAN BE ADJUSTED AS FOLLOWS.

WEIGHT AND SEAT HEIGHT ADJUSTMENT

WEIGHT ADJUSTMENT (FIG. A)

It is advised that you adjust the seat according to your weight when sitting.

- Switch on lift truck ignition.
- Push or pull lever 1 until green appears in display 2 indicating correct adjustment according to your weight.

NOTE: To avoid any health problems, it is recommended that the weight should be checked and adjusted before starting up the lift truck.

SEAT HEIGHT ADJUSTMENT (FIG. B)

⚠ IMPORTANT ⚠

To avoid causing any damage, do not activate the compressor for over 1 minute.

When weight adjustment has been carried out, you can then modify seat height.

- Keep the ignition on in the lift truck.
- Push or pull lever 1 until green appears and adjust the height of the seat while checking that the green in display 2 remains visible.

SEAT BACK-REST ANGLE ADJUSTMENT (FIG. C)

The back-rest angle of the seat may be adjusted to suit the individual.

- Press the left-hand button while pushing on the seat or relaxing pressure on the seat to find a comfortable position.

SEAT DEPTH ADJUSTMENT (FIG. D)

The depth of the seat may be adjusted to suit the individual.

- Press the right-hand button while raising or lowering the seat to find the desired position.

EXTENDING THE HEAD-REST (FIG. E)

- The height of the back-rest can be adjusted by pulling it upwards (the notches will click) up to the stop.
- The head-rest can be removed by applying sufficient pressure to pull it off the stop.

LUMBAR ADJUSTMENT (FIG. F)

This increases the comfort of the seat and the driver's freedom of movement.

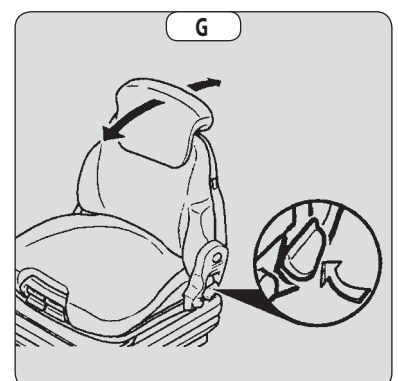
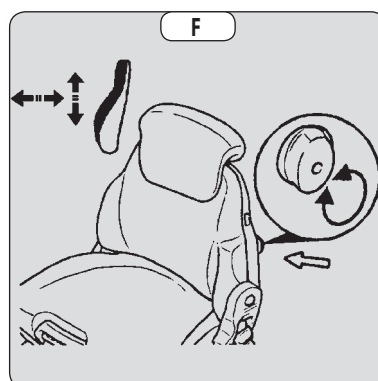
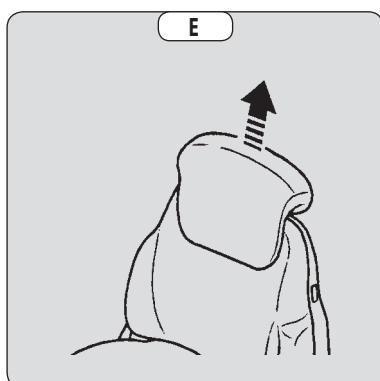
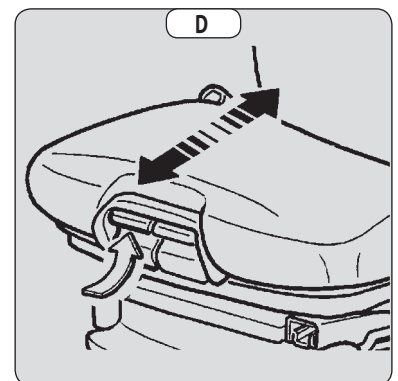
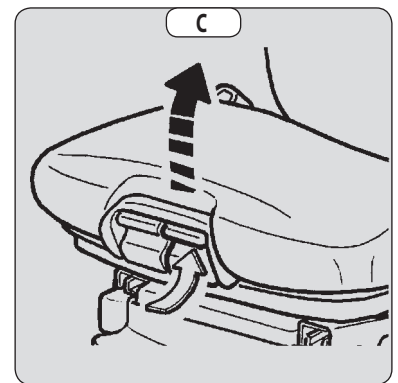
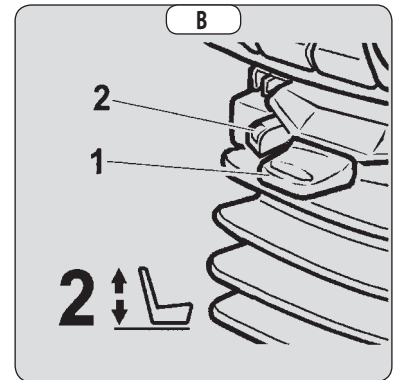
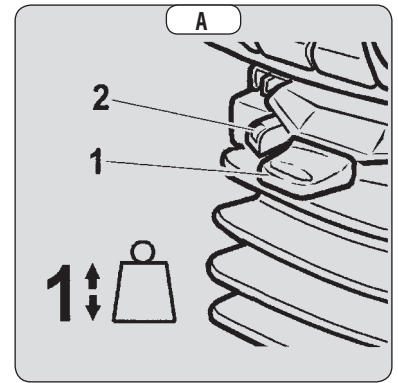
- Turn the handle either left or right to adjust the height or depth of the lumbar support.

ADJUSTMENT OF THE ANGLE OF THE BACK-REST (FIG. G)

⚠ IMPORTANT ⚠

If you do not support the back-rest when making adjustments, it swings completely forwards.

- Support the back-rest, pull the lever and position the back-rest to find the desired position.



HORIZONTAL SHOCK ABSORBER (FIG. H)

In certain conditions (e.g. driving with a trailer) it is advised that a horizontal shock absorber be used. The driver's seat is thus better able to absorb jerks in the direction of travel.

- Position 1: Horizontal shock absorber fitted.
- Position 2: Horizontal shock absorber removed.

LONGITUDINAL ADJUSTMENT (FIG. I)

- Adjust the locking lever until you reach the position required. This then locks and the seat will not shift into another position.

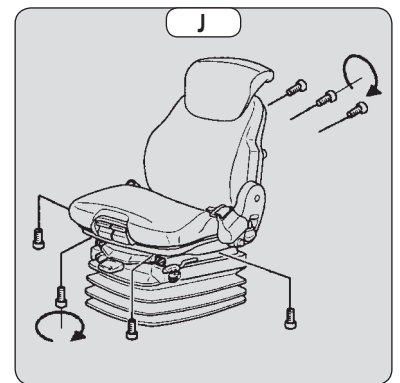
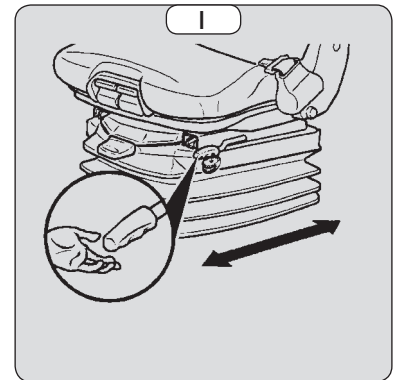
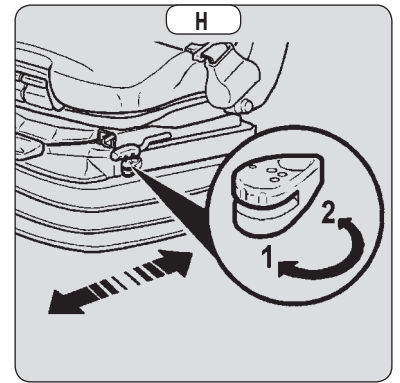
SERVICING (FIG. J)

⚠ IMPORTANT ⚠

A rocking head-rest increases the risk of an accident!

Dirt may adversely affect the correct functioning of the seat. For this reason, make sure your seat is always clean.

- To clean or change the cushions, simply remove them from the seat frame.
- Avoid wetting the cushion fabric when cleaning. Check the resistance of the fabric on a small hidden area before using any fabric or plastic cleaner.



2 - SEAT BELT

⚠ IMPORTANT ⚠

*In no event should the lift truck be used if the seat belt is defective (fixing, locking, cuts, tears, etc.).
Repair or replace the seat belt immediately.*

- Sit correctly on the seat.
- Check that seat belt is not twisted.
- Place the seat belt at hip level.
- Attach the seat belt and check that it locks.
- Adjust the seat belt to your body shape without squeezing your hip and without over-slack.

3 - IGNITION SWITCH

The key switch has five positions:

- P - Not used.
- O - Ignition switched off and engine stopped.
- I - Ignition + preheating.
- II - Not used.
- III - The engine starts, return to position I as soon as the key is released.

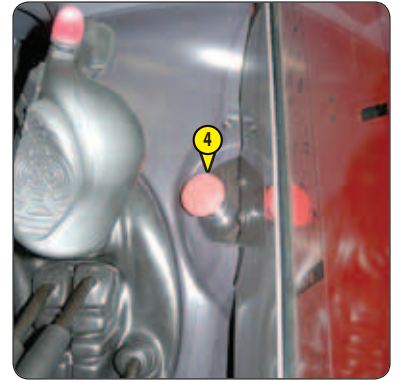
4 - EMERGENCY STOP BUTTON

In the event of danger, it lets you stop the engine and thereby cut out all hydraulic movements.

⚠ IMPORTANT ⚠

*Warning, hydraulic movements suddenly stop when using this button.
Warning, when driving, the lift truck will be brought to a sudden stop if the parking brake is actuated.
If possible, stop the lift truck before using the emergency stop button.*

- Pull the button to disable it before restarting the lift truck.



5 - BATTERY CUT OFF

For quickly disconnecting the battery when working on the electric circuit or when soldering, for example.

⚠ IMPORTANT ⚠

Operate the battery cut-out no less than 30 seconds after having switched off the ignition with the ignition key.



6 - MAN-MACHINE INTERFACE (MMI)

- 6A - DRIVER PRESENCE
- 6B - INSTRUMENT CONTROL PANEL
- 6C - PANEL FOR BUTTONS AND KEYBOARD
- 6D - SCREEN DISPLAY

UPDATED: In order to gain maximum advantage from the Man-Machine Interface of your lift truck, contact your dealer to receive the most recent available version of the software.



6A - DRIVER PRESENCE

The driver's presence is validated when the operator is correctly seated and the cab door is closed.

- It is only from that moment that the lift truck is operational; the operator can perform hydraulic movements and move the lift truck.

6B - INSTRUMENT CONTROL PANEL



A - REV COUNTER

B - FUEL LEVEL

When the yellow warning light B1 comes on it means that you are in reserve and that your running time is limited.

C - LONGITUDINAL STABILITY WARNING LIGHT

See: 2 - DESCRIPTION: 7 - LONGITUDINAL STABILITY LIMITER AND WARNING DEVICE.

D - FORWARD/NEUTRAL/REVERSE LIGHT

See: 2 - DESCRIPTION: 19 - FORWARD/NEUTRAL/REVERSE GEAR SELECTION.

E - GREEN STEERING LIGHTS

A continuous beeping sound on and off at the same time as the steering lights when using indicator lights or hazard warning lights.

F - GREEN WARNING LIGHTS FOR WHEEL ALIGNMENT

See: 2 - DESCRIPTION: 21 - STEERING SELECTION.

G - DIGICODE INDICATOR LAMP

This light flashes when the digicode is enabled (see: 2 - DESCRIPTION: 6D - SCREEN DISPLAY).

H - ENGINE WATER LEVEL AND TEMPERATURE LAMP

COLD ENGINE: If lamp H1 comes on when the lift truck is running, this means that the cooling liquid level is too low. Immediately stop the engine and check the level.

HOT ENGINE: If lamp H1 comes on when the lift truck is running, this means that the cooling liquid temperature is too high or its level is too low. Immediately stop the engine and seek the cause of the cooling system malfunction.



MAJOR FAULT WARNING LIGHT

When this light is on it indicates that there is a major fault that may affect the safety for the lift truck or the driver. Stop the lift truck and refer to the error codes (see: 2 - DESCRIPTION: 6D - SCREEN DISPLAY: MENU SCREEN).



GREEN LIGHT FOR LOW BEAM



BLUE LIGHT FOR MAIN BEAM



AIR FILTER CLOGGING LAMP

The lamp comes on when the air filter cartridge is clogged up. When this lamp remains continuously lit the cartridge needs changing. Stop the lift truck and carry out the necessary repairs (see: 3 - MAINTENANCE: SERVICING SCHEDULE).



HYDRAULIC RETURN OIL FILTER CARTRIDGE CLOGGING LAMP

The lamp comes on when the hydraulic return oil filter cartridge is clogged up. When this lamp remains continuously lit the cartridge needs changing. Stop the lift truck and carry out the necessary repairs (see: 3 - MAINTENANCE: SERVICING SCHEDULE).

NOTE: This lamp comes on by cold weather or when starting the fork lift truck, it goes off when the hydraulic oil reaches its operating temperature.



POWER-ASSISTED STEERING FAULT INDICATOR LAMP

If the lamp comes on when the lift truck is running, stop the engine immediately and look for the cause (possible leak, etc.).



BRAKE FLUID LEVEL OR POWER-ASSISTED BRAKING FAULT INDICATOR LAMP

If the lamp comes on, when the lift truck is running, stop the engine immediately and check the braking oil level. In the event of an abnormal drop in the level, consult your dealer.



HIGH EXHAUST GAS TEMPERATURE INDICATOR LAMP

The lamp comes on while the lift truck is running to indicate a high exhaust gas temperature.



WATER IN FUEL PRE-FILTER LAMP

This lamp will come on when there is water in the fuel pre-filter. Stop the lift truck and carry out the necessary repairs (see: 3 - MAINTENANCE: SERVICING SCHEDULE).



ENGINE AUTOMATIC PREHEATING LAMP

This lamp comes on when the lift truck's ignition is switched on and should go out as soon as pre-heating is ended. If it comes on while the lift truck is in operation, immediately stop the engine and find the cause.



ENGINE OIL PRESSURE LAMP

If the lamp comes on when the lift truck is running, stop the engine immediately and look for the cause (see oil level in engine crankcase).

NOTE: After starting the engine, the indicator lamp remains on for a few seconds then goes out when the correct engine oil pressure is reached. The full engine power is then available.



ENGINE FAULT INDICATOR LAMP

If the lamp comes on when the lift truck is running, stop the engine immediately and look for the cause (possible leak, etc.).

NOTE: This lamp comes on the moment the ignition key is in position I and until the engine is started.



BATTERY LOAD LAMP

If this lamp comes on when the lift truck is running, switch off the engine immediately and check the electric circuit and the alternator belt.



GREEN PROGRESSIVE INCHING TRANSMISSION MODE INDICATOR LAMP (OPTION)

This lamp comes on when using the progressive transmission "INCHING" mode (see: 2 - DESCRIPTION: 6C - PANEL FOR BUTTONS AND KEYBOARD).



GEAR BOX OIL PRESSURE LAMP

This lamp comes on when there is an abnormal drop in gear box pressure. Stop the lift truck and look for the cause (e.g., Low oil level in the transmission, internal leak in the transmission, etc.).



GEAR BOX OIL TEMPERATURE LAMP

This lamp comes on when the temperature of the gear box oil is abnormally high. In this case, place the forward/reverse selector in neutral and let the engine running at idle for a few minutes. If the lamp remains on, stop the lift truck and contact your dealer.

NOTE: Abnormal heating of the oil may be linked to an incorrect use of the gear box ratios (see: 2 - DESCRIPTION: 20 - GEAR LEVER).



PARKING BRAKE LAMP

This lamp comes on when the parking brake is applied.

A flashing lamp indicates a fault (see: 2 - DESCRIPTION: 6D - SCREEN DISPLAY: MENU SCREEN).

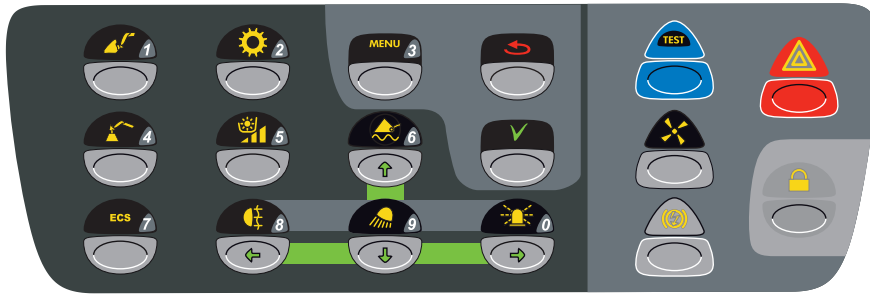


HYDRAULIC MOVEMENT NEUTRALISATION LAMP

The lamp lights when the hydraulic controls are neutralised and when a forbidden hydraulic movement is requested.

NOTE: When driving on the road, it is highly recommended that you lock all the hydraulic movements

6C - PANEL FOR BUTTONS AND KEYBOARD



A beep is sounded each time one of the buttons is pressed.



“BUCKET” MODE

Only for MT 835 ST3B / MT 1135 ST3B

See: 2 - DESCRIPTION: 7 - LONGITUDINAL STABILITY LIMITER AND WARNING DEVICE.



OPTION PROGRESSIVE TRANSMISSION “INCHING” MODE



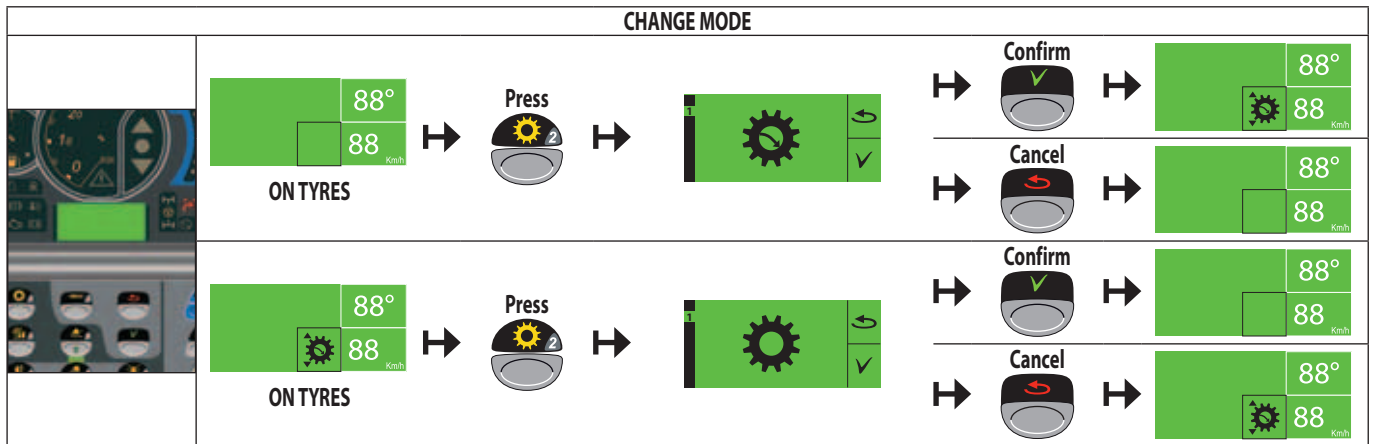
STANDARD TRANSMISSION MODE (default mode)



OPTION PROGRESSIVE TRANSMISSION “INCHING” MODE IN FORWARD AND REVERSE GEAR (OPTION)

• The  indicator on the instrument control panel will light when it is in use.

The operating screen displays the enabled mode. Press the button to display the other available mode(s).



“SUSPENDED LOAD” MODE

See: 2 - DESCRIPTION: 7 - LONGITUDINAL STABILITY LIMITER AND WARNING DEVICE.



ATTACHMENT CIRCUIT

⚠ IMPORTANT ⚠

*By default, the attachment circuit in continuous mode is disabled as soon as the operator leaves the driver's cab.
This condition can be changed from the OPT menu on the menu screen.*

ATTACHMENT CIRCUIT UNLOCKED (by default)

ATTACHMENT CIRCUIT LOCKED

• It is recommended to use this function when the lift truck is not fitted with hydraulic attachment.

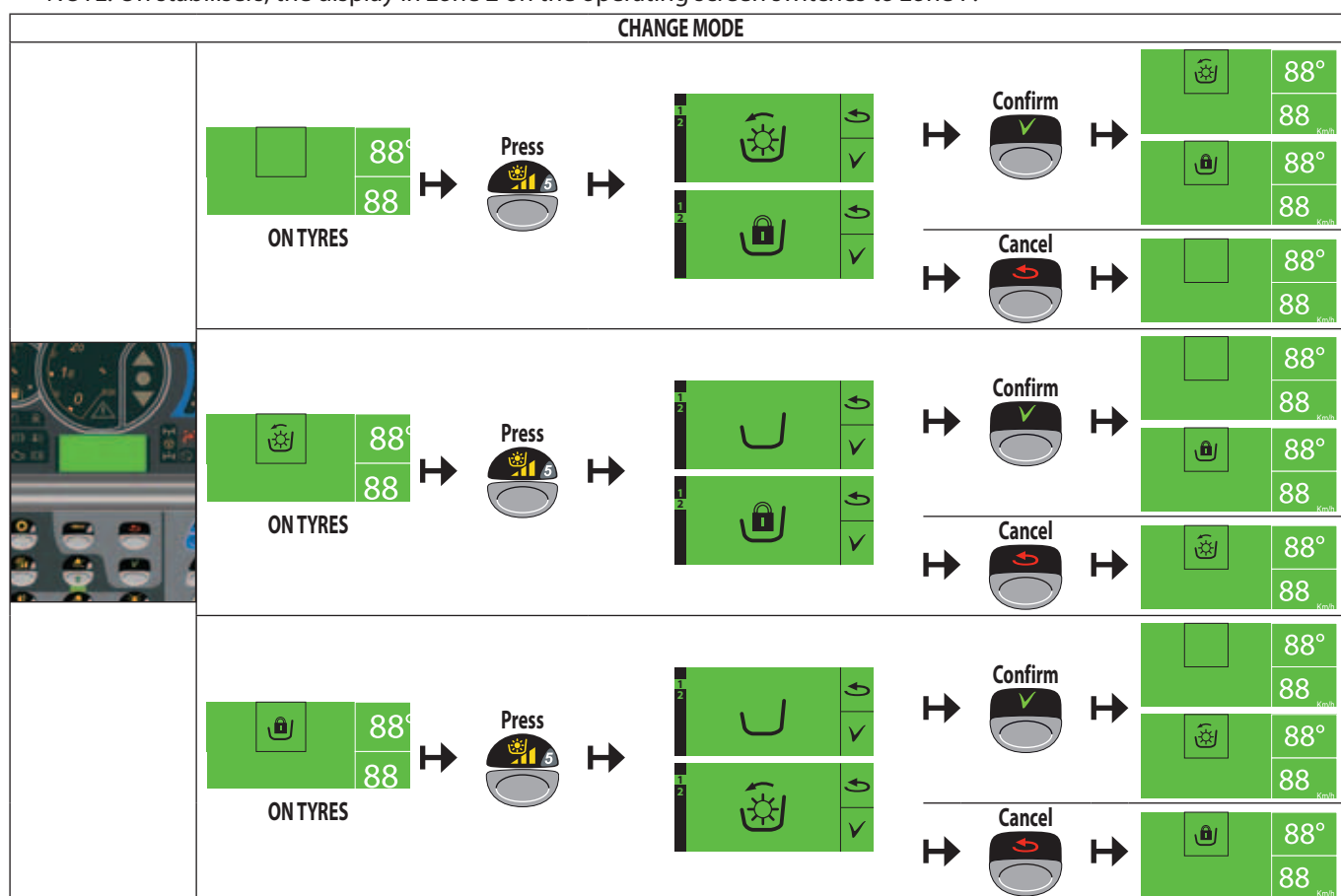
ATTACHMENT CIRCUIT IN CONTINUOUS MODE

• The indicator will light when it is in use.

The operating screen displays the enabled mode. Press button or to display the other available mode(s).

MT 1135 ST3B / MT 1335 ST3B

NOTE: On stabilisers, the display in zone 2 on the operating screen switches to zone 7.



ADJUSTING THE ATTACHMENT CIRCUIT HYDRAULIC FLOW RATE IN CONTINUOUS MODE

- The pictogram flashes, and switches to the setting screen as soon as hydraulic flow rate is selected using button A on the attachment hydraulic control lever.

- Button A forward for positive percentage (+XX %), backward for negative percentage (XX %).

- Hold button A in the same position for 4 seconds to confirm the chosen hydraulic flow rate

- Press the button , or actuate button A to return to the screen with the flashing pictogram and thus disable continuous mode.





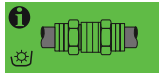
BOOM SUSPENSION OPTION (NOT AVAILABLE)



ATTACHMENT EASY HYDRAULIC CONNECTION

For easily connecting and disconnecting the attachment.

- Press for two seconds on the push-button to release the attachment circuit hydraulic pressure. Screens



and will be alternately displayed.

- Connect or disconnect the rapid connectors of the hydraulic attachment (see: 4 - OPTIONAL ATTACHMENTS FOR USE WITH THE RANGE: PICKING UP THE ATTACHMENTS).



REAR FOG LIGHT

Only works when the low beam or main beam lights are switched on. The indicator will light when in use.



FRONT WORKING HEADLIGHTS OPTION



ROTATING BEACON LIGHT

NOTE: Except in case of emergency, it is advised to disable the revolving light when the ignition is switched off to avoid a flat battery.



MENU SCREEN DISPLAY

A flashing lamp indicates a fault (see: 2 - DESCRIPTION: 6D - SCREEN DISPLAY: MENU SCREEN).



CANCEL OR BACK



CONFIRM



TESTING THE LONGITUDINAL STABILITY LIMITER AND WARNING DEVICE

See: 2 - DESCRIPTION: 7 - LONGITUDINAL STABILITY LIMITER AND WARNING DEVICE.



FAN REVERSAL OPTION (NOT AVAILABLE)



HAND-OPERATED PARKING BRAKE

The hand-operated or automatic (by default) parking brake can be configured from the OPT menu in the menu screen.



HAZARD WARNING LIGHTS

Enables the L.H. and R.H. Indicators to be switched on simultaneously, with the ignition off.

NOTA: Except in case of emergency, it is advised to disable the hazard warning lights when the ignition is switched off to avoid a flat battery.



LOCKING HYDRAULIC CONTROLS



HYDRAULIC CONTROLS AVAILABLE (by default)



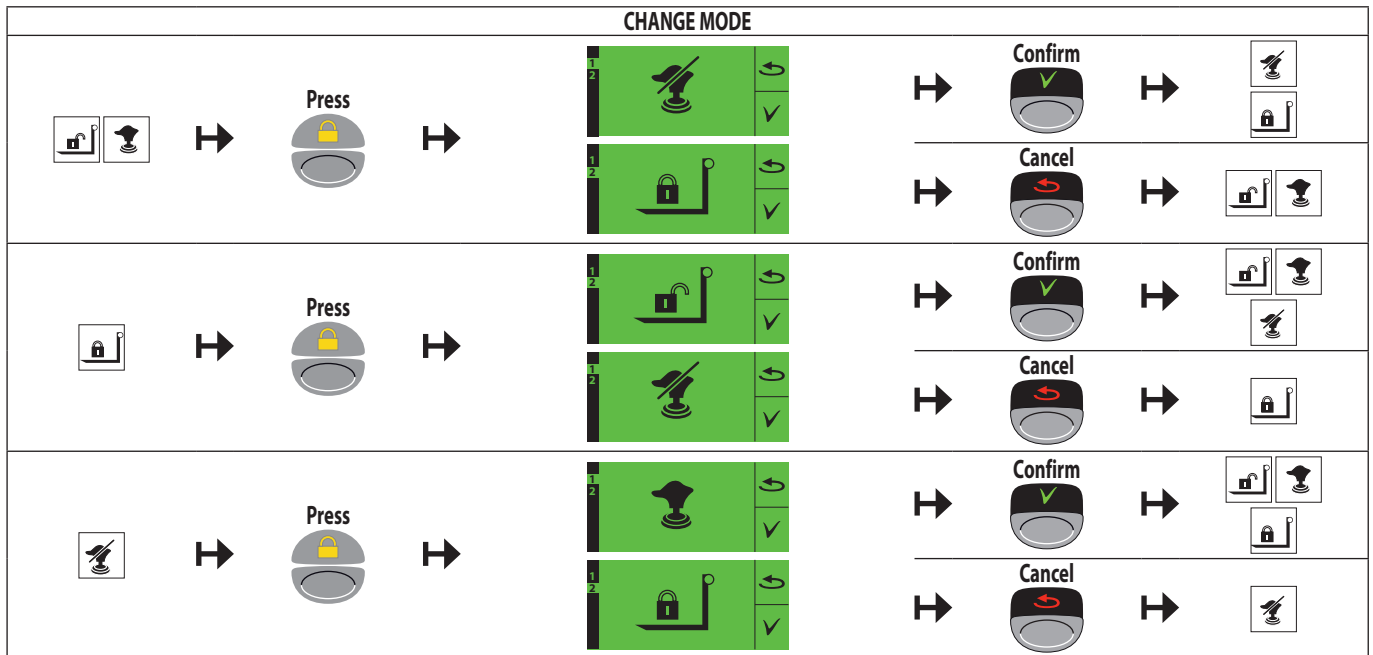
TILT CONTROL LOCKED



HYDRAULIC CONTROLS LOCKED

• When driving on the road, it is strongly recommended that you lock all hydraulic movements.

Press button or to display the other available mode(s), the first screen displayed is the opposite of the enabled mode.



6D - SCREEN DISPLAY



SCREEN OFF

Lift truck parked, with ignition off and without the driver.



LOGO SCREEN

System initialising. A beep is sounded when this screen appears. If the screen remains permanently displayed, contact your dealer.



DIGICODE SCREEN

The digicode is disabled by default. It can be enabled from the OPT menu on the menu screen. A beep is sounded when this screen appears.

- Switch on the lift truck ignition. Enter the code (default 0000) using the keys on the keyboard and confirm with the confirm button . Automatically moves to the next character.

NOTE: The code can be changed in the OPT menu in the menu screen.



HOUR METER SCREEN

With the operator present in the cab, the ignition switched off, the screen displays the total number of hours worked [888888h], the number of hours for that working day [888.88h] and the number of hours before the next major maintenance [888h].

RESETTING THE DAILY WORKING HOURS COUNTER BACK TO ZERO

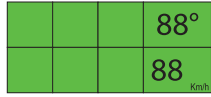
- Reset the daily hour counter to zero from the XPRT menu in the menu screen.

NOTE: Authorization of this function can be configured from the OPT menu in the menu screen.

RESETTING THE MAINTENANCE COUNTER TO 500H

- Reset the maintenance counter to 500h from the XPRT menu in the menu screen.

NOTE: The hour meter screen can be displayed as required from the operating screen by means of the button .



OPERATING SCREEN

The screen displays the lift truck's operating state (different screen for each operating mode).

1 2 3 4		88°		LIFT TRUCK ON TIRES
5 6 7 8		88 km/h		
1		Blank screen.		
		If no function is unlocked and at least one function is locked (see fault screen).		
		If at least one function is unlocked (see fault screen).		
2		Blank screen.		
		Attachment circuit unlocked.		
		Flashing screen. Attachment circuit in requested continuous mode disabled.		
		Steady screen. Attachment circuit in continuous mode enabled.		
3		Blank screen.		
		Maintenance key.		
4		Boom lifting angle in degrees.		
		Lifting angle sensor fault (contact your dealer).		
5		Blank screen.		
		Maintenance key.		
6		Blank screen.		
		Automatic exhaust particle filter regeneration disabled (see: 8 - SWITCHES).		
		High or very high soot level (see: 8 - SWITCHES).		
7		Blank screen.		
		Transmission locked in neutral, driver presence not validated.		
		OPTION Progressive INCHING transmission mode in forward and reverse gear.		
8		Lift truck speed in km/h.		
		Lift truck speed sensor fault (contact your dealer).		

1 2 3 4		88°		LIFT TRUCK ON STABILISERS MT 1135 ST3B / MT 1335 ST3B
5 6 7 8				
1		Blank screen.		
		If no function is unlocked and at least one function is locked (see fault screen).		
		If at least one function is unlocked (see fault screen).		
2		Blank screen.		
3		Blank screen.		
4		Boom lifting angle in degrees.		
		Lifting angle sensor fault (contact your dealer).		
5		Blank screen.		
		Maintenance key.		
6		Blank screen.		
		Automatic exhaust particle filter regeneration disabled (see: 8 - SWITCHES).		
		High or very high soot level (see: 8 - SWITCHES).		
7		Blank screen.		
		Attachment circuit unlocked.		
		Flashing screen. Attachment circuit in requested continuous mode disabled.		
		Steady screen. Attachment circuit in continuous mode enabled.		
		Blocked rear axle oscillation.		
		Blocked rear axle oscillation fault + + audible beep.		
8		Stabilisers resting on the ground and under pressure.	To validate the information, the last movement of the stabiliser must be lowering.	
		Left stabiliser resting on the ground and under pressure.		
		Right stabilisers resting on the ground and under pressure.		



HELP SCREEN

One of these screens appears to inform the operator of the operations to be performed in the current configuration. The appearance of this screen generates an audible beep.

	Maintenance required (see: 3 - MAINTENANCE: D - EVERY 500 HOURS SERVICE).
	Time to next maintenance in hours (see: 3 - MAINTENANCE: D - EVERY 500 HOURS SERVICE).
	Engine oil maintenance required (see: 3 - MAINTENANCE: D - EVERY 500 HOURS SERVICE).
	Engine oil maintenance OK.
	Shut the door.
	Speed too high.
	Speed too high.
	Retract the jib to raise the stabilisers. MT 1135 ST3B / MT 1335 ST3B
	Set down the stabilizers. MT 1135 ST3B / MT 1335 ST3B
	Retract the stabilizers. MT 1135 ST3B / MT 1335 ST3B
	Lower the jib.
	Using the attachment circuit in continuous mode and indicating the hydraulic capacity.
	Reset the forward/reverse selector via neutral.
	Defective indicator bulb.
	Computer over-heat (consult your dealer).
	Computer fault (consult your dealer).
	Driver presence not detected (see: 2 - DESCRIPTION: 6 - MAN-MACHINE INTERFACE (MMI)).

	Parking brake applied.
	Hydraulic attachment decompression in progress.
	Hydraulic attachment decompression in progress.
	Low fuel level.
	Ventilation fault (consult your dealer).
	High soot level in exhaust particle filter automatic regeneration enabled mode (see: 2 - DESCRIPTION: 8 - SWITCHES).
	High soot level in exhaust particle filter automatic regeneration disabled mode (see: 2 - DESCRIPTION: 8 - SWITCHES).
	Moderate soot level in exhaust particle filter automatic regeneration enabled mode (see: 2 - DESCRIPTION: 8 - SWITCHES).
	Moderate soot level in exhaust particle filter automatic regeneration disabled mode (see: 2 - DESCRIPTION: 8 - SWITCHES).
	"Stationary lift truck" exhaust particle filter regeneration in progress (see: 3 - MAINTENANCE: I - OCCASIONAL MAINTENANCE).
	Condition not met for "stationary lift truck" exhaust particle filter regeneration (see: 3 - MAINTENANCE: I - OCCASIONAL MAINTENANCE).
	Exhaust particle filter automatic regeneration enabled (see: 2 - DESCRIPTION: 8 - SWITCHES).
	Exhaust particle filter automatic regeneration disabled (see: 2 - DESCRIPTION: 8 - SWITCHES).



FAULT SCREEN



In any event, stop the lift truck and contact your dealer.

By default, the operator is not permitted to unlock the functions (see: 2 - DESCRIPTION: 6D - SCREEN DISPLAY: MENU SCREEN).

One of these screens appears when the system detects an operating defect on the lift truck. A beep is sounded when this screen appears.











These defects cause certain functions to be prohibited in order to ensure safety. However it is possible for the operator and under his own responsibility (and/or that of the person in charge of the establishment) to override the prohibition in order to secure the parking of the lift truck (e.g., unlocking the hydraulic distributor fault in order to retract and lower the jib).

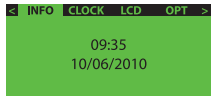
The unlocking is activated temporarily, the function will be locked again as soon as the engine is switched off.

	Jib raising fault.
	Hydraulic control fault.
	Fuel gauge fault.
	Transmission fault.
	Steering fault.
	Parking brake fault.






UNLOCKING THE FUNCTION (if authorised)

- Validate with button  to unlock the fault.

		Lock/unlock transmission fault.
		Lock/unlock stabilizer fault. MT 1135 ST3B / MT 1335 ST3B
		Lock/unlock roll fault. MT 1135 ST3B / MT 1335 ST3B
		Lock/unlock hydraulic control fault.
		Lock/unlock parking brake fault.



MENU SCREEN

- Press the button  to display the menu screen with the time and date. Navigate horizontally between menus using the buttons  and  and vertically in the sub-menus using the buttons  and .

INFO

- Time and date (by default).
- Lift truck in degraded mode and/or fault detected (see error code table).
- "Check Maintenance" appears for a few seconds if maintenance is necessary.

CLOCK

- HOUR: Change the hour.
- DATE: Change the date.
- FORM: Change the time or date format.

LCD

- BACKL: Backlight.
- CONTR: Contrast.

OPT

The contents of this menu can be accessed by means of a customer password.

- RST H: Resetting of daily hour counter to zero, permitted (by default) or not permitted.
- PARK: Hand-operated parking brake or automatic (by default).
- CFLOW: Forced operation without driver presence permitted (by default) or not permitted.
- LLMC: Disabling of aggravating hydraulic movement cut-off permitted (by default) or not permitted.
- PASS: Fault override permitted (by default) or not permitted.
- UNIT: Speed of travel displayed in MPH or Km/h (by default).
- DIGI1: Digicode enabled (by default) or not enabled.
- DIGI2: Change the 4 figure digicode (lift truck start-up).
- CUST: Change the customer code.

DIAG

The contents of this menu enables your dealer to perform a diagnosis on the Man-Machine Interface.

XPRT

- RESET > HOURM: Reset the daily working hours counter to zero.
MAINT: Reset the maintenance interval to 500 hours.
OIL: Reset the engine oil maintenance to 500h (engine stopped).
- ADMIN > ADMIN: Change the administrator code.
- ERASE > MC: Clear faults from the computer of the Man-Machine Interface.
MP1: Clear faults from computer MP1.
MP2: Clear faults from computer MP2.
- CALIB > SECU: Enter the administrator code.
GAUGE: Recalibration of strain gauge.
BOOM: Boom angle calibration.
BRAKE: Brake pedal calibration (Inching mode OPTION).

7 - LONGITUDINAL STABILITY LIMITER AND WARNING DEVICE

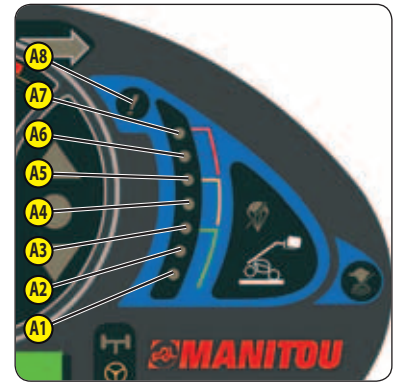
MT 835 ST3B
MT 1135 ST3B

⚠ IMPORTANT ⚠

The operator must respect the lift truck's load chart, and the operating mode according to the attachment.

This device warns the operator of the lift truck's longitudinal stability limits. However, lateral stability can reduce the load chart in the upper part, and this reduction is not detected by the device.

Depending on the type of work required, the longitudinal stability limiter and warning device allows the operator to operate the lift truck in complete safety.

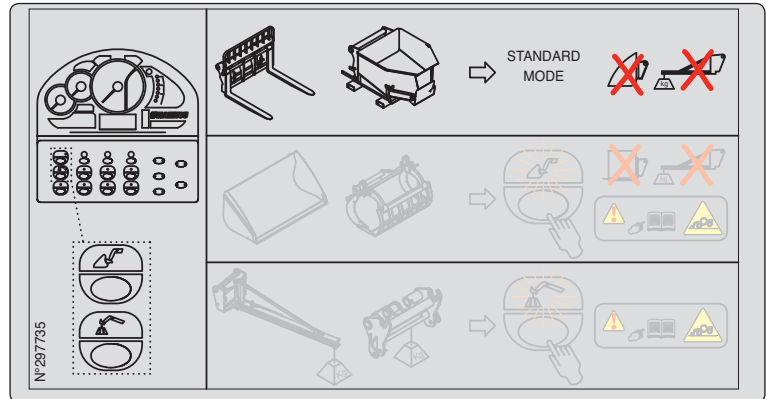


A - "HANDLING" MODE

Use on forks.

- By default, the device is in "HANDLING" MODE when the lift truck is started-up, except if the "SUSPENDED LOAD" MODE has been selected before shutting-down the engine.

- A1 - A2 - A3: There is a significant reserve of longitudinal stability.
- A4 - A5: The lift truck is nearing the limit of longitudinal stability. The alarm sounds simultaneously with a very slow intermittent sound. Move with care.
- A6: The lift truck is near at the limit of longitudinal stability. The alarm sounds with a slow intermittent sound. Move with care.
- A7: The lift truck is very near at the limit of longitudinal stability. The alarm sounds with a fast intermittent sound. Move with extreme care.
- A8: The lift truck is at the authorized limit of longitudinal stability. The alarm sounds with a very fast intermittent sound. All "AGGRAVATING" hydraulic movements are cut-off. Cut-off may be preceded by an automatic slowing of the hydraulic movement. Only make de-aggravating hydraulic movements in the following order: retract and raise the boom.



NOTE: When the boom is retracted, the function for cutting-off "AGGRAVATING" hydraulic movements is disconnected.


B - "BUCKET" MODE

Use with bucket.

- Place the lift truck in the transport position.

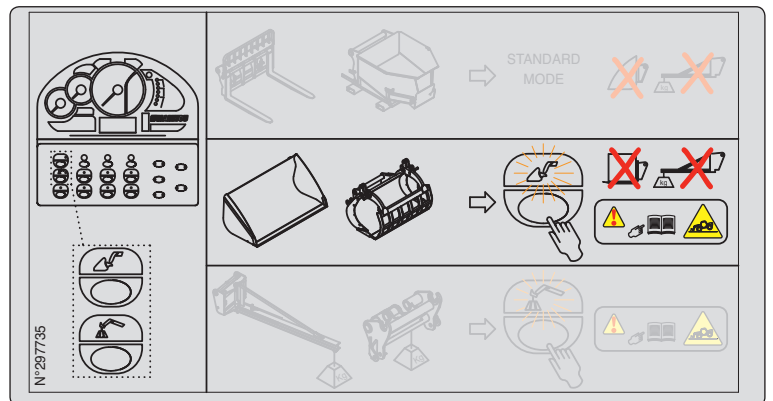
- Press the button , the "BUCKET" MODE is confirmed by an audible beep and the lighting of the light.

- Return to "HANDLING" MODE by pressing the

button , or shutting down the engine.

- A1 - A2 - A3: There is a significant reserve of longitudinal stability.
- A4 - A5: The lift truck is approaching the limit of longitudinal stability, move with care.
- A6: The lift truck is approaching the limit of longitudinal stability. An audible beep is sounded. Move with care.
- A7: The lift truck is very close to the limit of longitudinal stability. Move with extreme care.
- A8: The lift truck is at the authorized limit of longitudinal stability. Boom raising and lowering movements are cut-off, the other movements remain available. Cut-off may be preceded by an automatic slowing of hydraulic movement.

NOTE: When the boom is retracted, the function for cutting-off "AGGRAVATING" hydraulic movements is disconnected.




C - "SUSPENDED LOAD" MODE

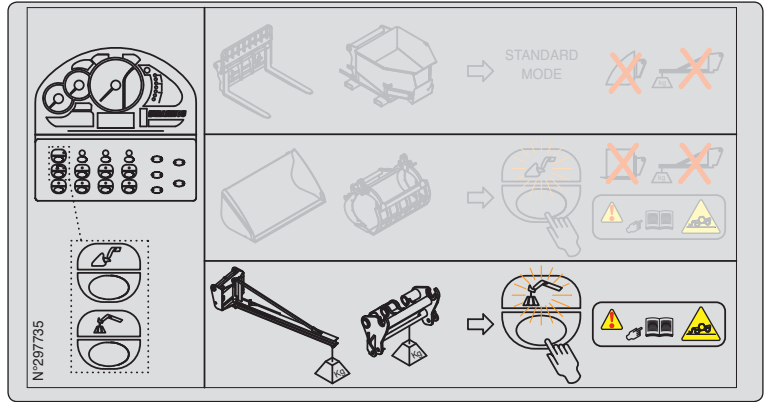
Providing a higher margin of safety, use with boom crane.


- Place the lift truck in the transport position.



- Press the button , "SUSPENDED LOAD" MODE is validated by an audible beep and the lighting of the lamp. Hydraulic tilting movements are neutralised.

NOTE: The "SUSPENDED LOAD" MODE always stays active as long as the operator does not change the mode, even after the engine is restarted.



- Return to "HANDLING" MODE by pressing the  button.
 - A1 - A2 - A3: There is a significant reserve of longitudinal stability.
 - A4 - A5: The lift truck is nearing the limit of longitudinal stability. The alarm sounds simultaneously with a very slow intermittent sound. Move with care.
 - A6: The lift truck is near at the limit of longitudinal stability. The alarm sounds with a slow intermittent sound. Move with care.
 - A7: The lift truck is very near at the limit of longitudinal stability. The alarm sounds with a fast intermittent sound. Move with extreme care.
 - A8: The lift truck is at the authorized limit of longitudinal stability. The alarm sounds with a very fast intermittent sound. All "AGGRAVATING" hydraulic movements are cut-off. Cut-off may be preceded by an automatic slowing of the hydraulic movement. Only make de-aggravating hydraulic movements in the following order: retract and raise the boom.

NOTE: When the boom is retracted, the function for cutting-off "AGGRAVATING" hydraulic movements is disconnected.

D - DISABLING "AGGRAVATING" HYDRAULIC MOVEMENT CUT-OFF



Remain very vigilant during this operation. The only information available to the operator is the lift truck's dynamic stability.


Authorization of this function can be configured from the OPT menu in the menu screen.

In certain cases, in order to get out of a difficult situation, the operator can bypass this safety system. Button D temporarily disables the cutting-off of "AGGRAVATING" hydraulic movements.

- Hold down button D, D1 lamp will light (60 second time delay), and simultaneously perform the necessary "AGGRAVATING" hydraulic movement with extreme care.

E - TESTING OF THE LONGITUDINAL STABILITY LIMITER AND WARNING DEVICE



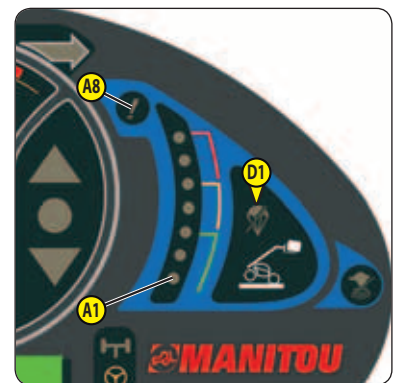
- Short press the  button to verify at any time that the longitudinal stability alarm is working.
 - Correct operation: All the LEDs A1 to A8 light for two seconds and an audible beep is sounded.

NOTE: This test does not check the proper adjustment of the longitudinal stability limiter that must be inspected daily or after every 10 hours of service (see: 3 - MAINTENANCE: A - DAILY OR EVERY 10 HOURS SERVICE).

F - STRAIN GAUGE



Disassembly or calibration of the strain gauge is prohibited, this must only be done by specially trained personnel, consult your dealer.



⚠ IMPORTANT ⚠

The operator must respect the lift truck's load chart, and the operating mode according to the attachment.

This device warns the operator of the lift truck's longitudinal stability limits. However, lateral stability can reduce the load chart in the upper part, and this reduction is not detected by the device.

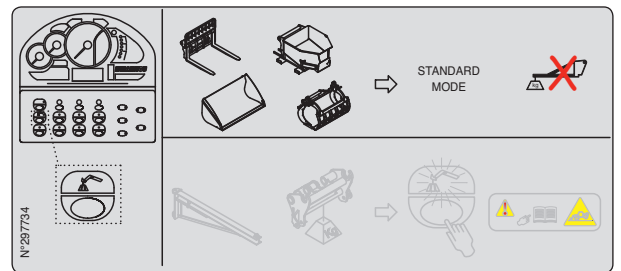
According to the type of work required, the longitudinal stability limiter and warning device allows the operator to operate the lift truck in complete safety.



A - "HANDLING" MODE

Use on forks.

- By default, the device is in "HANDLING" MODE when the lift truck is started-up, except if the "SUSPENDED LOAD" MODE has been selected before shutting-down the engine.
 - A1 - A2 - A3: There is a significant reserve of longitudinal stability.
 - A4 - A5: The lift truck is nearing the limit of longitudinal stability. The alarm sounds simultaneously with a very slow intermittent sound. Move with care.
 - A6: The lift truck is near at the limit of longitudinal stability. The alarm sounds with a slow intermittent sound. Move with care.
 - A7: The lift truck is very near at the limit of longitudinal stability. The alarm sounds with a fast intermittent sound. Move with extreme care.
 - A8: The lift truck is at the authorized limit of longitudinal stability. The alarm sounds with a very fast intermittent sound. All "AGGRAVATING" hydraulic movements are cut-off. Cut-off may be preceded by an automatic slowing of the hydraulic movement. Only make de-aggravating hydraulic movements in the following order: retract and raise the boom.




NOTE: When the boom is retracted, the function for cutting-off "AGGRAVATING" hydraulic movements is disconnected.



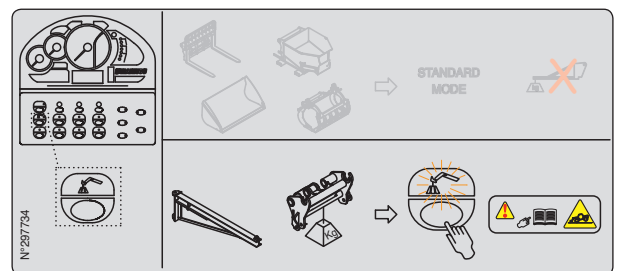
B - "BUCKET" MODE (NOT USED)


C - "SUSPENDED LOAD" MODE

Providing a higher margin of safety, use with jib crane.

- Place the lift truck in the transport position.
- Press the button , "SUSPENDED LOAD" MODE is validated by an audible beep and the lighting of the lamp. Hydraulic tilting movements are neutralised.

NOTE: The "SUSPENDED LOAD" MODE always stays active as long as the operator does not change the mode, even after the engine is restarted.



- Return to "HANDLING" MODE by pressing the  button.
 - A1 - A2 - A3: There is a significant reserve of longitudinal stability.
 - A4 - A5: The lift truck is nearing the limit of longitudinal stability. The alarm sounds simultaneously with a very slow intermittent sound. Move with care.
 - A6: The lift truck is near at the limit of longitudinal stability. The alarm sounds with a slow intermittent sound. Move with care.
 - A7: The lift truck is very near at the limit of longitudinal stability. The alarm sounds with a fast intermittent sound. Move with extreme care.
 - A8: The lift truck is at the authorized limit of longitudinal stability. The alarm sounds with a very fast intermittent sound. All "AGGRAVATING" hydraulic movements are cut-off. Cut-off may be preceded by an automatic slowing of the hydraulic movement. Only make de-aggravating hydraulic movements in the following order: retract and raise the boom.

NOTE: When the boom is retracted, the function for cutting-off "AGGRAVATING" hydraulic movements is disconnected.

D - DISABLING "AGGRAVATING" HYDRAULIC MOVEMENT CUT-OFF

⚠ IMPORTANT ⚠

Remain very vigilant during this operation. The only information available to the operator is the lift truck's dynamic stability.


Authorization of this function can be configured from the OPT menu in the menu screen.

In certain cases, in order to get out of a difficult situation, the operator can bypass this safety system. Button D temporarily disables the cutting-off of "AGGRAVATING" hydraulic movements.

- Hold down button D, lamp D1 will light (60 second time delay), and simultaneously perform the necessary "AGGRAVATING" hydraulic movement with extreme care.

E - TESTING OF THE LONGITUDINAL STABILITY LIMITER AND WARNING DEVICE



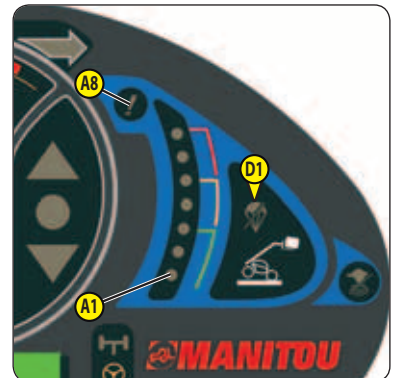
- Short press the button  to verify at any time that the longitudinal stability alarm is working.
 - Correct operation: All the LEDs A1 to A8 light for two seconds and an audible beep is sounded.

NOTE: This test does not check the proper adjustment of the longitudinal stability limiter that must be inspected daily or after every 10 hours of service (see: 3 - MAINTENANCE: A - DAILY OR EVERY 10 HOURS SERVICE).

F - STRAIN GAUGE

⚠ IMPORTANT ⚠

Disassembly or calibration of the strain gauge is prohibited, this must only be done by specially trained personnel, consult your dealer.



8 - SWITCHES

A - REAR WORKING LIGHTS OPTION

B - WORKING LIGHTS ON TELESCOPE OPTION

C - ROOF WINDSCREEN WIPER AND WINDSCREEN WASHER

This switch, when set in the "high" position, allows the windscreen wiper to be worked and with the "down" position pressed, the windscreen-washer to be operated.

D - SIDE WINDSCREEN WIPER AND WINDSCREEN WASHER

This switch, when set in the "high" position, allows the windscreen wiper to be worked and with the "down" position pressed, the windscreen-washer to be operated.

E - REAR WINDSCREEN DEFROST OPTION

F - OPTION

G - OPTION

H - ELECTRICAL PREDISPOSITION ON TELESCOPE OPTION

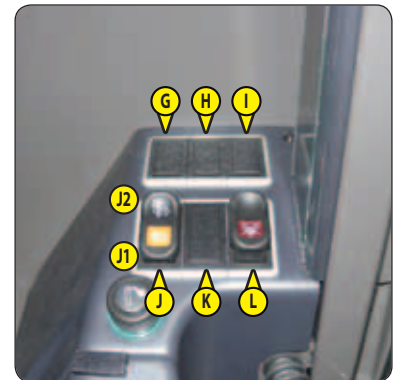
See: 2 - DESCRIPTION: DESCRIPTION AND USE OF THE OPTIONS.

I - OPTION

J - EXHAUST PARTICLE FILTER REGENERATION

- J1: DISABLE AUTOMATIC REGENERATION
- J2: "STATIONARY LIFT TRUCK" REGENERATION
(see: 3 - MAINTENANCE: I2 - "STATIONARY LIFT TRUCK" EXHAUST PARTICLE FILTER)

J1: DISABLE AUTOMATIC REGENERATION





⚠ IMPORTANT ⚠


Disabling automatic regeneration of the exhaust particle filter is a function that is only to be used in case of necessity (confined or unventilated space, ...).












By default, exhaust particle filter automatic regeneration is enabled each time the lift truck is started.

- To disable automatic regeneration of the exhaust particle filter, hold down the bottom of the switch. The temporary

display of the screen  and an audible beep followed by the screen  on the operating display confirm that it has been disabled.

- To re-enable automatic regeneration of the exhaust particle filter, hold down the bottom of the switch again.

The temporary display of the screen  and an audible beep confirm that it has been re-enabled.

MANAGEMENT OF EXHAUST PARTICLE FILTER REGENERATION	
INDICATIONS	ACTIONS
 +1 short beep. Moderate soot level.	The screen  appears on the operating display, the switching on of the indicator light  and the speeding up of the engine idling speed indicates that automatic regeneration is in progress. NOTE: Preferably wait until automatic regeneration is completed before switching off the ignition.
 +1 short beep. Moderate soot level, automatic regeneration disabled.	Enable automatic regeneration at the earliest possible time.
 +  +1 long beep. High soot level.	Reduced lift truck efficiency, only "stationary lift truck" regeneration can be performed (see: 3 - MAINTENANCE: OCCASIONAL MAINTENANCE).
 +  +1 long beep. High soot level, automatic regeneration disabled.	
 +  +  +1 short beep. Very high soot level, particle filter clogged.	<p><i>Reduced lift truck efficiency, shut down the lift truck and contact your dealer.</i></p>

K - SINGLE OR DUAL EFFECT REAR HYDRAULIC CONTROL PREDISPOSITION OPTION

See: 2 - DESCRIPTION: DESCRIPTION AND USE OF THE OPTIONS.

L - DISABLING AGGRAVATING HYDRAULIC MOVEMENTS

See: 2 - DESCRIPTION: 7 - LONGITUDINAL STABILITY LIMITER AND WARNING DEVICE.

9 - FUSES AND RELAYS IN THE CAB

A sticker on the inside of the access panel gives a clear display of the use of the components described below.

- Remove access panel 1 to gain access to the fuses and relays, Replace a used fuse with a new fuse of the same quality and capacity. Never reuse a repaired fuse.

RELAYS

- K1 - OPTION.
- K2 - Front windshield wiper intermittence relay.
- K3 - OPTION.
- K4 - OPTION Front working light relay.
- K5 - Heating and ventilation relays.
- K6 - OPTION Engine oil heater relay.

MINIFUSE

- F1 - OPTION Front working lights (15A/20A).
Xenon front working lights (15A/20A).
- F2 - OPTION Rear hydraulic predisposition (7,5A).
- F3 - OPTION Rear hydraulic control switch power supply (15A).
- F4 - Heating and ventilation (2A).
- F5 - Disabling "AGGRAVATING" hydraulic movement cut-off (2A).
- F6 - OPTION Electrical boom predisposition (15A).
- F7 - Digicode (2A).
- OPTION Anti-start system (2A).
- F8 - OPTION Pneumatic seat (15A).
- F9 - Ignition (2A).
- F10 - OPTION Car radio (2A).
- F11 - Cigarette lighter (10A).
- F12 - Front windscreen wiper and windscreen washer K2 (15A).
- F13 - Rear windscreen wiper and windscreen washer (10A).
- F14 - OPTION Relay K1 (15A).
- F15 - OPTION (15A).
- F16 - OPTION Working lights on boom (15A/25A).
- F17 - OPTION Rear working light (15A).
- F18 - OPTION Rear window de-icing (15A).
- F19 - OPTION Roof windscreen wiper and windscreen washer (7,5A).
- F20 - Window winder (15A).
- F21 - Roof light + door switch + driver seat switch (3A).
- F22 - Man-Machine Interface (MMI) (3A).
- F23 - OPTION (2A).
- F24 - Front windscreen wiper motor (15A).
- F25 - OPTION Immobiliser (2A).
- F26 - OPTION Car radio (7,5A).
- F27 - Rear windscreen wiper motor (15A).
- OPTION Roof and side windscreen wiper motors (15A).
- F28 - Diagnostic socket (5A).
- F29 - Free.
- F30 - Heating and ventilation (20A).
- F31 - Starter safety (5A).
- F32 - OPTION Side windscreen wiper and windscreen washer (7,5A).
- F33 - Diagnostic socket (5A).
- F34 - OPTION (2A).
- F35 - OPTION (2A).
- F36 - OPTION (2A).
- F37 - OPTION Inching (15A).
- F38 - OPTION Engine oil vapour reheater (3A).
- F39 - Free.
- F40 - Free.



F46		F40		F30	20A	F20	15A	F10	2A		
F45	30A	F39		F29		F19	7,5A	F9	2A		
F44	40A	F38	OPT 3A	F28	5A	F18	15A (maxi)	F8	15A		
F43	50A	F37	OPT 15A	F27	15A	F17	15A	F7	2A		
F42	40A	F36	2A	F26	7,5A	F16	15A (maxi)	F6	OPT 15A (maxi)		
F41		F35	2A	F25	2A	F15	15A (maxi)	F5	2A		
		F34	2A	F24	15A	F14	K1 15A (maxi)	F4	2A		
		F33	5A	F23	2A	F13	10A	F3	15A (maxi)		
		F32	7,5A	F22	3A	F12	15A	F2	OPT 7,5A		
		F31	5A	F21	3A	F11	10A	F1	20A		
										K3	K6
											OPT
										K2	K5
										K1	K4

N°301984

MAXIFUSE

- F41 - Free.
- F42 - Electronic box MP2 (40A).
- F43 - Ignition switch (50A).
- F44 - Electronic box MP1 (40A).
- F45 - OPTION Air conditioning compressor + fan (30A).
- F46 - Free.

10 - FUSES AND RELAYS UNDER THE ENGINE HOOD

- Open engine hood 1 in order to gain access to the fuses and relays. Replace a used fuse with a new fuse of the same quality and capacity. Never reuse a repaired fuse.

RELAYS

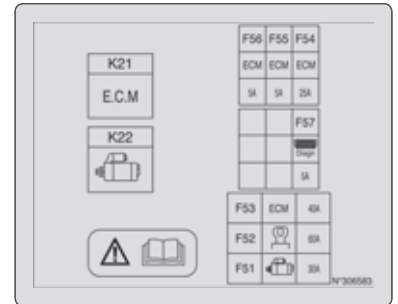
- K21 - Engine computer power supply relay.
- K22 - Starter control relay.

MAXIFUSE

- F51 - Starter control relay K22 (30A).
- F52 - Engine preheating module (60A).
- F53 - Engine computer power supply relay (40A).

MINIFUSE

- F54 - Engine computer power supply (25A).
- F55 - Engine computer power supply (5A).
- F56 - Engine computer relay control (5A).
- F57 - Lambda probe + diagnostic socket (5A).



11 - DOOR PRESENCE SENSORS

See: 2 - DESCRIPTION: 6 - MAN-MACHINE INTERFACE (MMI).

12 - CIGARETTE LIGHTER

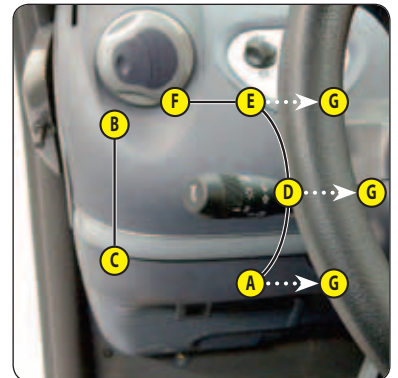
13 - LIGHTING, HORN AND INDICATOR SWITCH

The switch controls the visual and sound alarms.

- A - All lights are off, the direction indicators do not flash.
- B - The right hand direction indicators flash.
- C - The left hand direction indicators flash.
- D - The sidelights and the rear lights are on.
- E - The dipped headlights and the rear lights are on.
- F - The main beam headlights and the rear lights are on.
- G - Headlight signal.

Pressing the switch sounds the horn.

NOTE: Positions D - E - F - G can be used without the ignition being on.



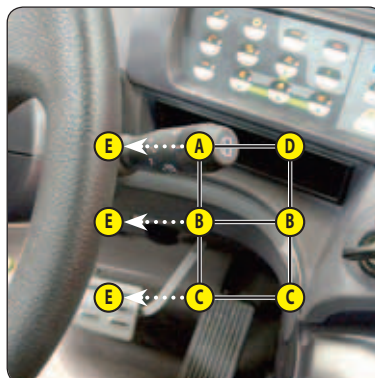
14 - FRONT AND REAR WINDSCREEN WIPER SWITCH

FRONT WINDSCREEN WIPER

- A - Front windscreen wiper stop.
- B - Slow speed for front windscreen wiper.
- C - Fast speed for front windscreen wiper.
- D - Front windscreen wiper intermittent control.
- E - Front windscreen washer, pulse-driven.

REAR WINDSCREEN WIPER

- F - Rear windscreen wiper stop.
- G - Rear windscreen wiper.
- H - Rear windscreen washer, pulse-driven.



15 - FUNCTION FILES

These files contain the description of the hydraulic controls and the load charts for the attachments used on the lift truck.

16 - HYDRAULIC CONTROLS

Authorization for using the hydraulic controls is given by the validation of the driver's presence (see: 2 - DESCRIPTION: 6 - MAN-MACHINE INTERFACE (MMI)) and if the conditions for using the hydraulic control are followed.

⚠ IMPORTANT ⚠

Do not attempt to alter the hydraulic system pressure. In the event of suspected malfunction, contact your dealer. ANY ALTERATION MAY RENDER THE WARRANTY NULL AND VOID.

Use the hydraulic controls carefully without jerking, to avoid accidents caused by shaking the lift truck.

MT 835 ST3B

- A - Lifting and tilting control lever.
- B - Telescoping control button.
- C - Attachment control button.



LIFTING THE LOAD

- The lever A backwards when lifting.
- The lever A forwards when lowering.

TILT OF CARRIAGE

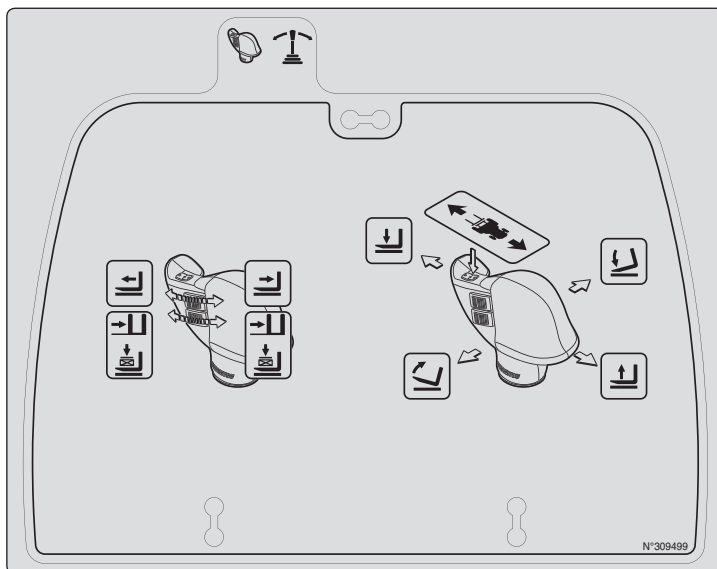
- The lever A to the left for reverse tilt.
- The lever A to the right for forward tilt.

TELESCOPING

- Button B forwards for extending.
- Button B backwards for retracting.

ATTACHMENT

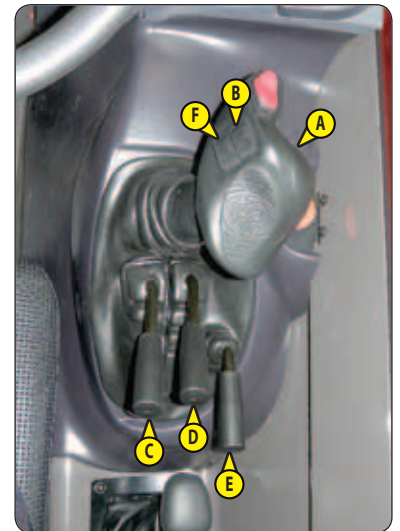
- Button C forwards or backwards.



MT 1135 ST3B

MT 1335 ST3B

- A - Lifting and tilting control lever.
- B - Telescoping control button.
- C - Left stabiliser control lever.
- D - Right stabiliser control lever.
- E - Tilting corrector control lever.
- F - Attachment control button.



LIFTING THE LOAD

- The lever A backwards when lifting.
- The lever A forwards when lowering.

TILT OF CARRIAGE

- The lever A to the left for reverse tilt.
- The lever A to the right for forward tilt.

TELESCOPING

- Button B forwards for extending.
- Button B backwards for retracting.

Only for MT 1335 ST3B

NOTE: When completely retracting the telescopes, insistently operate the control so as to allow all the telescopes to retract fully.

L.H. STABILISER

- Move lever C forwards to lower.
- Move lever C backwards to lift.

R.H. STABILISER

- Move lever D forwards for lowering.
- Move lever D backwards for lifting.

NOTE: The stabilisers can only be raised if the telescopic sections are retracted and the lifting angle of the boom is less than 62°.

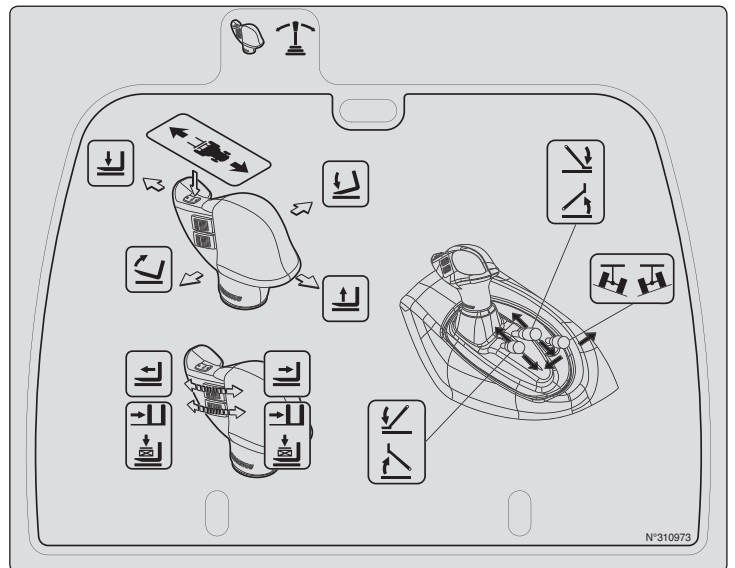
TILTING CORRECTOR

- Move lever E to the left to tilt the lift truck to the left.
- Move lever E to the right to tilt the lift truck to the right.

NOTE: The tilt correction may only be performed if the lifting angle for the boom is less than 30°.

ATTACHMENT

- Button F forwards or backwards.



17 - ACCELERATOR PEDAL

18 - SERVICE BRAKE PEDAL

The pedal acts on the front and rear wheels by a power assisted hydraulic brake system, and allows the lift truck to be slowed down and stopped.

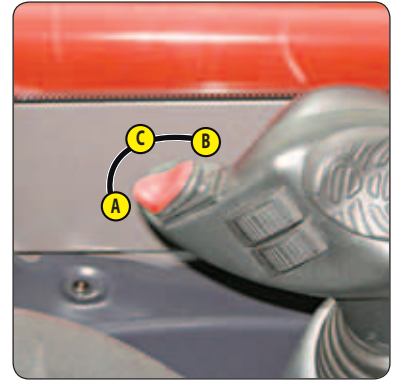
19 - FORWARD/NEUTRAL/REVERSE GEAR SELECTION

Authorisation to use the gear selector is given by validation of driver presence (see: 2 - DESCRIPTION: 6 - MAN-MACHINE-INTERFACE MMI).

When operating this control, the lift truck should be travelling at slow speed and not accelerating.

- FORWARD GEAR: Push the switch forward (position A), indicator light A1 will flash then remain steady the moment you press on the accelerator pedal.
- REVERSE: Push the switch backward (position B), indicator light B1 will flash then remain steady the moment you press on the accelerator pedal. Reversing lights and a reversing sound alarm indicate that the lift truck is running in reverse.
- NEUTRAL: Set the switch to the centre position (position C), indicator light C1 will come on and the handbrake is applied (by default).

NOTE: An indicator light that flashes while the lift truck is in use indicates a fault (see: 2 - DESCRIPTION: 6D - SCREEN DISPLAY: MENU SCREEN).



20 - GEAR LEVER

In order to change gear, it is necessary to cut the transmission by pressing button 1 on the lever.

- 1st gear: To the left, backwards.
- 2nd gear: To the left, forwards.
- 3rd gear: To the right, backwards.
- 4th gear: To the right, forwards.

CONDITION FOR USING THE TRANSMISSION GEAR RATIOS

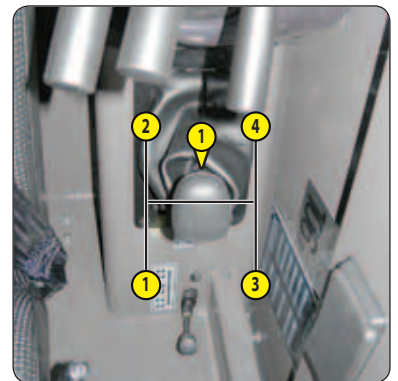
NOTE: On these lift trucks with a torque converter, it is not necessary to systematically start up in 1st speed and progress up the gears.

⚠ IMPORTANT ⚠

The choice of transmission gear ratio should be made carefully according to the nature of the work being carried out.

A poor choice may result in the extremely rapid rise of the transmission oil temperature through excessive slipping of the converter, which could lead to serious damage to the transmission (it is essential to stop and change the working conditions if the transmission oil temperature indicator light comes on).

This poor choice may also result in a reduction in the lift truck's performance in forward gear. When the forward force increases, the forward speed in the r gear (for example, in 3rd gear) may be lower than the forward speed that could be obtained with the r-1 gear (in 2nd instead of 3rd).



In general, we would advise you to use the following gears according to the nature of the work being carried out.

- On the road: Set off in 3rd gear and go up to 4th if the conditions and state of the road permit it. In hilly areas, set off in 2nd gear and go up to 3rd if the conditions and state of the road permit it.
- With a trailer on the road: Set off in 2nd gear and switch to 3rd if the conditions and state of the road permit it.
- Handling: 3rd gear.
2nd gear in restricted spaces.
- Earth moving: 1st gear.
- Loading (reclaiming with bucket, manure fork, ...): 2nd gear.

21 - STEERING SELECTION

A - GREEN WHEEL ALIGNMENT LAMPS

⚠ IMPORTANT ⚠

Before selecting one of the three possible steering positions, bring all 4 wheels into alignment with regards to the lift truck axle.

Never change the steering mode whilst driving.

These lamps come on to indicate the alignment of the wheels in relation to the lift truck. Lamp A1 for the front wheels and lamp A2 for the rear wheels.

B - STEERING SELECTION LEVER

- B1 - Front drive wheels (highway traffic).
- B2 - Front and rear drive wheels in opposite direction (short steering lock).
- B3 - Front and rear drive wheels in the same direction (crab steering).

CONTROL FOR ALIGNMENT OF THE WHEELS

⚠ IMPORTANT ⚠

Before driving on roads, it is necessary to check the alignment of the rear wheels and to drive in front wheel steer. The control of the alignment of the rear wheels must be regularly done with the help of the green lamps, while driving the lift truck.

In case of anomalies, consult your dealer.

- Shift the steering selection lever B into position B2 (short steering lock).
- Turn the steering wheel and bring the rear wheels into alignment until lamp A2 comes on.
- Shift the steering selection lever B into position B1 (highway traffic).
- Turn the steering wheel and bring the front wheels into alignment until lamp A1 lights up.



22 - HEATER CONTROL

A - FAN CONTROL

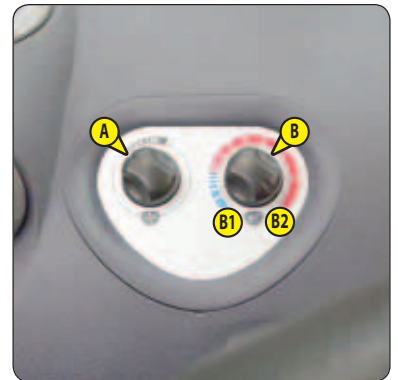
This 3-speed control allows the air to be ventilated through the air vents.

B - TEMPERATURE CONTROL

Allows the temperature inside the cab to be adjusted.

- B1 - The fan pumps in the air at ambient temperature.
- B2 - The fan pumps in warm air.

The intermediate positions allow the temperature to be adjusted.



23 - AIR CONDITIONING CONTROLS (OPTION AIR CONDITIONING)

⚠ IMPORTANT ⚠

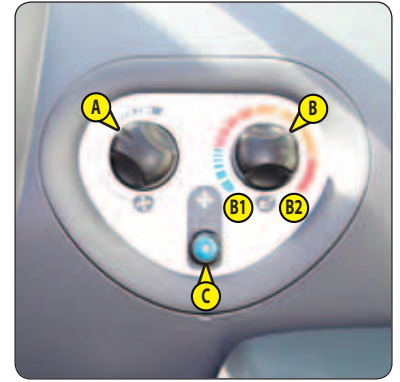
The air conditioning only works if the lift truck has been started up.

When using your air conditioning unit you must work with the cab closed.

In winter: So as to ensure correct operation and complete efficiency of the air conditioning unit, start up the compressor once a week, if only for a short spell, so as to lubricate the internal seals.

In cold weather: Warm the engine before switching on the compressor, so as to allow the coolant that has collected in a liquid state at the lowest point of the compressor circuit to turn into gas under the effect of the heat given off by the engine, as the compressor is liable to be damaged by coolant in a liquid state.

*If your air conditioning does not seem to be working correctly, have it examined by your dealer (see 3 – MAINTENANCE: F - EVERY 2000 HOURS OF SERVICE).
Never attempt to repair any faults yourself.*



A - FAN CONTROL

This 3-speed control allows the air to be ventilated through the air vents.

B - TEMPERATURE CONTROL

Allows the temperature inside the cab to be adjusted.

- B1 - The fan pumps in cold air.
- B2 - The fan pumps in warm air.

The intermediate positions allow the temperature to be adjusted.

C - AIR CONDITIONING CONTROL

This control with a pilot light allows the air conditioning unit to be switched on.

HEATING MODE

- The controls must be adjusted in the following way:
 - C - Control with pilot light off.
 - B - At the required temperature.
 - A - At the desired speed: 1, 2 or 3.

CONDITIONED AIR MODE

- The controls must be adjusted in the following way:
 - C - Control with pilot light on.
 - B - At the required temperature.
 - A - At the desired speed: 1, 2 or 3.

DEMISTING MODE

- The controls must be adjusted in the following way:
 - C - Control with pilot light on.
 - B - At the required temperature.
 - A - At speed 2 or 3.
- For optimum effectiveness, close the heating ventilators.

24 - HEATING VENTS

These swivelling heating vents, which can be shut off, allow you to direct and adjust the flow rate inside the cab.

25 - DEMIST VENTS

These vents allow the front windscreen and side windows to be demisted. For optimum efficiency, shut off the heating vents.

26 - LEVEL INDICATORS

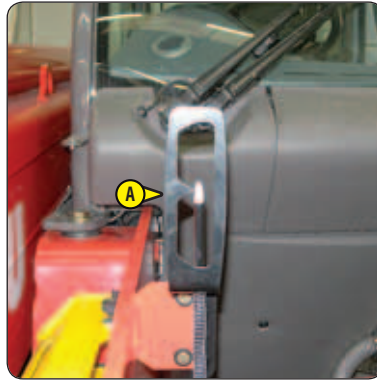
A - TILT INDICATOR

MT 1135 ST3B / MT 1335 ST3B

When the two marks are aligned, the chassis is parallel with the front axle.

B - SPIRIT LEVEL

Enables the operator to check that the lift truck is in the horizontal position.



27 - DOOR OPEN LEVER

28 - DOOR CLOSE HANDLE

29 - WINDOW REGULATOR SWITCH

30 - SIDE STORAGE SPACE

31 - CEILING LIGHT

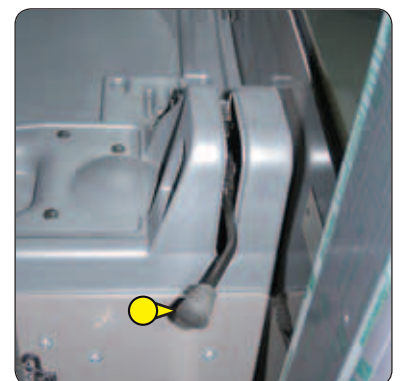
32 - HANDLE FOR REAR WINDOW OPENING

EMERGENCY EXIT

- Use the rear window as an emergency exit, if it is impossible to leave the cab by the door.



33 - HANDLE FOR REAR WINDOW CLOSING



34 - STEERING WHEEL ADJUSTMENT LEVER

This handle enables the angle and height of the steering wheel to be adjusted.

- Pull the knob backwards.
- Adjust the steering wheel to the desired position.
- Push the knob back to lock the steering wheel in position.



35 - DOCUMENT HOLDER NET

Make sure that the operator's manual is in the right place, i.e. in the document holder net.

NOTE: An OPTION waterproof document-holder exists.

36 - ASHTRAY

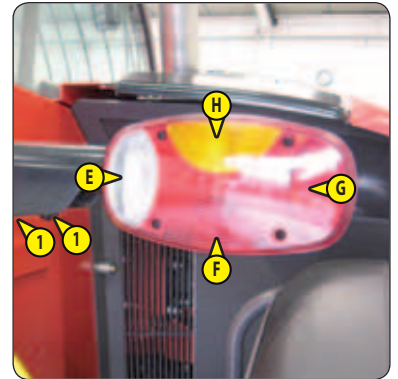
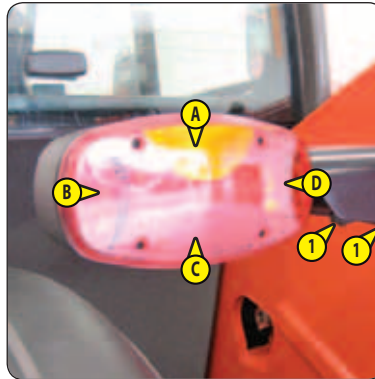
37 - FRONT HEADLIGHTS

- A - Left front indicator light.
- B - Left front dipped beam headlight.
- C - Left front main beam headlight.
- D - Left front sidelight.
- E - Right front indicator light.
- F - Right front dipped beam headlight.
- G - Right front main beam headlight.
- H - Right front sidelight.



38 - REAR LIGHTS

- A - Left rear indicator light.
- B - Left rear stoplight.
- C - Left rear headlight.
- D - Rear fog light.
- E - Rear reversing light.
- F - Right rear headlight.
- G - Right rear stoplight.
- H - Right rear indicator light.



⚠ IMPORTANT ⚠

When driving on the road, widen the rear lights by means of the thumbscrews 1.

- I - Handling position.
- J - Road driving position.



39 - ROTATING BEACON LIGHT

The magnetic rotating beacon light must be clearly visible on the roof of the cab and plugged-in to socket 1.



40 - INSIDE REAR-VIEW MIRROR

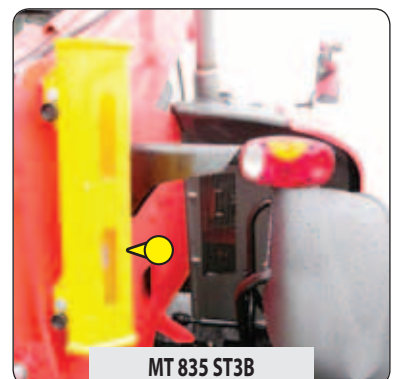


41 - BOOM SAFETY WEDGE

⚠ IMPORTANT ⚠

Only use the wedge supplied with the lift truck.

The lift truck is equipped with a boom safety wedge that must be installed on the rod of the lifting cylinder when working beneath the boom (see: 1 - OPERATING AND SAFETY INSTRUCTIONS).



TOWING PIN AND HOOK

⚠ IMPORTANT ⚠

Do not tow a trailer or attachment which is not in perfect working order.

Using a trailer in poor condition may affect the lift truck's steering and braking, and hence safety.

If a third party helps in coupling or uncoupling the trailer, this person must be permanently visible to the driver and wait until the lift truck has stopped, the handbrake is on and the I.C. engine is switched off before performing the operation.

Located at the rear of the lift truck, this device is used to attach a trailer. Its capacity is limited for each lift truck by the authorized gross vehicle weight, tractive effort and maximum vertical force on the coupling point. This information is given on the manufacturer's plate fixed to each lift truck (see: 2 - DESCRIPTION: IDENTIFICATION OF THE LIFT TRUCK).

- To use a trailer, see current regulations in your country (maximum running speed, braking, maximum weight of trailer, etc.).
- Verify the trailer's condition before using it (tyre condition and pressures, electrical connection, hydraulic hose, brake system...).

1 - TOWING PIN

⚠ IMPORTANT ⚠

Be careful not to get your fingers caught or crushed during this operation.

Do not forget to put pin back in place.

When uncoupling, make sure that the trailer is supported independently.

COUPLING AND UNCOUPLING THE TRAILER

- To couple the trailer, position the lift truck as close as possible to the trailer ring.
- Switch off the I.C. engine.
- Remove the pin 1, lift the trailer pin 2 and place or remove the trailer ring.



2 - ADJUSTABLE PROJECTING HOOK (OPTION)

⚠ IMPORTANT ⚠

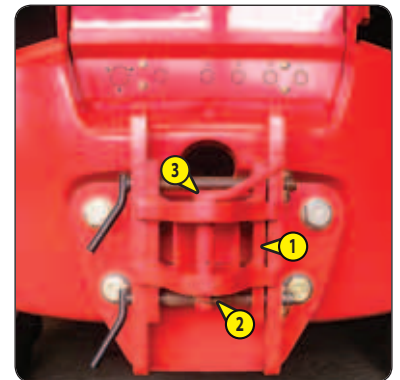
Be careful not to get your fingers caught or crushed during this operation.

Do not forget to put pin back in place.

When uncoupling, make sure that the trailer is supported independently.

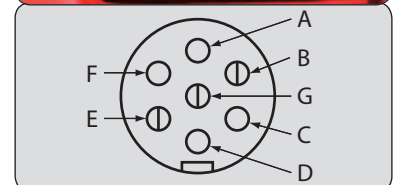
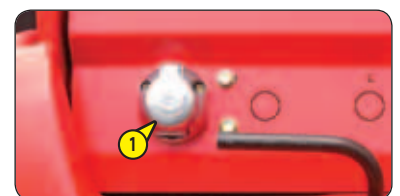
COUPLING AND UNCOUPLING THE TRAILER

- To couple the trailer, position the lift truck as close as possible to the trailer ring.
- Switch off the I.C. engine.
- Set the coupling fitting 1 according to the height of the trailer ring.
- Remove pin 2, lift the trailer pin 3 and place or remove the trailer ring.



3 - REAR ELECTRIC SOCKET (OPTION)

- Connect the male plug to the female socket 1 on the lift truck and make sure the lights of the trailer or the light bar are working properly.
 - A - Left rear indicator.
 - B - OPTION Rear fog lights.
 - C - Earth.
 - D - Right rear indicator.
 - E - Right tail light.
 - F - Rear stoplight.
 - G - Left rear light + number plate.



DESCRIPTION AND USE OF THE OPTIONS

- 1 - LICENSE PLATE LIGHT
- 2 - FINTRONIC ANTI-START SYSTEM
- 3 - MODCLE ANTI-START SYSTEM
- 4 - BOOM ELECTRICAL PREDISPOSITION
- 5 - QUICK-RELEASE COUPLER ON ATTACHMENT CIRCUIT
- 6 - ANGULAR SECTOR ON BOOM
- 7 - EXTERIOR DRAIN-BACK
- 8 - ATTACHMENT HYDRAULIC LOCKING
- 9 - TELESCOPE HEAD ELECTROVALVE
- 10 - TELESCOPE HEAD ELECTROVALVE + HYDRAULIC ATTACHMENT LOCKING
- 11 - SINGLE SIDE-SHIFT CARRIAGE (TSDL)
- 12 - SINGLE OR DUAL EFFECT REAR HYDRAULIC CONTROL PREDISPOSITION
- 13 - LIFTING RING ON SINGLE CARRIAGE

1 - LICENSE PLATE LIGHT



2 - FINTRONIC ANTI-START SYSTEM

OPERATION

- Switch on the lift truck and set the black key A next to the antenna B (maximum 80 mm).
- Wait a few seconds for red LED C to go out before starting the lift truck.

NOTE: You can restart the lift truck within 20 seconds of stopping it: after this time, the anti-start system reacts and red LED C flashes.

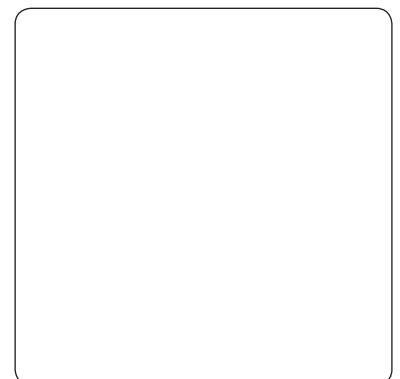


3 - MODCLE ANTI-START SYSTEM

OPERATION

- Switch on lift truck ignition, red led 1 will flash.
- Apply key 2 to its base 3, and withdraw the moment the system emits a continuous beep, and led 1 turns green.
- Start the lift truck within the next 20 seconds; otherwise the anti-theft system will be reactivated and red led 1 will flash.

NOTE: You can restart the lift truck within 20 seconds of stopping it: after this time, the anti-start system reacts and red LED C flashes.

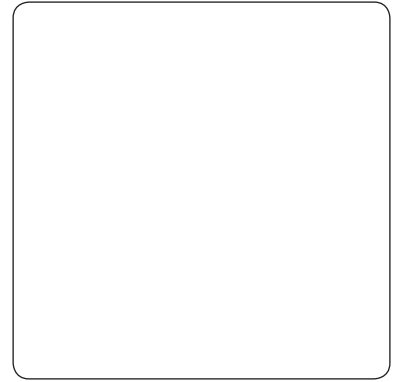


4 - BOOM ELECTRICAL PREDISPOSITION

Enables an electrical function to be used at the head of the boom.

OPERATION

- Set switch 1 to position A to enable the predisposition, the indicator lights up to show that it is enabled.



5 - QUICK-RELEASE COUPLER ON ATTACHMENT CIRCUIT



6 - ANGULAR SECTOR ON BOOM

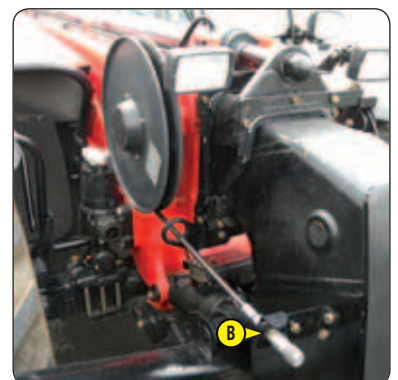
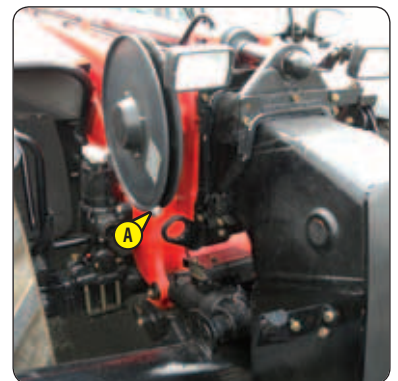
The angular sector displays the boom angle, and thus improves the reading of the load charts.



7 - EXTERIOR DRAIN-BACK

Enables connection of an attachment for which drain-back is required.

- A - Fixed position, drain back not connected.
- B - Movable position, drain back connected.



8 - ATTACHMENT HYDRAULIC LOCKING

Enables the attachment to be locked onto the carriage and a hydraulic attachment to be used by the same hydraulic circuit.

⚠ IMPORTANT ⚠

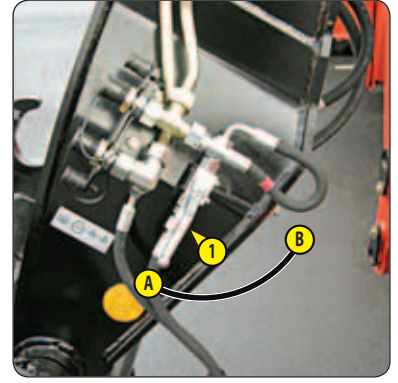
Once the attachment is locked, return valve 1 to position A to prevent accidental release of the attachment.

ATTACHMENT LINE CONTROL

- Set valve 1 to position A.
- Push button 2 forward or backward.

ATTACHMENT LOCKING CONTROL

- Set valve 1 to position B.
- Push button 2 forward to lock the attachment and backward to release it.



9 - TELESCOPE HEAD ELECTROVALVE

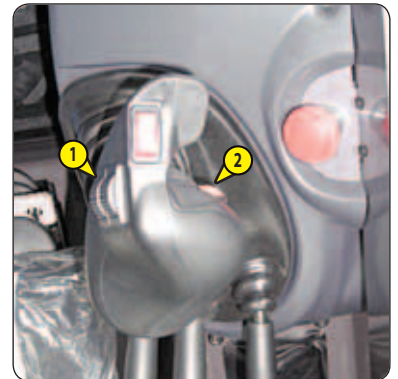
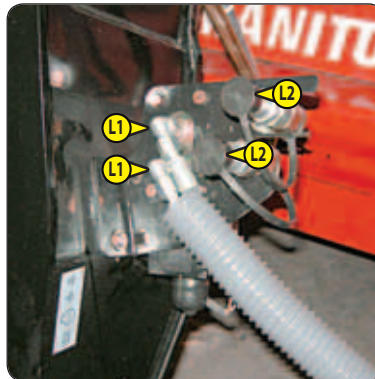
Enables use of two hydraulic functions on the attachment circuit.

ATTACHMENT LINE L1 CONTROL

- Push button 1 forward or backward.

ATTACHMENT LINE L2 CONTROL

- Hold down button 2 and push button 1 forwards or backwards.



10 - TELESCOPE HEAD ELECTROVALVE + HYDRAULIC ATTACHMENT LOCKING

The addition of these two options on the attachment line allows two hydraulic functions to be used and locks the attachment onto the carriage.

⚠ IMPORTANT ⚠

Once the attachment is locked, return valve 1 to position A to prevent accidental release of the attachment.

ATTACHMENT LINE L1 CONTROL

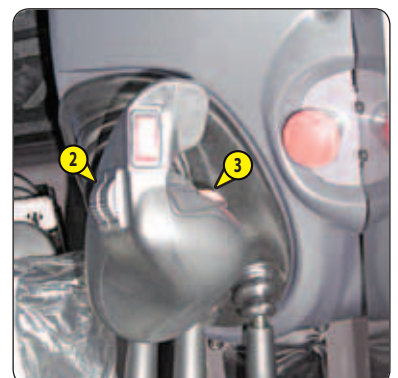
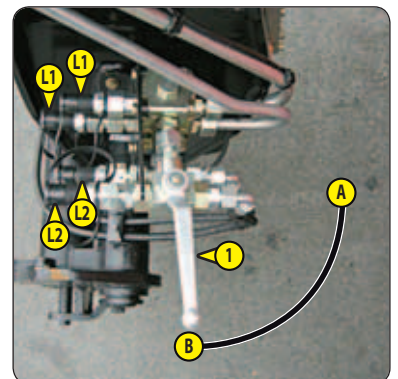
- Set valve 1 to position A.
- Push button 2 forward or backward.

ATTACHMENT LINE L2 CONTROL

- Set valve 1 to position A.
- Hold down button 3 and push button 2 forwards or backwards.

ATTACHMENT LOCKING CONTROL

- Set valve 1 to position B.
- Hold down button 3 and push button 2 forward to lock the attachment and backward to release it.



11 - SINGLE SIDE-SHIFT CARRIAGE (TSDL)

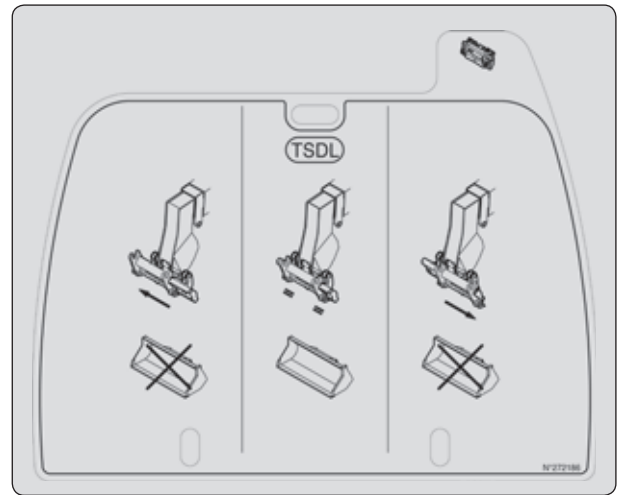
⚠ IMPORTANT ⚠

The single side-shift carriage (TSDL) is only compatible with the following attachments:

- floating fork carriage (TFF)
- tilting fork carriage (PFB)
- loading bucket (CBR)
- concrete bucket (BB, BBG)
- chute bucket (GL)
- jib crane and jib crane with winch (P, PT, PO, PC)
- winch (H)
- fixed platform, swivelling platform, roofer's platform.

The use of any other attachment on the TSDL is forbidden.

If it is being used with a loading bucket (CBR), the single side-shift carriage **MUST** be centred and no side-shift operations performed.



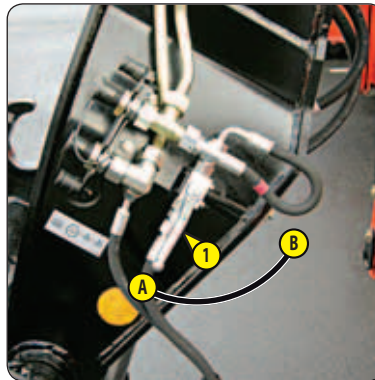
WITH TELESCOPE HEAD COUPLER

ATTACHMENT LINE CONTROL

- Set valve 1 to position A.
- Push button 2 forward or backward.

TSDL CONTROL

- Set valve 1 to position B.
- Push button 2 forward to move sideways to the right, and backward to move sideways to the left.



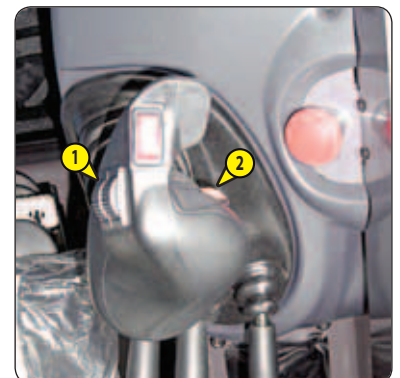
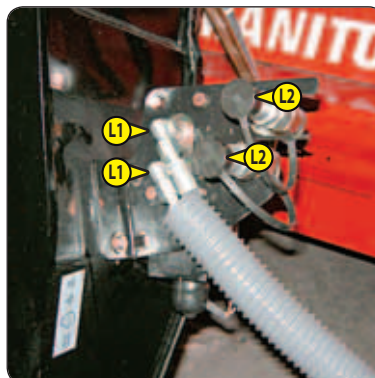
WITH TELESCOPE HEAD ELECTROVALVE

TSDL LINE L1 CONTROL

- Push button 2 forward to move sideways to the right, and backward to move sideways to the left.

ATTACHMENT LINE L2 CONTROL

- Hold down button 3 and push button 2 forwards or backwards.



WITH TELESCOPE HEAD ELECTROVALVE + HYDRAULIC ATTACHMENT LOCKING

⚠ IMPORTANT ⚠

Once the attachment is locked, return valve 1 to position A to prevent accidental release of the attachment.

TSDL LINE L1 CONTROL

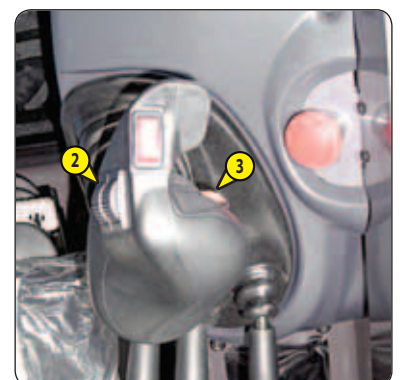
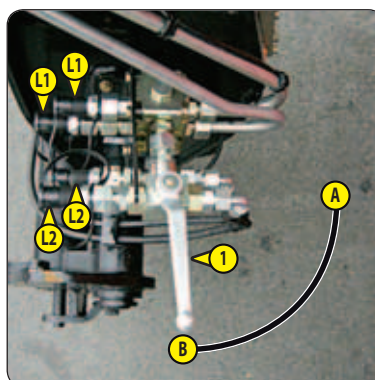
- Push button 2 forward to move sideways to the right, and backward to move sideways to the left.

ATTACHMENT LINE L2 CONTROL

- Set valve 1 to position A.
- Hold down button 3 and push button 2 forwards or backwards.

ATTACHMENT LOCKING CONTROL

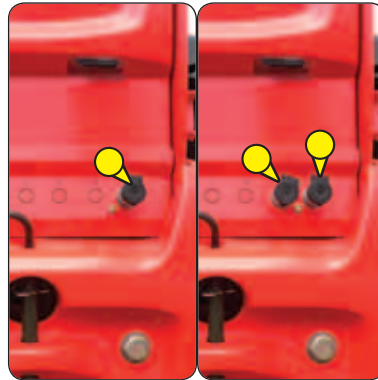
- Set valve 1 to position B.
- Hold down button 3 and push button 2 forward to lock the attachment and backward to release it.



12 - SINGLE OR DUAL EFFECT REAR HYDRAULIC CONTROL PREDISPOSITION

Enables the use of a hydraulic attachment at the rear of the lift truck (e.g. a trailer with hydraulic tipping).

- Press down on switch 1 (indicator lamp lit) to power the hydraulic control at the rear of the lift truck.
- Push button 2 forward or backward.



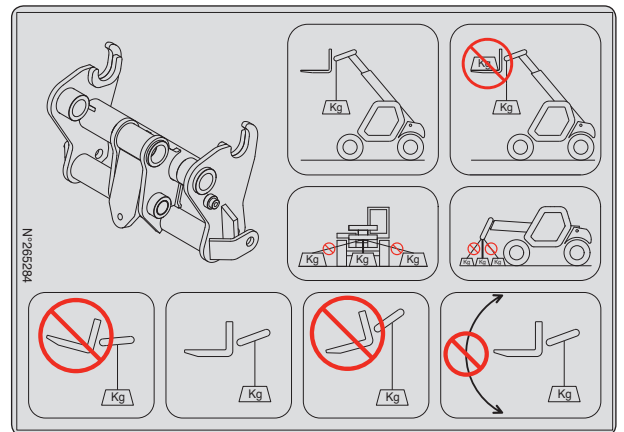
13 - LIFTING RING ON SINGLE CARRIAGE

CONDITIONS OF USE

⚠ IMPORTANT ⚠

Follow the instructions given in your lift truck's instruction manual (see: 1 - OPERATING AND SAFETY INSTRUCTIONS ON HANDLING LOADS), in addition to those given below.

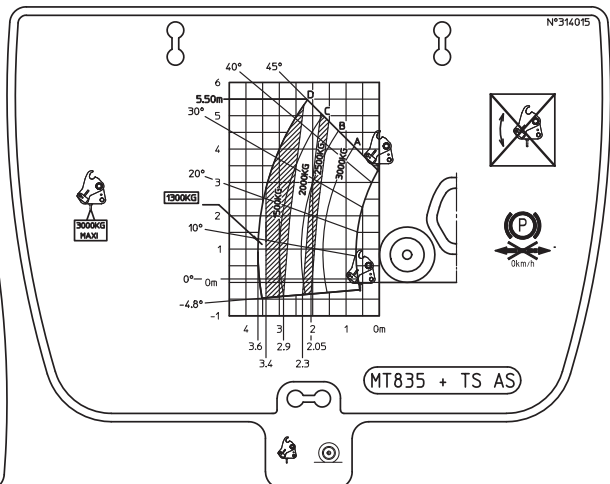
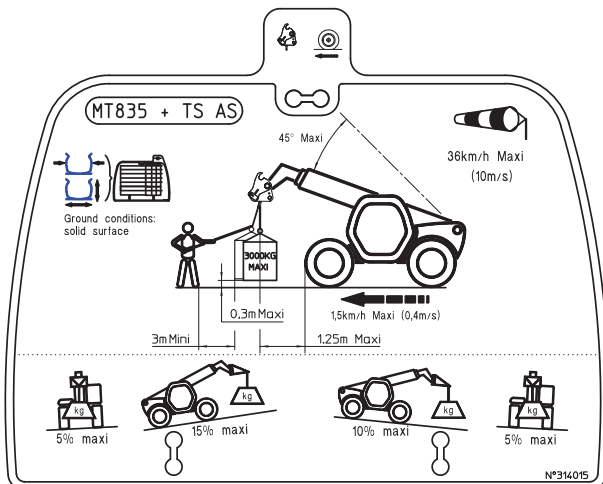
- The lifting ring must be used WITHOUT FORKS AND ATTACHMENTS, but the angle of inclination of the carriage must be the same as when the forks are used in the horizontal position.
- Check the maximum authorized angle, which is 45°, on the screen.
- Do not change the angle of the carriage while using the lifting ring.
- The lifting hook, the chains and slings shall have a minimum capacity of 3000 kg with a factor of safety against breakage of 4.

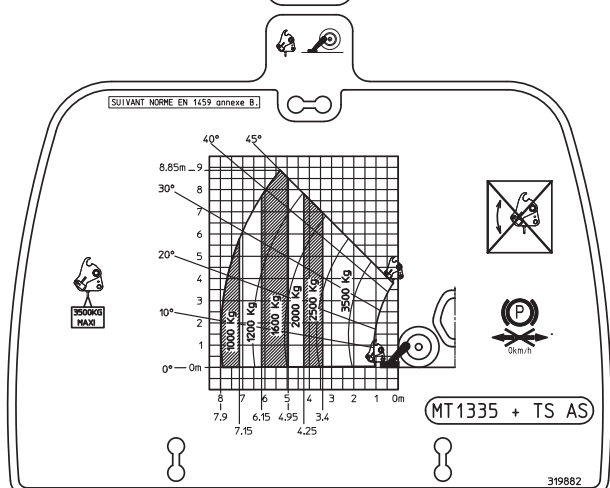
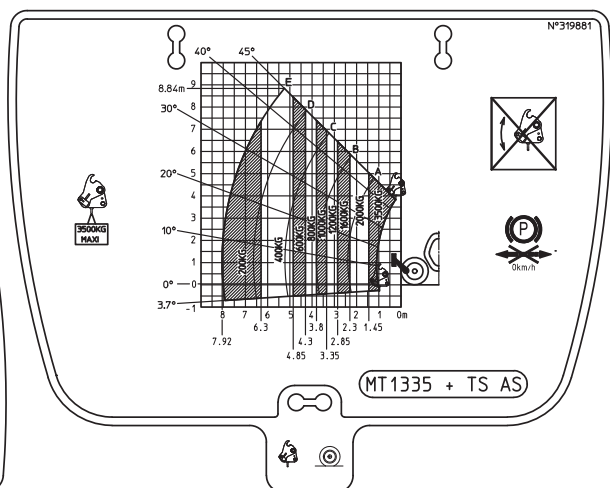
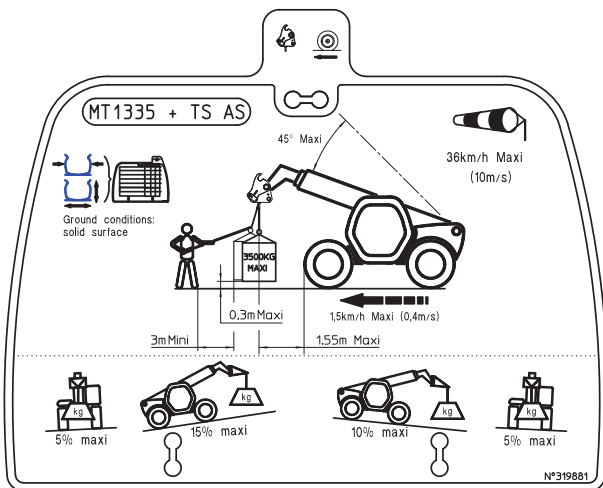
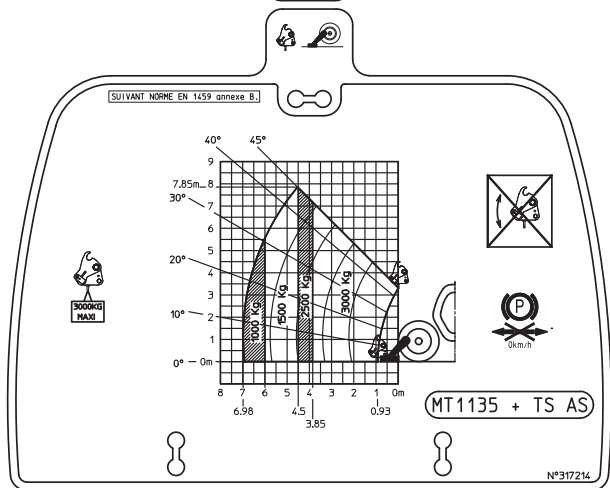
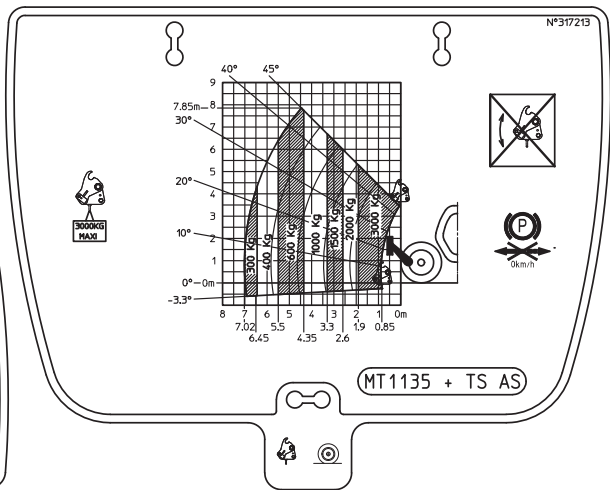
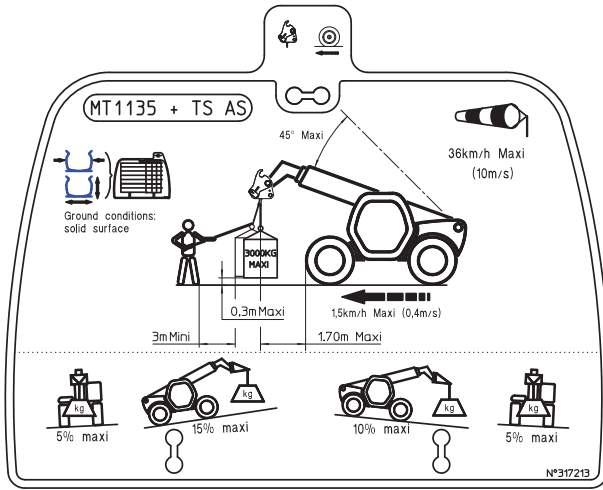


LOAD CHARTS AND FUNCTION SHEETS

⚠ IMPORTANT ⚠

The load charts are given for use without forks and without attachments.





3 - MAINTENANCE

TABLE OF CONTENTS

3 - MAINTENANCE

<i>ORIGINAL MANITOU SPARE PARTS AND EQUIPMENT</i>	4
<i>FILTERS CARTRIDGES AND BELTS</i>	6
<i>LUBRICANTS AND FUEL</i>	8
<i>SERVICING SCHEDULE</i>	10
<i>A - DAILY OR EVERY 10 HOURS SERVICE</i>	12
<i>B - EVERY 50 HOURS SERVICE</i>	16
<i>C - EVERY 250 HOURS OF SERVICE</i>	22
<i>D - EVERY 500 HOURS OF SERVICE OR EVERY YEAR</i>	24
<i>E - EVERY 1000 HOURS OF SERVICE OR EVERY TWO YEARS</i>	28
<i>F - EVERY 2000 HOURS OF SERVICE OR EVERY TWO YEARS</i>	34
<i>G - EVERY 3000 HOURS OF SERVICE</i>	36
<i>H - OCCASIONAL MAINTENANCE</i>	38

ORIGINAL MANITOU SPARE PARTS AND EQUIPMENT

OUR LIFT TRUCKS MUST BE SERVICED USING ORIGINAL MANITOU PARTS.

BY ALLOWING THE USE OF NON ORIGINAL MANITOU PARTS, YOU RISK:

- Legally -to be held responsible in the event of an accident.
- Technically - to cause operating malfunctions or shorten the life of the lift truck.

⚠ IMPORTANT ⚠

**THE USE OF COUNTERFEIT PARTS OR COMPONENTS NOT APPROVED BY THE MANUFACTURER,
WILL CAUSE YOU TO LOSE THE BENEFIT OF THE CONTRACTUAL GUARANTEE.**

BY USING ORIGINAL MANITOU PARTS FOR MAINTENANCE OPERATIONS, YOU BENEFIT FROM OUR KNOW-HOW

Through its network, MANITOU provides the user with,

- Know-how and competence.
- The guarantee of high-quality work.
- Original replacement parts.
- Help with preventive maintenance.
- Efficient help with diagnosis.
- Improvements due to experience feedback.
- Operator training.
- Only the MANITOU network has detailed knowledge of the design of the lift truck and therefore the best technical ability to provide maintenance.

⚠ IMPORTANT ⚠

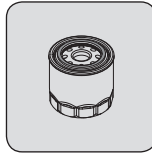
ORIGINAL REPLACEMENT PARTS ARE DISTRIBUTED EXCLUSIVELY BY MANITOU AND ITS DEALER NETWORK.

The dealer network list is available on the MANITOU web site www.manitou.com

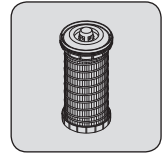
FILTERS CARTRIDGES AND BELTS

ENGINE

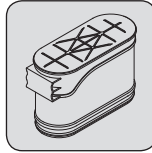
ENGINE OIL FILTER
Part number: 296855
Change: 500 H



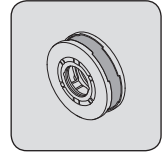
FUEL FILTER CARTRIDGE
Part number: 296854
Change: 500 H



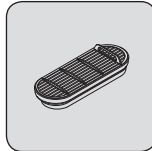
DRY AIR FILTER CARTRIDGE
Part number: 299936
Change: 1000 H



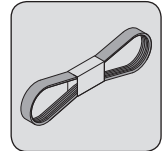
ENGINE CRANKCASE VENTILATION FILTER
Part number: 797650
Change: 1000 H



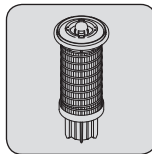
SAFETY DRY AIR FILTER CARTRIDGE
Part number: 299937
Change: 3000 H



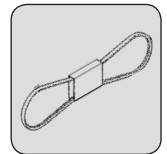
ALTERNATOR BELT
Part number: 797318
Change: 3000 H



FUEL PRE-FILTER CARTRIDGE
Part number: 797755
Change: 500 H

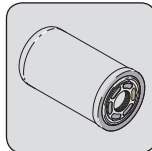


COMPRESSOR BELT
(OPTION AIR CONDITIONING)
Part number: 216125



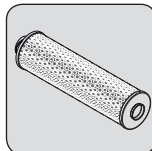
TRANSMISSION

GEAR BOX OIL FILTER
Part number: 745878
Change: 1000 H

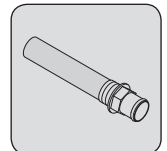


HYDRAULIC

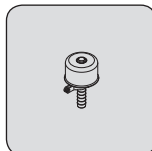
HYDRAULIC RETURN OIL FILTER CARTRIDGE
Part number: 282526
Change: 1000 H



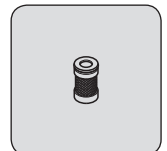
SUCTION STRAINER FOR HYDRAULIC OIL TANK
Part number: 259500
Clean: 1000 H



BREATHER FOR THE HYDRAULIC OIL TANK
Part number: 278288
Change: 1000 H

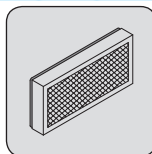


BRAKE ACCUMULATOR UNIT FILTER
Part number: 746308
Change: 1000 H



CAB

EXTERNAL CAB VENTILATION FILTER
Part number: 261971
Clean: 50 H
Change: 250 H



INTERNAL CAB VENTILATION FILTER
Part number: 746106
Clean: 50 H
Change: 250 H



LUBRICANTS AND FUEL

⚠ IMPORTANT ⚠

USE THE RECOMMENDED LUBRICANTS AND FUEL:

- For topping up, oils may not be miscible.

- For oil changes, MANITOU oils are perfectly appropriate.

DIAGNOSTIC ANALYSIS OF OILS

If a service or maintenance contract has been organized with the dealer, a diagnostic analysis of engine, transmission and axle oils may be requested depending on the rate of use.

(*) RECOMMENDED FUEL SPECIFICATION:

Use a high-quality fuel to obtain optimal performance of the engine.

- Type of diesel fuel EN590
- Type of diesel fuel ASTM D975

ENGINE				
ORGANS TO BE LUBRICATED	CAPACITY	RECOMMENDATION	PACKAGING	PART NUMBER
ENGINE	7,5 Litres	MANITOU Oil	20l	786745
		GOLD "API CJ-4 ; ACEA E9"	209l	787729
COOLING CIRCUIT	17 Litres	Cooling liquid (protection - 35°)	4l	894967
			20l	894968
			210l	894969
FUEL TANK	120 Litres	Diesel fuel (*)		

TRANSMISSION				
ORGANS TO BE LUBRICATED	CAPACITY	RECOMMENDATION	PACKAGING	PART NUMBER
GEAR BOX	21,1 Litres	MANITOU Oil Automatic transmission	1l	62148
			20l	546332
			55l	546217
			209l	546195
			1000l	720148

BOOM				
ORGANS TO BE LUBRICATED	CAPACITY	RECOMMENDATION	PACKAGING	PART NUMBER
BOOM PADS		MANITOU Grease BLACK multi-purpose	400G	545996
			1Kg	161590
			5kg	499235
GREASING OF THE BOOM		MANITOU Grease BLUE multi-purpose	400G	161589
			1Kg	720683
			5kg	554974
			20kg	499233
			50kg	489670

HYDRAULIC				
ORGANS TO BE LUBRICATED	CAPACITY	RECOMMENDATION	PACKAGING	PART NUMBER
HYDRAULIC OIL TANK	175 Litres	MANITOU Oil Hydraulic ISO VG 46	5l	545500
			20l	582297
			55l	546108
			209l	546109

BRAKE				
ORGANS TO BE LUBRICATED	CAPACITY	RECOMMENDATION	PACKAGING	PART NUMBER
BRAKE CIRCUIT	0,75 Litre	MANITOU Oil Mineral brake fluid	1l	490408

CAB				
ORGANS TO BE LUBRICATED	CAPACITY	RECOMMENDATION	PACKAGING	PART NUMBER
WINDSCREEN WASHER TANK		Windscreen washer liquid	1l	490402
			5l	486424

FRONT AXLE				
ORGANS TO BE LUBRICATED	CAPACITY	RECOMMENDATION	PACKAGING	PART NUMBER
FRONT AXLE DIFFERENTIAL	7,2 Litres	MANITOU Oil Special immersed brakes	5l	545976
			20l	582391
			209l	546222
			1 000l	720149
FRONT WHEELS REDUCTION GEARS	0,75 Litter	MANITOU Oil SAE80W90 Mechanical transmission	2l	499237
			5l	720184
			20l	546330
			55l	546221
FRONT WHEELS REDUCTION GEAR PIVOTS FRONT AXLE OSCILLATION		MANITOU Grease BLUE multi-purpose	209l	546220
			400 g	161589
			1 kg	720683
			5 kg	554974
			20 kg	499233
			50 kg	489670

REAR AXLE				
ORGANS TO BE LUBRICATED	CAPACITY	RECOMMENDATION	PACKAGING	PART NUMBER
REAR AXLE DIFFERENTIAL	7,2 Litres	MANITOU Oil Special immersed brakes	5l	545976
			20l	582391
			209l	546222
			1 000l	720149
REAR WHEEL REDUCTION GEAR	0,75 Litter	MANITOU Oil SAE80W90 Mechanical transmission	2l	499237
			5l	720184
			20l	546330
			55l	546221
REAR WHEEL REDUCTION GEAR PIVOTS REAR AXLE OSCILLATION		MANITOU Grease BLUE multi-purpose	209l	546220
			400 g	161589
			1 kg	720683
			5 kg	554974
			20 kg	499233
			50 kg	489670

CHASSIS				
ORGANS TO BE LUBRICATED	RECOMMENDATION	PACKAGING	PART NUMBER	
MT 1135 ST3B / MT 1335 ST3B ROLL CORRECTOR MT 1135 ST3B / MT 1335 ST3B STABILIZERS	MANITOU Grease BLUE multi-purpose	400 g	161589	
		1 kg	720683	
		5 kg	554974	
		20 kg	499233	
		50 kg	489670	

ATTACHMENT				
ORGANS TO BE LUBRICATED	RECOMMENDATION	PACKAGING	PART NUMBER	
SINGLE SIDE-SHIFT CARRIAGE (TSDL) (OPTION)	MANITOU Grease BLUE multi-purpose	400 g	161589	
		1 kg	720683	
		5 kg	554974	
		20 kg	499233	
		50 kg	489670	

SERVICING SCHEDULE



(1): MANDATORY 500 HOUR OR 6 MONTH SERVICE. This service must be carried out after approximately the first 500 hours of operation or within the 6 months following the start-up of the machine (whichever occurs first).

(2): Every 10 hours during the first 50 hours then a final time at 250 hours.

(3): Contact your dealer.

A = ADJUST, C = CHECK, G = GREASE, N = CLEAN, P = BLEED, R = REPLACE, V = DRAIN	PAGE	(1)	DAILY OR EVERY 10 HOURS OF SERVICE	EVERY 50 HOURS OF SERVICE	EVERY 250 HOURS OF SERVICE	EVERY 500 HOURS OF SERVICE OR EVERY YEAR	EVERY 1000 HOURS OF SERVICE OR EVERY TWO YEARS	EVERY 2000 HOURS OF SERVICE OR EVERY TWO YEARS	EVERY 3000 HOURS OF SERVICE	EVERY 4000 HOURS OF SERVICE	OCCASIONALLY
ENGINE											
- Engine oil level	3-12		C								
- Cooling liquid level	3-12	C	C								
- Fuel level	3-12	C	C								
- Fuel pre-filter	3-13		C								
- Radiator core	3-16	N		N							
- Compressor belt tension (Air conditioning OPTION)	3-22	C/A			C/A						
- Engine oil	3-24	V				V					
- Engine oil filter	3-24	R				R					
- Fuel pre-filter cartridge	3-25	R				R					
- Fuel filter cartridge	3-25	R				R					
- Dry air filter cartridge	3-28						R				
- Engine crankcase ventilation filter	3-28						R				
- Fuel tank	3-29						N				
- Engine silent blocks							C (3)				
- Engine rates							C (3)				
- Valves clearances		C					C (3)				
- Cooling liquid	3-34							V			
- Radiator								C (3)			
- Water pump and the thermostat								C (3)			
- Alternator and the starter motor								C (3)			
- Turbocompressor								C (3)			
- Safety dry air filter cartridge	3-36								R		
- Alternator belt	3-36								R		
- Fuel circuit	3-38										P
- "Stationary lift truck" exhaust particle filter	3-38/39										XXX
TRANSMISSION											
- Gear box oil level	3-16			C							
- Gear box oil	3-29	V					V				
- Gear box oil filter	3-29	R					R				
- Silentblocks in the gear box							C (3)				
- Gear box controls							C (3)				
- Transmission pressures								C (3)			
- Wear of the brake pads and the brake disk										C (3)	
TYRES											
- Tyre pressures	3-17	C		C							
- Wheel nut torques	3-17	C		C							
- Wheel nut tightening torque	3-35	C						C			
- Wheel	3-39										R
BOOM											
- Boom pads	3-13		G (2)								
- Boom	3-18/19	G		G							
- Boom pad wear							C (3)				
- Condition of boom unit		C						C (3)			
- Bearings and articulation rings								C (3)			
HYDRAULICS											
- Hydraulic oil level	3-20	C		C							
- Hydraulic oil	3-30/31						V				
- Hydraulic return oil filter cartridge	3-30/31						V				
- Breather for the hydraulic oil tank	3-30/31						R				
- Suction strainer for hydraulic oil tank	3-30/31						N				
- Brake accumulator unit filter	3-30/31						R				
- Hydraulic pump tubular filter							N (3)				
- Condition of hoses and flexible pipes							C (3)				
- Condition of cylinders (leakage, shafts)							C (3)				
- Hydraulic circuit pressures								C (3)			
- Hydraulic oil tank								N (3)			

A = ADJUST, C = CHECK, G = GREASE, N = CLEAN, P = BLEED, R = REPLACE, V = DRAIN		PAGE	(1)	DAILY OR EVERY 10 HOURS OF SERVICE	EVERY 50 HOURS OF SERVICE	EVERY 250 HOURS OF SERVICE	EVERY 500 HOURS OF SERVICE OR EVERY YEAR	EVERY 1000 HOURS OF SERVICE OR EVERY TWO YEARS	EVERY 2000 HOURS OF SERVICE OR EVERY TWO YEARS	EVERY 3000 HOURS OF SERVICE	EVERY 4000 HOURS OF SERVICE	OCCASIONALLY
BRAKE												
- Brake oil level	3-20	C			C							
- Brake oil								V (3)				
- Brake system								P (3)				
- Brake system pressure								C (3)				
- Brake								A (3)				
STEERING												
- Steering									C (3)			
- Steering swivel joints											C (3)	
CAB												
- Windscreen washer liquid level	3-21	C			C							
- Cab ventilation filters	3-21/22	R			N	R						
- Condenser core (Air conditioning OPTION)	3-21	C/N			C/N							
- Seat belt	3-32							C				
- Condition of the rear view mirrors								C (3)				
- Structure								C (3)				
- Air conditioning (OPTION)	3-35								N/C			
ELECTRICITY												
- Longitudinal stability limiter and warning device	3-14/40	C		C								XXX
- Condition of wiring harness and cables								C (3)				
- Lights and signals								C (3)				
- Warning indicators								C (3)				
- Front headlights	3-41											A
- Battery failure	3-41											R
FRONT AXLE												
- Front wheel reduction gear pivots	3-18/19	G			G							G/C (3)
- Front axle oscillation MT 1135 ST3B / MT 1335 ST3B	3-18/19	G			G				G/C (3)			
- Front axle differential oil level	3-23					C						
- Front wheels reduction gear oil level	3-23					C						
- Front axle differential oil	3-26	V					V					
- Front wheel reduction gear oil	3-32	V						V				
- Wear of front axle brake discs												C (3)
- Front wheel reduction gear universal joint												C (3)
- Front wheel reduction gear clearance												C (3)
REAR AXLE												
- Rear wheel reduction gear pivots	3-18/19	G			G							G/C (3)
- Rear axle oscillation	3-18/19	G			G				G/C (3)			
- Rear axle differential oil level	3-23					C						
- Rear wheel reduction gear oil level	3-23					C						
- Rear axle differential oil	3-26	V					V					
- Rear wheel reduction gear oil	3-32	V						V				
- Wearing of rear axle brake discs												C (3)
- Rear wheel reduction gear universal joint												C (3)
- Rear wheels reduction gear clearance												C (3)
CHASSIS												
- Tilting corrector MT 1135 ST3B / MT 1335 ST3B	3-18/19	G			G							
- Stabilisers MT 1135 ST3B / MT 1335 ST3B	3-18/19	G			G							
- Structure								C (3)				
- Bearings and articulation rings									C (3)			
ATTACHMENTS												
- Single side-shift carriage (TSDL) (OPTION)	3-18/19	G			G							
- Forks wear		C						C (3)				
- Attachment carriage									C (3)			
- Condition of attachments									C (3)			
LIFT TRUCK												
- Tow the lift truck	3-42											XXX
- Sling the lift truck	3-42											XXX
- Transport the lift truck on a platform	3-43											XXX

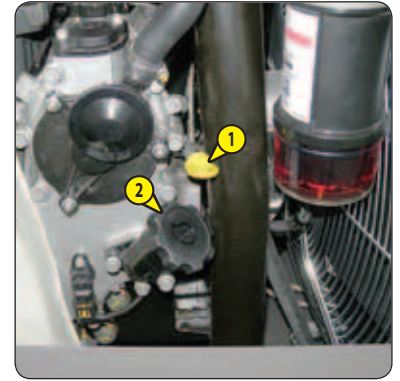
A - DAILY OR EVERY 10 HOURS SERVICE

A1 - ENGINE OIL LEVEL

CHECK

Place the lift truck on level ground with the engine stopped, and let the oil drain into the sump.

- Open the engine bonnet.
- Pull out dipstick 1.
- Clean the dipstick and check the correct level between the two notches.
- If necessary, add oil (see: 3 - MAINTENANCE: LUBRICANTS AND FUEL) through the filler port 2.
- Visually check that there is no leakage or seepage of oil in the engine.



A2 - COOLING LIQUID LEVEL

CHECK

Place the lift truck on level ground with the engine stopped, and allow the engine to cool.

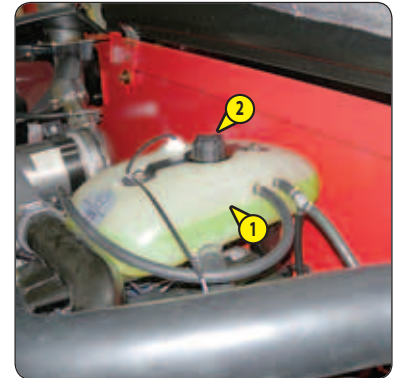
⚠ IMPORTANT ⚠

To avoid any risk of spraying or scalding, wait until the engine has cooled down before removing the cooling system filler plug.

If the cooling fluid is very hot, add only hot cooling fluid (80 °C).

In an emergency, you can use water as a coolant. In such a case, the cooling system fluid should be changed soon as possible (see 3 - MAINTENANCE: F1 - COOLING LIQUID).

- Open the engine bonnet.
- The liquid must be at the MAXIMUM level on the expansion tank 1.
- If necessary, add cooling liquid (see: 3 - MAINTENANCE: LUBRICANTS AND FUEL) through the filler port 2.
- Visually check that there is no leakage in the radiator and pipes.



A3 - FUEL LEVEL

CHECK

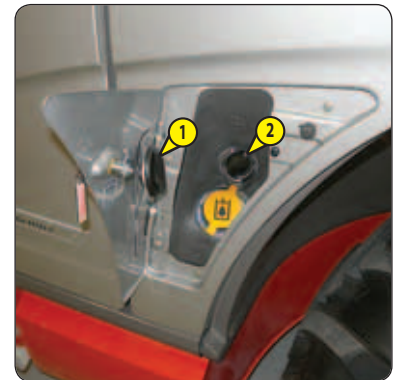
Keep the fuel tank full, to reduce as much as possible any condensation due to the atmospheric conditions.

⚠ IMPORTANT ⚠

Never smoke or approach with a flame during filling operations or when the tank is open.

Never refill while engine is running.

- Check the fuel gauge on the instrument panel.
- If necessary, add diesel fuel (see: 3 - MAINTENANCE: LUBRICANTS AND FUEL).
- Open the fuel filler access panel with the ignition key.
- Remove cap 1.
- Fill the fuel tank with clean diesel filtered through the filler port 2.
- Refit the cap.
- Visually check that there is no leakage in the tank and pipes.



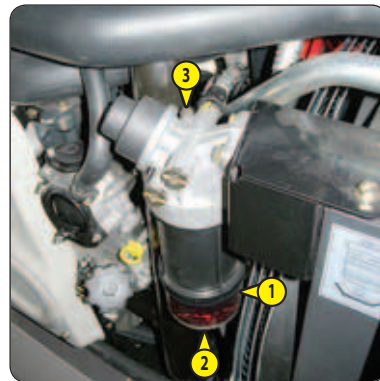
A4 – FUEL PRE-FILTER

CHECK

⚠ IMPORTANT ⚠

Carefully clean the outside of the pre-filter and its holder, to prevent dust from getting into the system.

- Open the engine bonnet.
- Check for the presence of water in pre-filter tank 1 and drain if necessary.
- Place a receptacle under the drain plug 2 and loosen by two to three turns.
- Open bleed screw 3.
- Allow the diesel fuel to flow out until it is free from impurities and water.
- Retighten drain plug 2 and bleed screw 3.



A5 – BOOM PADS

CLEAN - GREASE

To be carried out every 10 hours during the first 50 hours service, then once at 250 hours.

⚠ IMPORTANT ⚠

If the lift truck is used in an abrasive environment (dust, sand, coal, etc.) use lubricating varnish (MANITOU reference: 483536).

Consult your dealer for this varnish.


- Fully extend the boom.
- Apply the grease with a brush (see: 3 - MAINTENANCE: LUBRICANTS AND FUEL) to the 4 sides of the telescope(s).
- Telescope the boom several times in order to spread the coat of grease evenly.
- Remove the surplus of grease.

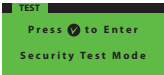


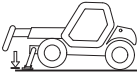






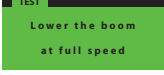
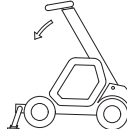


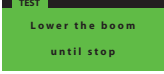
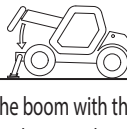





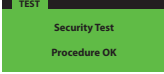


⚠ IMPORTANT ⚠

In case of doubt during the test procedure, exit by briefly pressing the cancel button .

The appearance of the  screen indicates a failure to obey an instruction, a cancellation request  or a late response. If in doubt, consult your dealer.

- These tests are essential for checking the correct operation and adjustment of the different components of the device.
- Place the lift truck on flat, level ground with the wheels straight.
- Hold down the test button .

<p>STAGE 1 ↓</p>		<p>Start of procedure. Validate </p>	<p>→ Go to stage 2.</p>
<p>STAGE 2 ↓</p>		<p> Place the lift truck with no attachments, set down the left and right stabilisers, if provided, with the front wheels off the ground. Validate </p>	<p>→ Go to stage 3.</p>
<p>STAGE 3 ↓</p>		<p> Raise the boom and retract the telescopes completely. Validate </p>	<p>→ TEST OK Go to stage 4. → TEST NON OK Validate  or cancel . Consult your dealer.</p>
<p>STAGE 4 ↓</p>		<p> Lower the boom with the engine running at full revs and the hydraulic control at the maximum setting. Lowering slows until movement is cut-off.</p>	<p>→ TEST OK Go to stage 5. → TEST NON OK Validate  or cancel . Consult your dealer.</p>
<p>STAGE 5 ↓</p>		<p> Continue to lower the boom with the engine running at full revs and the hydraulic control at the maximum setting. Lowering slows until movement is next cut-off.</p>	<p>→ TEST OK Go to stage 6. → TEST NON OK Validate  or cancel . Consult your dealer.</p>
<p>STAGE 6 ↓</p>		<p>Try in the following order a reverse tilt, a forward tilt and a telescope extension. None of these 3 movements should be possible.</p>	<p>→ TEST OK Validate . → TEST NON OK Cancel . Consult your dealer.</p>
<p>STAGE 7</p>		<p>End of procedure.</p>	

B - EVERY 50 HOURS SERVICE

Carry out the operations described previously as well as the following operations.

B1 – RADIATOR CORE

CLEAN

⚠ IMPORTANT ⚠

In a polluting atmosphere, clean the radiator core every day.

Do not use a water jet or high-pressure steam as this could damage the radiator fins.

- Open the engine bonnet.
- If necessary, clean the suction grid on the engine hood.
- Using a soft cloth, clean the radiator in order to remove as much dirt as possible.
- Clean the radiator using a compressed air jet directed from the engine towards the radiator in the opposite direction to the cooling air flow.



B2 – GEAR BOX OIL LEVEL

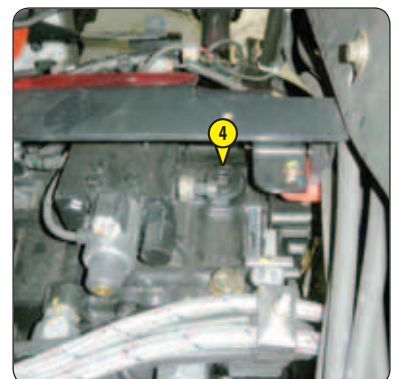
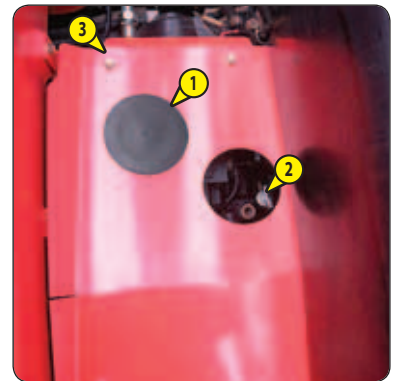
CHECK

Place the lift truck on level ground with the boom raised and the engine running.

⚠ IMPORTANT ⚠

*Raise the boom and place the boom safety wedge on the rod of the lifting cylinder
(see: 1 - OPERATING AND SAFETY INSTRUCTIONS: LIFT TRUCK MAINTENANCE INSTRUCTIONS).*

- Remove the plastic cap 1.
- Remove dipstick 2 by unscrewing it.
- Wipe the dipstick and check the correct level against the MAX mark.
- If necessary, add oil (see: 3 - MAINTENANCE: LUBRICANTS AND FUEL).
- Lift out protective casing 3.
- Add oil via filler port 4.
- Screw the dipstick back in whilst pressing it down so as to ensure it is securely held and leak-tight.
- Visually check that there is no leakage or seepage of oil in the transmission.



⚠ IMPORTANT ⚠

Check that the air hose is correctly connected to the tyre valve before inflating and keep all persons at a distance during inflation. Respect the recommended tyre pressures given.

- Check the condition of the tyres, to detect cuts, protuberances, wear, etc.
- Check the torque load of the wheel nuts. Non-compliance with this instruction can cause damage and rupture to the wheel bolts and distortion to the wheels.
- Check and restore tyre pressures if necessary (see: 2 - DESCRIPTION: TYRES).

NOTE: There is an OPTIONAL wheel toolkit.

To be carried out weekly, if the lift truck has been operated for less than 50 hours during the week.



In the event of prolonged use in an extremely dusty or oxidising atmosphere, reduce this interval to 10 working hours or every day.

Clean and lubricate the following points with grease (see: 3 - MAINTENANCE: LUBRICANTS AND FUEL) and remove the surplus of grease.

BOOM

- 1 - Lubricators of the boom axle (2 lubricators).
- 2 - Lubricators of the carriage axle (2 lubricators).
- 3 - Lubricator of the tilt cylinder foot axle (1 lubricator).
- 4 - Lubricator of the tilt cylinder head axle (1 lubricator).
- 5 - Lubricator of the lifting cylinder foot axle (1 lubricator).
- 6 - Lubricator of the lifting cylinder head axle (1 lubricator).
- 7 - Lubricator of the compensation cylinder foot axle (1 lubricator).
- 8 - Lubricator of the compensation cylinder head axle (1 lubricator).

FRONT AND REAR WHEEL REDUCTION GEAR PIVOTS

- 9 - Lubricators of the wheel reduction gear pivot pins (8 lubricators).

AXLE OSCILLATION

- 10 - Front axle oscillation lubricators (2 lubricators). MT 1135 ST3B / MT 1335 ST3B
- 11 - Rear axle oscillation lubricators (2 lubricators).

ROLL CORRECTOR

MT 1135 ST3B / MT 1335 ST3B

- 12 - Lubricator of the roll corrector cylinder foot axle (2 lubricators).
- 13 - Lubricator of the roll corrector cylinder head axle (1 lubricator).

STABILIZERS

MT 1135 ST3B / MT 1335 ST3B

- 14 - Lubricators of the stabiliser cylinders' foot axle (2 lubricators).
- 15 - Lubricators of the stabiliser cylinders' head axle (2 lubricators).
- 16 - Lubricators of the stabiliser axles (4 lubricators).

SINGLE SIDE-SHIFT CARRIAGE (TSDL) (OPTION)

- 17 - Wear plate lubricators (8 lubricators).



B5 - HYDRAULIC OIL LEVEL

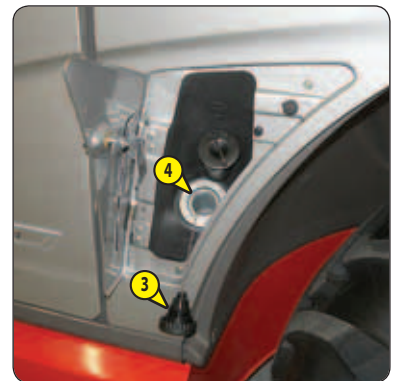
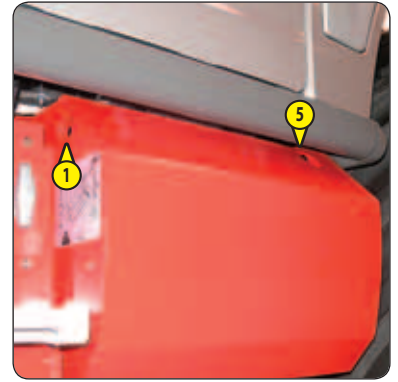
CHECK

Place the lift truck on level ground with the I.C. engine stopped, and the jib retracted and lowered as far as possible.

⚠ IMPORTANT ⚠

Use a clean funnel and clean the underside of the oil drum before filling.

- Check the level on the low level gauge 1. The level is correct when it is situated above the level of the red point.
- If necessary, add oil (see: 3 - MAINTENANCE: LUBRICANTS AND FUEL).
- Open the hydraulic oil filler access panel with the ignition key.
- Remove the filler cap lock 2.
- Remove cap 3.
- Add oil through filler port 4 up to the black dot on the high level gauge 5.
- Refit the cap and its lock.
- Visually check that there is no leakage in the tank and pipes.



B6 - BRAKE OIL LEVEL

CHECK

Place the lift truck on level ground.

⚠ IMPORTANT ⚠

If the braking oil level is abnormally low, consult your dealer.

- Open the protective casing 1 with the ignition key.
- Check tank 2. The level is correct when it is situated at the MAX level on the tank.
- If necessary, add oil (see: 3 - MAINTENANCE: LUBRICANTS AND FUEL).
- Remove cap 3.
- Add oil through filler port 4.
- Refit the cap.
- Visually check that there is no leakage in the tank and pipes.



B7 – WINDSCREEN WASHER LIQUID LEVEL

CHECK

- Visually check the level in tank 1.
- If necessary add windscreen washer liquid (see: 3 - MAINTENANCE: LUBRICANTS AND FUEL).
- Remove cap 2.
- Add windscreen washer liquid through filler port 3.
- Refit the cap.



B8 – CAB VENTILATION FILTERS

CLEAN

EXTERNAL CAB VENTILATION FILTER

- Lift out cab ventilation filter 1.
- Clean the filter with a compressed air jet.
- Check its condition and change if necessary (see: 3 - MAINTENANCE: FILTERS CARTRIDGES AND BELTS).
- Reinstall the filter.
- Refit the protective casing 2.



INTERNAL CAB VENTILATION FILTER

- Remove the protective grid 3.
- Lift out cab ventilation filter 4
- Clean the filter with a compressed air jet.
- Check its condition and change if necessary (see: 3 - MAINTENANCE: FILTERS CARTRIDGES AND BELTS).
- Reinstall the filter.
- Refit the protective grid 3.



B9 – CONDENSER CORE (OPTION AIR CONDITIONING)

CHECK - CLEAN

⚠ IMPORTANT ⚠

In a polluting atmosphere, clean the radiator core every day.

Do not use a water jet or high-pressure steam as this could damage the condenser fins.

- Visually check whether the condenser is clean and clean it if necessary.
- Clean the condenser using a compressed air jet aimed in the same direction as the air flow.
- Clean with the fans running for best results.



C - EVERY 250 HOURS OF SERVICE

Carry out the operations described previously as well as the following operations.

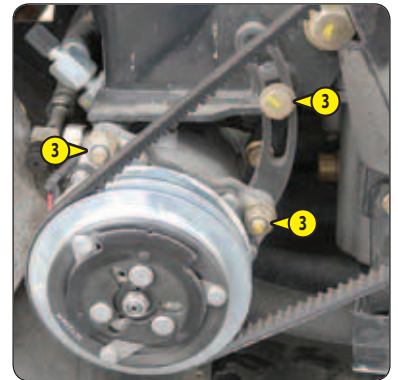
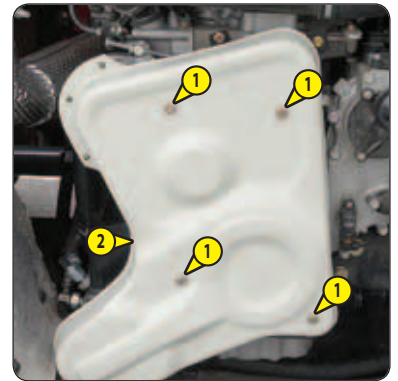
C1 - COMPRESSOR BELT TENSION (OPTION AIR CONDITIONING)

CHECK - ADJUST

⚠ IMPORTANT ⚠

If the compressor belt has to be changed, check the tension again after the first 20 hours of operation.

- Open engine bonnet and the lower cover.
- Unscrew the fastening screws 1.
- Remove the protective casing 2.
- Check the belt for signs of wear and cracks and change if necessary (see: 3 - MAINTENANCE: FILTERS CARTRIDGES AND BELTS).
- Check the belt tension between the pulleys of the crankshaft and of the compressor.
- Under a normal pressure exerted with the thumb (45 N), the belt should move approximately 10 mm.
- Adjust if necessary.
- Loosen the screws 3 by two to three turns.
- Swivel the compressor assembly so as to obtain the belt tension required.
- Retighten screws 3 (tightening torque 22 N.m).



C2 - CAB VENTILATION FILTERS

CHANGE

EXTERNAL CAB VENTILATION FILTER

- Remove protective casing 1 using the ignition key.
- Lift out cab ventilation filter 2 and replace it with a new one (see: 3 - MAINTENANCE: FILTERS, CARTRIDGES AND BELTS).
- Refit the protective casing.



INTERNAL CAB VENTILATION FILTER

- Remove the protective grid 3.
- Lift out cab ventilation filter 4 and replace it with a new one (see: 3 - MAINTENANCE: FILTERS, CARTRIDGES AND BELTS).
- Refit the protective grid.

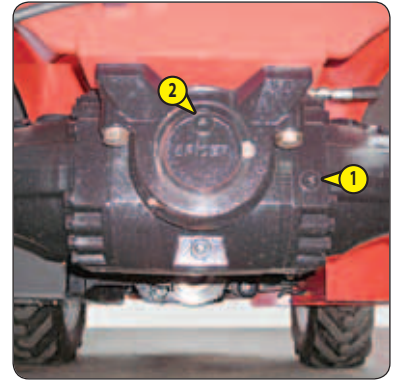


C3 – FRONT AND REAR AXLE DIFFERENTIAL OIL LEVEL

CHECK

Place the lift truck on level ground with the engine stopped.

- Remove the level plug 1; the oil should be flush with the edge of the hole.
- If necessary, add oil (see: 3 - MAINTENANCE: LUBRICANTS AND FUEL) through the filler port 2.
- Refit and tighten the level plug 1 (tightening torque 34 to 49 N.m).



C4 – FRONT AND REAR WHEEL REDUCTION GEAR OIL LEVEL

CHECK




Place the lift truck on level ground with the engine stopped.

- Check the level on each wheel reduction gear.
- Place level plug 1 in a horizontal position.
- Remove the level plug; the oil should be flush with the edge of the opening.
- If necessary, add oil (see: 3 - MAINTENANCE: LUBRICANTS AND FUEL) through the same opening.
- Refit and tighten the level plug (tightening torque 34 to 49 N.m).



D - EVERY 500 HOURS OF SERVICE OR EVERY YEAR

Carry out the operations described previously as well as the following operations.

A maintenance warning is displayed at 480 hours on the help screen  followed by a 20 hour countdown to reach the 500 hour maintenance deadline. After this period, the help screen is displayed , followed by the maintenance key . The maintenance then has to be performed.

NOTE: Once this maintenance has been conducted (D - EVERY 500 HOURS OF SERVICE), reset the maintenance counter to 500 hours from the "XPRT > RESET > MAINT" menu in the menu screen.

D1 - ENGINE OIL

DRAIN

D2 - ENGINE OIL FILTER

CHANGE

Place the lift truck on level ground, let the engine run at idle for a few minutes, then stop the engine.

⚠ IMPORTANT ⚠

USE THE RECOMMENDED LUBRICANTS: Oil MANITOU GOLD "API CJ-4 ; ACEA E9"
Dispose of the drain oil in an ecological manner.

DRAINING THE OIL


- Open engine bonnet and the lower cover.
- Remove access panel 1.
- Place a container under drain plug 2 and unscrew the plug.
- Take drain hose 3.
- Place the end of the drain hose in the container and screw the hose fully to the drain connector 2.
- Remove level and filling plug 4 to ensure that the oil is drained properly.


REPLACEMENT OF THE FILTER

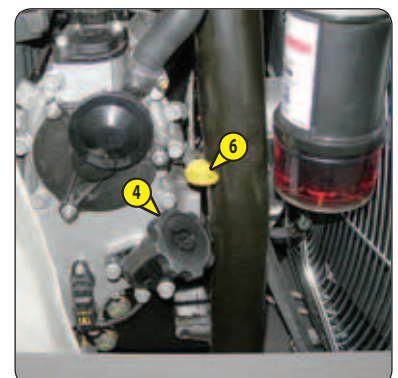
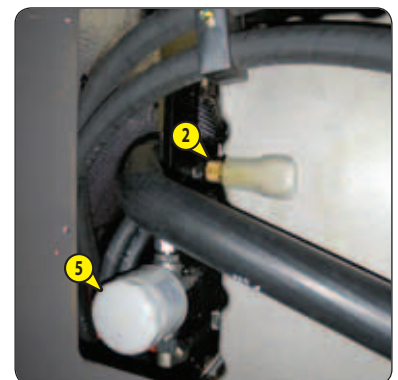
- Unscrew and discard the engine oil filter 5, together with its seal.
- Clean the filter bracket with a clean, lint-free cloth.
- Lightly grease the new seal before refitting the new oil filter (see: 3 - MAINTENANCE: FILTERS, CARTRIDGES AND BELTS) on its bracket.
- Tighten the oil filter (tightening torque 30 N.m).

FILLING UP THE OIL

- Remove, clean and refit drain hose 3.
- Replace and tighten the drain plug 2.
- Fill up with oil (see: 3 - MAINTENANCE: LUBRICANTS AND FUEL) through filler port 4.
- Wait a few minutes to allow the oil to flow into the sump.
- Start the engine and let it run for a few minutes.
- Check for possible leaks from the drain plug and the oil filter.
- Stop the engine, wait a few minutes and check the correct level between the two level marks on the dipstick 6.
- Top up the level if necessary.
- Refit access panel 1.

NOTE: If the help screen  is displayed before the 500 hour maintenance, replace the engine oil. This is due to a large number of automatic exhaust particle filter regenerations and "stationary lift truck" exhaust particle filter regenerations.

After replacing the oil, delete the help screen  from the "XPRT > RESET > OIL" menu in the menu screen.



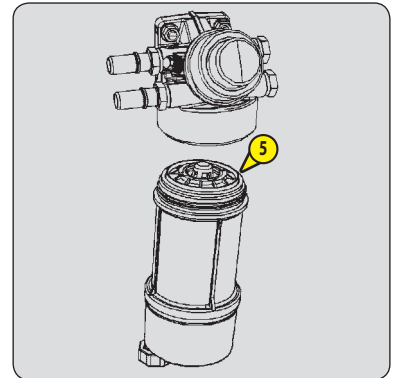
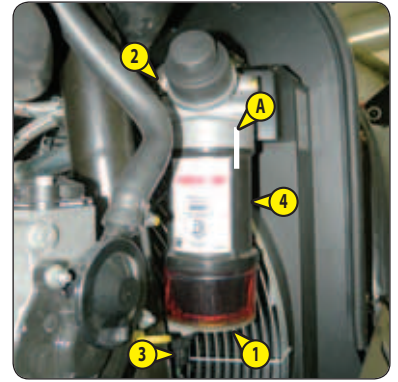
D3 – FUEL PRE-FILTER CARTRIDGE

CHANGE

⚠ IMPORTANT ⚠

Carefully clean the outside of the pre-filter and its holder, to prevent dust from getting into the system.

- Open the engine bonnet.
- Scribe a mark A between the head and the housing of the pre-filter.
- Place a receptacle under the drain plug 1 and loosen it by two to three turns.
- Open bleed screw 2 to ensure proper emptying.
- Retighten bleed screw 2 once the pre-filter is emptied.
- Disconnect electrical wiring harness 3 from the fuel pre-filter.
- Unscrew the body of the pre-filter 4.
- Remove cartridge 5 by unscrewing it and discard it together with its seal.
- Clean the inside of the pre-filter head and housing using a brush immersed in clean diesel oil.
- Refit the assembly with a new cartridge and a new seal lubricated with clean engine oil beforehand (see: 3 - MAINTENANCE: FILTERS CARTRIDGES AND BELTS).
- Correctly position the cartridge in the pre-filter housing and screw the assembly by hand only onto the head of the pre-filter until mark A is aligned.
- Replace the fuel filter cartridge.



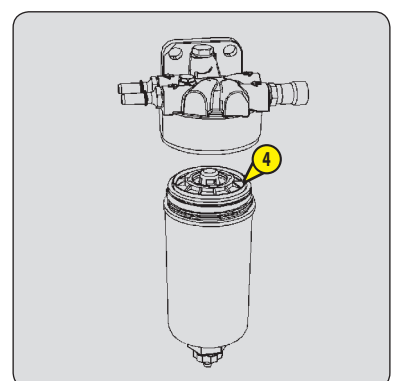
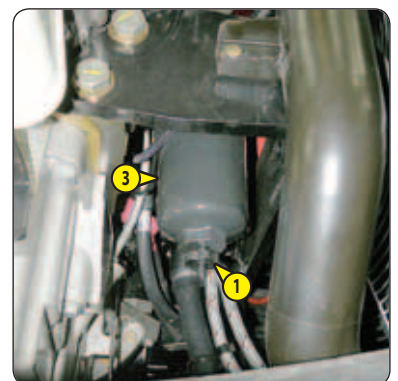
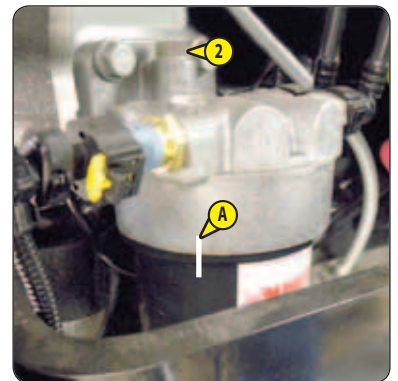
D4 – FUEL FILTER CARTRIDGE

CHANGE

⚠ IMPORTANT ⚠

Carefully clean the outside of the filter and its holder, to prevent dust from getting into the system.

- Open the engine bonnet.
- Scribe a mark A between the head and the housing of the filter.
- Place a receptacle under the drain plug 1 and loosen it by two to three turns.
- Open bleed screw 2 to ensure proper emptying.
- Retighten bleed screw 2 once the filter is emptied.
- Undo the filter housing 3.
- Remove cartridge 4 by unscrewing it and discard it together with its seal.
- Clean the inside of the filter head and housing using a brush immersed in clean diesel oil.
- Refit the assembly with a new cartridge and a new seal lubricated with clean engine oil beforehand (see: 3 - MAINTENANCE: FILTERS CARTRIDGES AND BELTS).
- Correctly position the cartridge in the filter housing and screw the assembly by hand only onto the head of the pre-filter until mark A is aligned.
- Bleed the fuel circuit (see: 3 - MAINTENANCE: H1 - FUEL SYSTEM).



D5 – FRONT AND REAR AXLE DIFFERENTIAL OIL

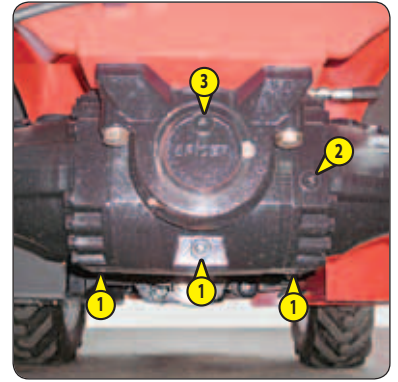
DRAIN

Place the lift truck on level ground with the engine stopped and the differential oil still warm.

⚠ IMPORTANT ⚠

Dispose of the drain oil in an ecological manner.

- Place a container under the drain plugs 1 and unscrew them.
- Remove level plug 2 and filling plug 3 to ensure that the oil is drained properly.
- Refit and tighten the drain plugs 1 (tightening torque 34 to 49 N.m).
- Fill up with oil (see: 3 - MAINTENANCE: LUBRICANTS AND FUEL) through filler port 3.
- The level is correct when the oil level is flush with the edge of opening 2.
- Check for any possible leaks at the drain plugs.
- Refit and tighten level plug 2 (tightening torque 34 to 49 N.m) and filler plug 3 (tightening torque 34 to 49 N.m).
- Repeat this operation for the rear axle differential.



E - EVERY 1000 HOURS OF SERVICE OR EVERY TWO YEARS

Carry out the operations described previously as well as the following operations.

E1 – DRY AIR FILTER CARTRIDGE

CHANGE

In case of use in a heavily dust laden atmosphere, the cartridge replacement interval must be reduced (to 250 hours in a heavily dust laden atmosphere).

⚠ IMPORTANT ⚠

*Change the cartridge in a clean location, with the engine stopped.
Never operate the lift truck with the air filter removed or damaged.*

If the air filter clogging indicator light comes on , replace the cartridge with minimum delay (maximum 1 hour).

- Open the engine bonnet.
- Loosen the bolts and remove cover 1.
- Pivot cartridge 2 towards the front and carefully remove to avoid spilling the dust.
- Leave the safety cartridge in place.
- The following parts must be cleaned with a damp, clean lint-free cloth.
 - The inside of the filter and cover.
 - The inside of the filter inlet hose.
 - The gasket surfaces in the filter and in the cover.
- Check pipes and connections between the air filter and the engine and the connection and state of the clogging indicator on the filter.
- Before mounting, check the state of the new filter cartridge (see: 3 - MAINTENANCE: FILTERS, CARTRIDGES AND BELTS).
- Tilt the cartridge approximately 5° towards the front, insert it into the filter and position it by pressing the edges and not the middle.
- Refit the cover and ensure that the clips are properly secured. The cover should fit on easily, if this is not the case, check the position of the cartridges in the filter.



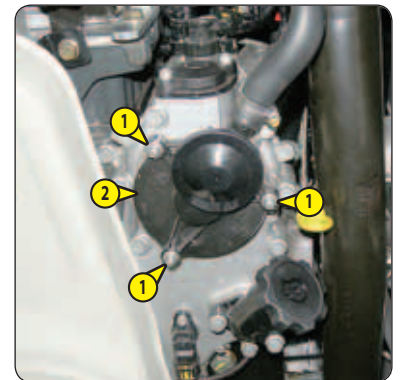
E2 – ENGINE CRANKCASE VENTILATION FILTER

CHANGE

- Open the engine bonnet.
- Carefully clean the outside of the filter and its holder, to prevent dust from getting into the system.
- Undo the nuts 1 and remove the cover 2.
- Remove the circlips 3, extract the filter 4 and discard it together with the seal of the cover 2.
- Refit a new seal on the cover and insert a new filter (see: 3 - MAINTENANCE: FILTERS CARTRIDGES AND BELTS).

NOTE: Ensure that the flats of the filter 4 and shaft 5 are aligned.

- Put back the circlips 3, refit the cover 2 and tighten the nuts 1 (tightening torque 25 N.m).



E3 – FUEL TANK

CLEAN

Place the lift truck on level ground with the engine stopped.

⚠ IMPORTANT ⚠

While carrying out these operations, do not smoke or work near a flame.

Never try to carry out a weld or any other operation by yourself, this could provoke an explosion or a fire.

- Inspect the parts susceptible to leaks in the fuel circuit and in the tank both visually and by touch.
- In the event of a leak, contact your dealer.
- Place a container under drain plug 1 and unscrew the plug.
- Open the fuel filler access panel with the ignition key.
- Remove filling plug 2 to ensure that the oil is drained properly.
- Rinse out with ten litres of clean diesel through filler port 3.
- Refit and tighten the drain plug (tightening torque 29 to 39 N.m).
- Fill the fuel tank with clean diesel filtered through the filler port.
- Refit the filler plug.
- If necessary, bleed the fuel supply system (see: 3 - MAINTENANCE: H1 - FUEL SYSTEM).



E4 – GEAR BOX OIL

DRAIN

E5 – GEAR BOX OIL FILTER

CHANGE

Place the lift truck on level ground with the engine stopped, the gear box oil still warm.

⚠ IMPORTANT ⚠

Raise the boom and place the boom safety wedge on the rod of the lifting cylinder (see: 1 - OPERATING AND SAFETY INSTRUCTIONS: LIFT TRUCK MAINTENANCE INSTRUCTIONS).

Dispose of the drain oil in an ecological manner.

Tighten the oil filter by hand pressure only and lock the filter in place by a quarter turn.

DRAINING THE OIL

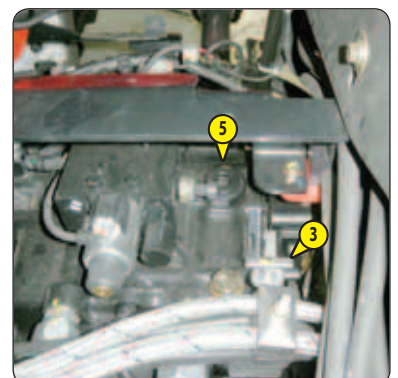
- Remove cover plate 1.
- Place a container under drain plug 2 and unscrew the plug.
- Remove dipstick 3 to ensure proper emptying.

REPLACEMENT OF THE FILTER

- Unscrew and discard gear box oil filter 4, together with its seal.
- Clean the filter bracket with a clean, lint-free cloth.
- Lightly grease the new seal before refitting the new oil filter (see: 3 - MAINTENANCE: FILTERS, CARTRIDGES AND BELTS) on its bracket.

FILLING UP THE OIL

- Refit and tighten the drain plug 2 (tightening torque 34 to 54 N.m).
- Unscrew the filler cap 5, and fill up with oil (see: 3 - MAINTENANCE: LUBRICANTS AND FUEL) through the port, and refit the filler cap 5.
- Start the engine and leave it at idle.
- Check for possible leaks from the drain plug and the oil filter.
- Check the correct level against the MAX mark on the dipstick 3.
- Top up the level if necessary.
- Refit cover plate 1.



E6 – HYDRAULIC OIL

DRAIN

E7 – HYDRAULIC RETURN OIL FILTER CARTRIDGE

CHANGE

E8 – BREATHER FOR THE HYDRAULIC OIL TANK

CHANGE

E9 – SUCTION STRAINER FOR HYDRAULIC OIL TANK

CLEAN

E10 – BRAKE ACCUMULATOR UNIT FILTER

CHANGE

Place the lift truck on level ground with the engine stopped and the boom fully retracted and lowered then remove the pressure from the circuits by acting on the hydraulic controls.

DRAINING THE OIL

⚠ IMPORTANT ⚠

Before any intervention, thoroughly clean the area surrounding the drain plug and the suction strainer on the hydraulic tank.

Use a clean container and funnel and clean the top of the oil drum before filling.

Dispose of the drain oil in an ecological manner.

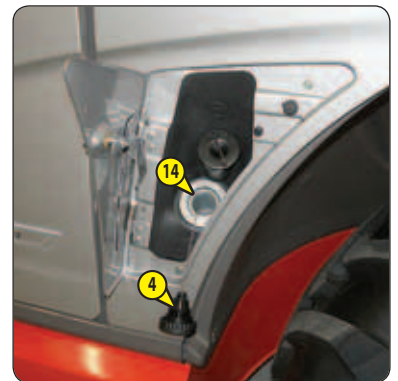
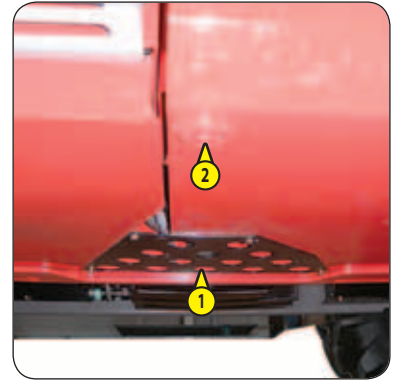
- Lift out protective casing 1.
- Place a container under drain plug 2 and unscrew the plug.
- Open the hydraulic oil filler access panel with the ignition key.
- Remove the filler cap lock 3.
- Remove level and filling plug 4 to ensure that the oil is drained properly.

REPLACING THE HYDRAULIC RETURN OIL FILTER CARTRIDGE

⚠ IMPORTANT ⚠

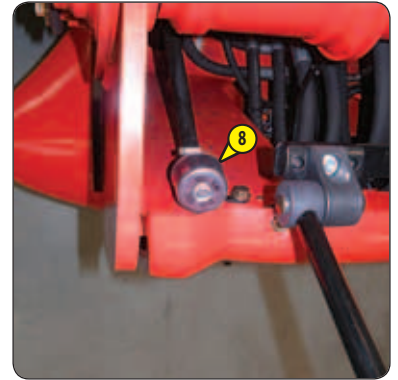
Thoroughly clean the outside of the filter and its surroundings before any intervention in order to prevent any risk of polluting the hydraulic circuit.

- Lift out protective casing 5.
- Unscrew the fastening screws of the cover 6.
- Wait a few moments while the oil flows into the tank.
- Remove the hydraulic return oil filter cartridge 7 and replace with a new one (see: 3 - MAINTENANCE: FILTERS CARTRIDGES AND BELTS).
- Make sure that the cartridge is correctly positioned and refit the cover 6.
- Refit the protective casing 5.



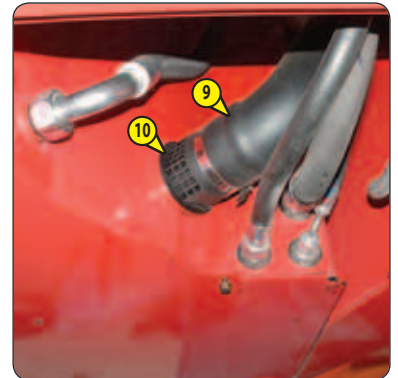
REPLACING THE BREATHER

- Unscrew the breather 8 and replace it with a new one (see: 3 - MAINTENANCE: FILTERS, CARTRIDGES AND BELTS).



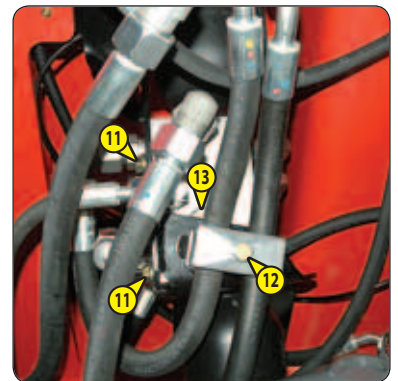
CLEANING THE STRAINER

- Disconnect hose 9.
- Remove and clean the suction strainer 10 using a compressed air jet, check its condition and replace if necessary (see: 3 - MAINTENANCE: FILTERS CARTRIDGES AND BELTS).
- Refit the suction strainer making sure the seal is in the correct position.



REPLACING THE BRAKE ACCUMULATOR UNIT FILTER

- Unscrew and remove the two fastening screws 11 and retaining ring screw 12 to free the accumulator block sufficiently.
- Unscrew plug 13, remove the filter and replace with a new one.
- Refit and tighten plug 13 (tightening torque 70 to 80 N.m).
- Refit and tighten the two fastening screws 11 and retaining ring screw 12.



FILLING UP THE OIL

- Refit and tighten the drain plug 2 (tightening torque 72 to 88 N.m).
- Fill up with oil (see: 3 - MAINTENANCE: LUBRICANTS AND FUEL) through filler port 14.
- Observe the oil level on dipstick 15; the oil level should be at the level of the black point.
- Check for any possible leaks at the drain plug.
- Refit the filler cap 4 and its lock 3.



HYDRAULIC CIRCUIT DECONTAMINATION

This operation makes a pollution abatement of the circuit possible through the hydraulic return oil filter.

- Leave the engine running (accelerator pedal at halfway travel) for 5 minutes without using anything on the lift truck, then for 5 more minutes while fully using the hydraulic movements (except the steering system and the service brakes).
- Accelerate the engine at full speed for 1 minute, then activate the steering system and the service brakes.

⚠ IMPORTANT ⚠

*Under no circumstances must the lift truck be used if the seat belt is defective (fixing, locking, cuts, tears, etc.).
Immediately repair or replace the safety belt.*

SEAT BELT WITH TWO ANCHORING POINTS

- Check the following points:
 - Fixing of the anchoring points on the seat.
 - Cleanness of the strap and the locking mechanism.
 - Triggering of the locking mechanism.
 - Condition of the strap (cuts, curled edges).

REELED SEAT BELT WITH TWO ANCHORING POINTS

- Check the points listed above together with the following points:
 - The correct winding of the belt.
 - Condition of the reel guards.
 - Roller locking mechanism when the strap is given a sharp tug.

NOTE: After an accident, replace the seat belt.

E12 – FRONT AND REAR WHEEL REDUCTION GEAR OIL**DRAIN**

Place the lift truck on level ground with the engine stopped and the reduction gear oil still warm.

⚠ IMPORTANT ⚠

Dispose of the drain oil in an ecological manner.

- Drain and change the oil of each wheel reduction gear.
- Place drain plug 1 in position A.
- Place a container under the drain plug and unscrew the plug.
- Let the oil drain fully.
- Place the drain port in position B, i.e. in a level port.
- Fill up with oil (see: 3 - MAINTENANCE: LUBRICANTS AND FUEL) through level port 1.
- The level is correct when the oil level is flush with the edge of the hole.
- Refit and tighten the drain plug (tightening torque 34 to 49 N.m).



F - EVERY 2000 HOURS OF SERVICE OR EVERY TWO YEARS

Carry out the operations described previously as well as the following operations.

F1 - COOLING LIQUID

DRAIN

These operations are to be carried out if necessary or every two years at the beginning of winter. Place the lift truck on level ground with the engine stopped and cold.

⚠ IMPORTANT ⚠

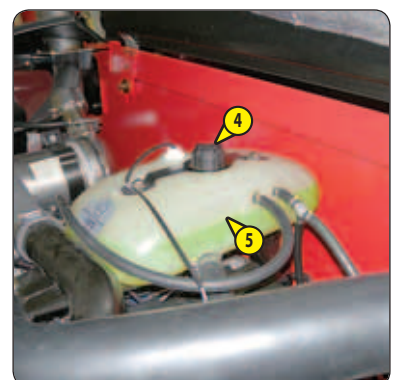
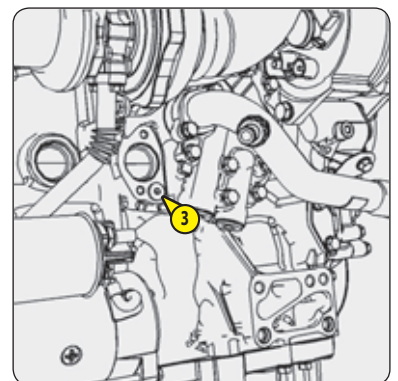
The engine does not contain any anti-corrosion element and must be filled during the whole year with a mixture of 25 % ethylene glycol-based antifreeze.

DRAINING THE LIQUID

- Open the engine bonnet.
- Remove access panel 1.
- Place a container under drain valve 2 on the radiator and drain plug 3 of the engine block and loosen the plugs.
- Remove filler plug 4 from the expansion tank and fully open the heating control to ensure proper emptying.
- Let the cooling circuit drain entirely while ensuring that the ports do not get clogged.
- Check the condition of the hoses as well as the fastening devices and change the hoses if necessary.
- Rinse the circuit with clean water and use a cleaning agent if necessary.

FILLING THE LIQUID

- Tighten the drain valve 2 and drain plug 3 (tightening torque 40 N.m).
- Slowly fill the circuit with cooling liquid through the filler port (see: 3 - MAINTENANCE: LUBRICANTS AND FUEL) up to the middle of the expansion tank 5.
- Refit filler plug 4.
- Run the engine at idle for a few minutes.
- Check for any possible leaks.
- Refit access panel 1.
- Check the level and refill if necessary.



- Check the condition of the tyres, to detect cuts, protuberances, wear, etc.
- Check the tightening torque of the wheel nuts with a torque wrench.
 - Front wheels: 630 N.m \pm 15%
 - Rear wheels: 630 N.m \pm 15%

F3 – AIR CONDITIONING (OPTION)**CLEANING CONDENSER AND EVAPORATOR COILS (*)****CLEANING CONDENSATE TRAY AND RELIEF VALVE (*)****COLLECTING COOLANT TO REPLACE FILTER-DRIER (*)****REFILLING WITH COOLANT AND CHECKING THE THERMOSTATIC CONTROL AND PRESSURE SWITCHES (*)**

NOTE: When opening the evaporator unit, remember to replace the cover seal.

(*): (CONSULT YOUR DEALER).

⚠ IMPORTANT ⚠

DO NOT ATTEMPT TO REPAIR ANY PROBLEMS YOURSELF. ALWAYS REFER TO YOUR DEALER WHEN REFILLING CIRCUITS, AS THEY HOLD THE CORRECT SPARE PARTS, AS WELL AS HAVING THE NECESSARY TECHNICAL KNOWLEDGE AND TOOLS.

In the event of inhalation, take the victim into fresh air, give oxygen or artificial respiration if necessary and call a doctor.

In the event of contact with the skin, wash it immediately under running water and remove any contaminated garments.

In the event of contact with the eyes, rinse with clear water for 15 minutes and call a doctor.

- Do not open the circuit under any circumstances as this would loss of coolant.
- The cooling circuit contains a gas which can be dangerous under certain conditions. This gas, coolant R-134a, is colourless, odourless and heavier than air.
- The compressor has a fluid level gauge; never unscrew this gauge because it would depressurize the system. The fluid level should only be checked when draining the system.



G - EVERY 3000 HOURS OF SERVICE

Carry out the operations described previously as well as the following operations.

G1 - SAFETY DRY AIR FILTER CARTRIDGE

CHANGE

- For the disassembly and reassembly of the dry air filter cartridge, see: 3 - MAINTENANCE: E1 - DRY AIR FILTER CARTRIDGE.
 - Gently remove the dry air filter safety cartridge 1, taking care to avoid spilling the dust.
 - Clean the gasket surface on the filter with a damp, clean lint-free cloth.
 - Check the condition of the new safety cartridge before fitting (see: 3 - MAINTENANCE: FILTERS, CARTRIDGES AND BELTS).
 - Place the cartridge into the filter and position it by pressing the edges, not the middle.
- NOTE: The periodicity for changing the safety cartridge is given for information only. It must be changed once for every three changes of the dry air filter.



G2 - ALTERNATOR BELT

CHANGE

- Open engine bonnet and the lower cover.
- Remove the protective casing 1.

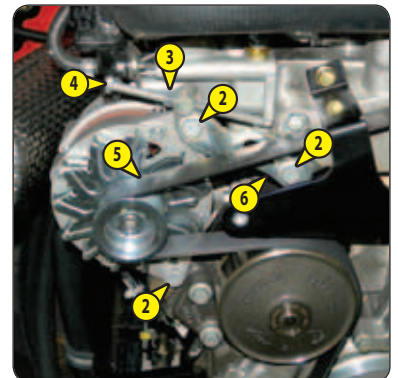
REMOVING THE BELT

- Loosen screws 2 by two to three turns.
- Release lock nut 3, and undo screw 4 sufficiently to be able to swivel the alternator and release the alternator belt 5.

NOTE: Take advantage of belt removal to check the correct operation of the pulleys and bearings (noise, rubbing, play, etc.).

REFITTING THE BELT

- Refit a new alternator belt if required (see: 3 - MAINTENANCE: FILTERS CARTRIDGES AND BELTS). Ensure that it is properly seated in the grooves of each pulley.
- Tighten screw 4 to tension the belt until the adjustment lug 6 is in contact with the fixing screw 2.
- Retighten screws 2 (tightening torque 50 N.m).
- Undo the screws 4 by two turns and block the lock nut 3.
- Refit the protective casing 1.



H - OCCASIONAL MAINTENANCE

H1 – FUEL SYSTEM

BLEEDING

These operations are to be carried out only in the following cases:

- A component of the fuel system replaced.
- A drained tank.
- Running out of fuel.

⚠ IMPORTANT ⚠

Fuel under high pressure that comes into contact with the skin can penetrate the skin and cause burns.

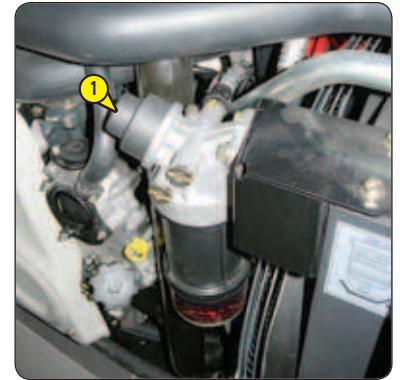
Spraying fuel under high pressure can cause a fire.

Failure to follow the inspection and maintenance instructions may result in serious injury.

Never work on the high pressure system.

Failure to follow this instruction may result in serious damage to the engine.

The high pressure fuel system must be adjusted and repaired only by approved and suitably trained technicians.



Ensure that the level of fuel in the tank is sufficient and bleed in the following order:

- Open the engine bonnet.
- Check the condition of the fuel system.
- Operate the hand pump 1 approximately 80 times to remove air from the low pressure system.
- The engine is ready to be started up.
- Run the engine at idle for 5 minutes immediately after bleeding the fuel feed circuit, in order to ensure that the injection pump has been bled thoroughly.

NOTE: If the engine functions correctly for a short time then stops or functions irregularly, check for possible leaks in the low pressure circuit. If in doubt, contact your dealer.

H2 – "STATIONARY LIFT TRUCK" EXHAUST PARTICLE FILTER





REGENERATE

⚠ IMPORTANT ⚠

Exhaust particle filter cleaning is an automated procedure activated by the operator when

screens  or  or  or are displayed.





- Park the lift truck in a safe and adequately ventilated place.
- Check the following points:
 - forward/reverse selector in neutral,
 - parking brake applied,
 - boom angle less than 5°,
 - Stabilisers raised MT1135 ST3B / MT1335 ST3B,
 - engine water temperature greater than 70 °C,
 - accelerator pedal released,
 - high exhaust gas temperature indicator lamp  off.
- Check that there is sufficient fuel.
- Start the lift truck and run the engine for a few minutes to bring it up to its operating temperature.
- Press down on the top of switch 1 for more than two seconds to begin the regeneration procedure.
- The help screen  will be displayed, the indicator light  will come on, then a beep will sound to confirm that "stationary lift truck" particle filter regeneration is running. Failing this, the help screen  will appear and a beep will sound. Recheck the positioning of the lift truck and contact your dealer if necessary.
- The engine is running at 2000 rpm during the procedure.

⚠ IMPORTANT ⚠

The exhaust particle filter regeneration procedure must only be stopped in case of necessity.

If the operator presses the accelerator pedal or the forward/reverse selector during regeneration, the procedure will be automatically halted.



- The time taken for exhaust particle filter regeneration to complete varies (between 15 and 30 minutes) according to various criteria, such as:
 - the level of clogging of the filter,
 - the ambient temperature,
 - the fuel quality and type of engine oil,
 - the number of exhaust particle filter automatic regeneration requests previously cancelled.
- The help screen  and the indicator light  goes off when the regeneration procedure is complete. The engine speed returns to idle initial.

⚠ IMPORTANT ⚠

After the exhaust particle filter regeneration procedure, let the engine idle for a few minutes to lower its temperature before switching off the ignition.

H3 – WHEEL

CHANGE

For this operation, we advise you to use the hydraulic jack MANITOU reference 505507 and the safety support MANITOU reference 554772.

⚠ IMPORTANT ⚠

In the event of a wheel being changed on the public highway, secure the lift truck vicinity:

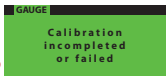

- Stop the lift truck, if possible on firm, level ground.
- Shut-down the lift truck (see: 1 - OPERATING AND SAFETY INSTRUCTIONS: DRIVING INSTRUCTIONS UNLADEN AND LADEN).
- Switch on the warning lights.
- Immobilise the lift truck in both directions on the axle opposite to the wheel to be changed.
- Loosen the nuts of the wheel to be changed.
- Place the jack under the flared axle tube, as near as possible to the wheel and adjust the jack.
- Raise the wheel until it is clear of the ground and place the safety support under the axle.
- Completely unscrew the wheel nuts and remove them.
- Free the wheel by reciprocating movements and roll it to the side.
- Slip the new wheel on the wheel hub.
- Hand-tighten the nuts, grease them if necessary.
- Remove the safety support and lower the lift truck with the jack.
- Tighten the wheel nuts with a torque wrench (see: 3 - MAINTENANCE: A - DAILY OR EVERY 10 HOURS OF SERVICE for tightening torque).



According to the use of the lift truck, the device may require to be periodically reset. This procedure simplifies the operation.

⚠ IMPORTANT ⚠



Scrupulously follow the boom positioning instructions.

The appearance of the  screen indicates a failure to obey an instruction, a cancellation request  or a late response. *If in doubt, consult your dealer.*





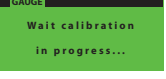




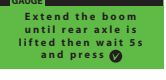

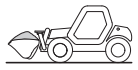

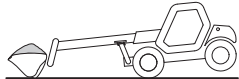


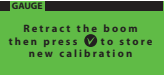

Une fois le recalage terminé, contrôler le bon fonctionnement du dispositif avertisseur et limiteur de stabilité longitudinale (voir: 3 - MAINTENANCE: A - TOUS LES JOURS OU TOUTES LES 10 HEURES DE MARCHE).

When the reset is completed, check the operation of the longitudinal stability limiter and warning device (see: 3 - MAINTENANCE: A - DAILY OF EVERY 10 HOURS SERVICE).

- Provide a fork carrier or a bucket and a load corresponding to at least half the lift truck's rated capacity.
- Preferably perform the reset when the lift truck is still cold (before it is used) or ensure that the temperature of the rear axle is not more than 50 °C.
- Place the lift truck on flat, level ground with the wheels straight.

- Display the GAUGE "reset strain gauge" menu  (see: 2 - DESCRIPTION: 6D - SCREEN DISPLAY: MENU SCREEN) and validate .

- Enter the CUSTOMER code  and validate .

STAGE 1 ↓		Fully extend the stabilizers. MT 1135 ST3B / MT 1335 ST3B	Validate 
STAGE 2 ↓		Fully raise the boom with the telescopes fully retracted.	Validate 
STAGE 3 ↓		Calibration in progress...	Go to stage 4.
STAGE 4 ↓		Fully lower the boom with the engine running at full revs and the hydraulic control at the maximum setting.	Validate 
STAGE 5 ↓		Fully raise the stabilizers. MT 1135 ST3B / MT 1335 ST3B	Validate 
STAGE 6 ↓		<p> / </p> <p>With the fork carriage or the bucket and a load. Boom fully retracted in the lowered position, approximately 20 centimetres from the ground.</p> <p> / </p> <p><i>Keep the load as close to the ground as possible throughout this operation.</i></p> <p>Hold down the disable the "aggravating" hydraulic movement cut-off button  (indicator lamp lit), and telescope the boom until the rear wheels leave the ground.</p>	Wait 5 seconds and validate 
FINISH		Perform telescope retraction to restore the situation.	Validate  to record the new parameters

H5 – FRONT HEADLIGHTS

ADJUSTING

RECOMMENDED SETTING

(as per standard ECE-76/756 76/761 ECE20)

Set to - 2% of the dipped beam in relation to the horizontal axis of the headlamp.

ADJUSTING PROCEDURE

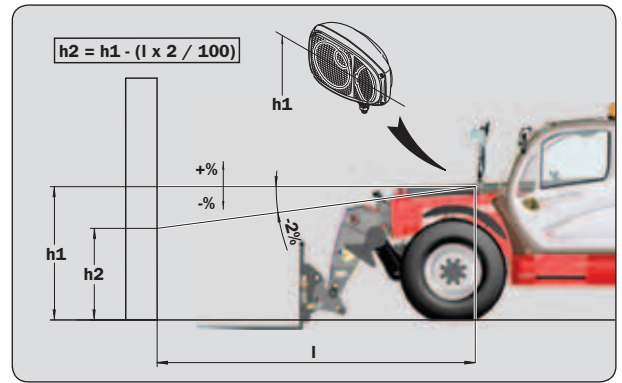
Place the unladen lift truck in the transport position and perpendicular to a white wall on flat, level ground.

Check the tyre pressures (see: 2 - DESCRIPTION: FRONT AND REAR TYRES).

Place the forward/reverse selector in neutral.

CALCULATING THE HEIGHT OF THE DIPPED BEAM (H2)

- h1 = Height of the dipped beam in relation to the ground.
- h2 = Height of the adjusted beam.
- l = Distance between the dipped beam and the white wall.



H6 – BATTERY FAILURE

CHANGE

⚠ IMPORTANT ⚠

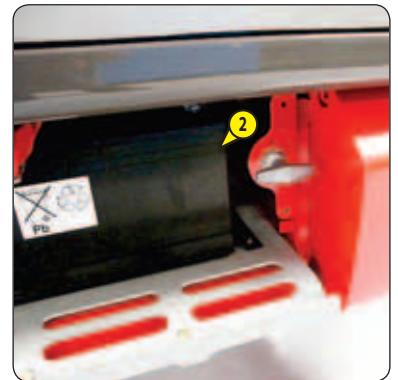
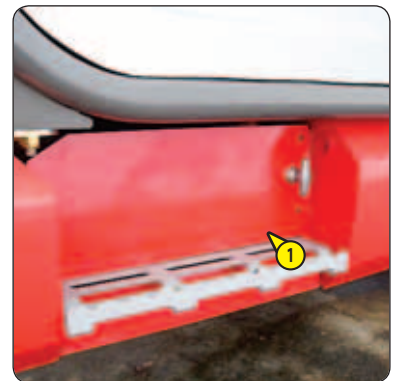
Operate the battery cut-out no less than 30 seconds after having switched off the ignition with the ignition key.

Handling and servicing a battery can be dangerous, take the following precautions:

- Wear protective goggles.
- Keep the battery horizontal.
- Never smoke or work near a naked flame.
- Work in a well-ventilated area.

In the event of electrolyte being spilled onto the skin or splashed in the eyes, rinse thoroughly with cold water for 15 minutes and call a doctor.

- Lift out protective casing 1.
- Change the battery 2.



H7 – LIFT TRUCK

TOWING

⚠ IMPORTANT ⚠

Do not tow the lift truck at more than 6 km/h over a maximum distance of 5 km.

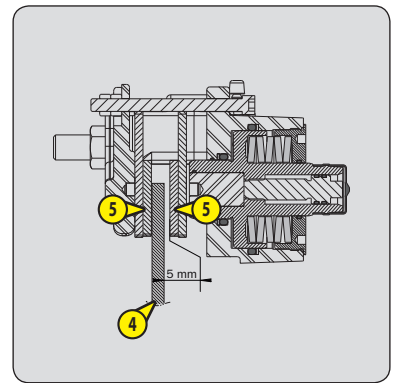
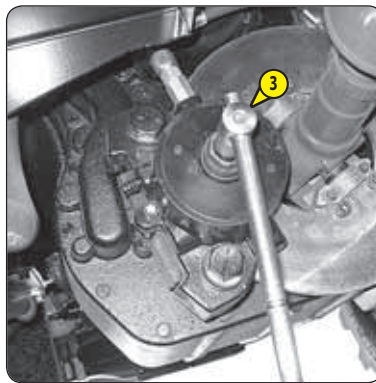
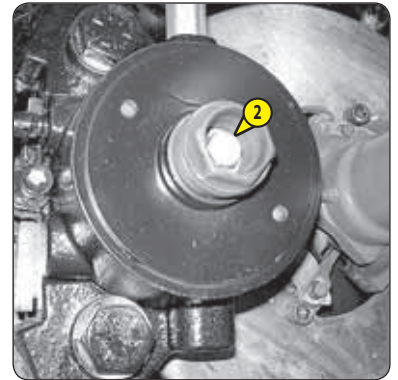
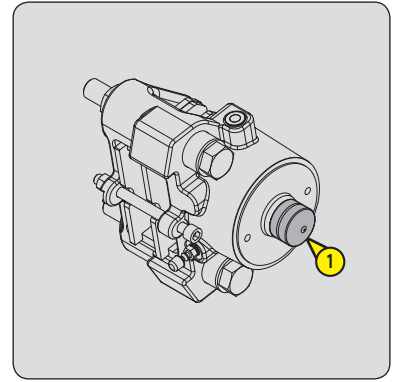
This is a dangerous manoeuvre

Carefully chock the lift truck before towing, as the parking brake system is inoperative.

For adjusting the parking brake, please contact your dealer.

- Place the forward/reverse selection lever and gear shift lever in neutral.
- Chock the lift truck.
- Remove the cap 1.
- Loosen screw 2 with a pin wrench 3 to release the brake disk. Leave a minimum clearance of 5 mm between the disk 4 and the brake pads 5.
- Put the towing device into place.
- Remove the chocks.
- Switch on the warning lights.

NOTE: Since there will be no steering or braking assistance, operate these controls slowly. Avoid sudden jerky movements.



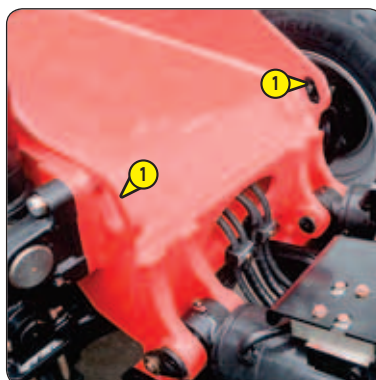
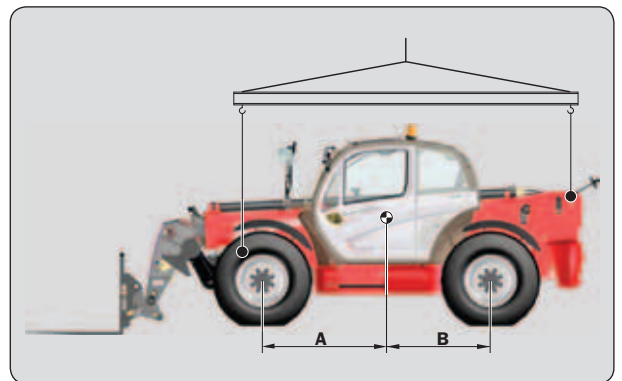
H8 – LIFT TRUCK

SLINGING

- Take into account the position of the lift truck centre of gravity for lifting.

A = 1497 mm	B = 1383 mm	MT 835 ST3B
A = 1431mm	B = 1449 mm	MT 1135 ST3B
A = 1491 mm	B = 1389 mm	MT 1335 ST3B

- Place the hooks in the fastening points 1 provided.



⚠ IMPORTANT ⚠

Ensure that the safety instructions associated with the platform are complied with before loading the lift truck and that the driver of the carrier vehicle is informed of the dimensions and the weight of the lift truck (see 2 - DESCRIPTION: CHARACTERISTICS).

Ensure that the platform is of sufficient size and load capacity for transporting the lift truck.
Check also the allowable ground contact pressure of the platform relative to the lift truck.

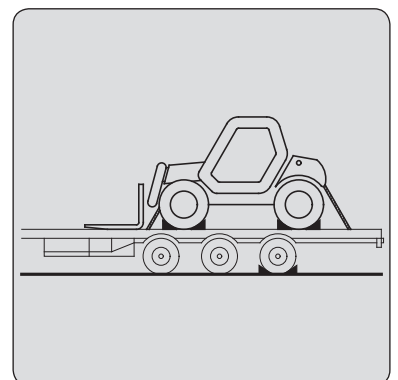
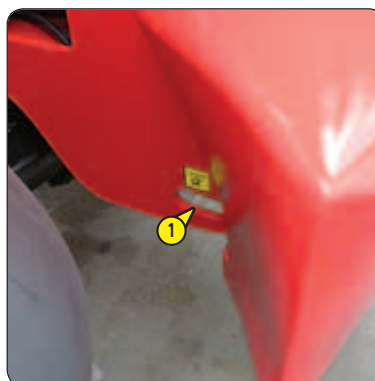
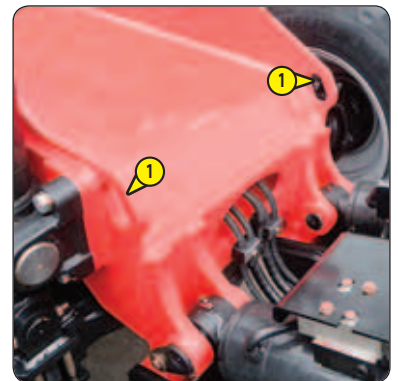
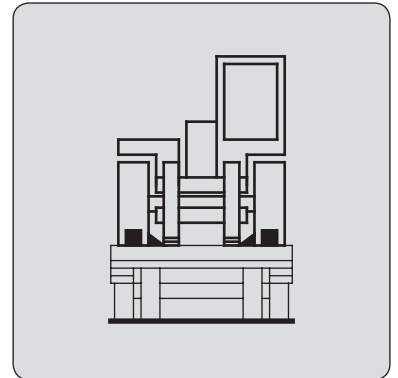
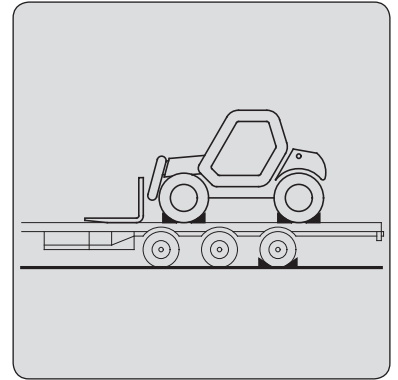
For lift trucks equipped with a turbo-charged engine, block off the exhaust outlet to avoid rotation of the turbo shaft without lubrication when transporting the vehicle.

LOADING THE LIFT TRUCK

- Block the wheels of the platform.
- Attach the loading ramps to the platform in such a way as to give the shallowest possible ramp angle for the lift truck.
- Load the lift truck parallel to the platform.
- Shut down the lift truck (see: 1 - OPERATING AND SAFETY INSTRUCTIONS: DRIVING INSTRUCTIONS UNLADEN AND LADEN).

STOWING THE LIFT TRUCK

- Fix the chocks to the platform at the front and at the back of each tyre.
- Also fix the chocks to the platform on the inside of each tyre.
- Secure the lift truck to the platform with sufficiently strong ropes to the anchoring points 1 provided.
- Tighten the ropes.



4 - OPTIONAL ATTACHMENTS FOR USE WITH THE RANGE

TABLE OF CONTENTS

4 - OPTIONAL ATTACHMENTS FOR USE WITH THE RANGE

<i><u>INTRODUCTION</u></i>	5
<i><u>PICKING UP THE ATTACHMENTS</u></i>	6
<i><u>TECHNICAL SPECIFICATIONS OF ATTACHMENTS</u></i>	8
<i><u>ATTACHMENT SHIELDS</u></i>	14

INTRODUCTION

- Your lift truck must be used with interchangeable equipment. These items are called: ATTACHMENTS.
- A wide range of attachments, specially designed and perfectly suitable for your lift truck is available and guaranteed by MANITOU.

⚠ IMPORTANT ⚠

Only attachments approved by MANITOU are to be used on our lift trucks

(see: 4 - ADAPTABLE ATTACHMENTS IN OPTION ON THE RANGE: TECHNICAL SPECIFICATIONS OF ATTACHMENTS).

The manufacturer's liability will be denied in case of modification or of attachment adaptation carried out without his knowing it.

- The attachments are delivered with a load chart concerning your lift truck. The operator's manual and the load chart should be kept in the places provided in the lift truck. For standard attachments, their use is governed by the instructions contained on this notice.

⚠ IMPORTANT ⚠

Maximum loads are defined by the capacity of a lift truck taking account of the attachment's mass and centre of gravity.

In the event of the attachment having less capacity than the lift truck, never exceed this limit.

- Some particular uses require the adaptation of the attachment which is not provided in the price-listed options. Optional solutions exist, consult your dealer.

⚠ IMPORTANT ⚠

Depending on their size, certain attachments may, when the boom is lowered and retracted, come into contact with the front tyres and cause damage to them, if reverse tilt is activated in the forward tilt direction.

TO REMOVE THIS RISK, EXTEND THE TELESCOPE TO A SUFFICIENT EXTENT FOR THE PARTICULAR LIFT TRUCK AND ATTACHMENT SO THAT THIS CONTACT IS NOT POSSIBLE.

SUSPENDED LOAD

⚠ IMPORTANT ⚠

Suspended load MUST be handled with a lift truck designed for that purpose

(see: 1 - OPERATING AND SAFETY INSTRUCTIONS: LOAD HANDLING INSTRUCTIONS: H - TAKING-UP AND SETTING-DOWN A SUSPENDED LOAD).

USE THE SINGLE SIDE-SHIFT CARRIAGE

⚠ IMPORTANT ⚠

The single side-shift carriage (TSDL) is only compatible with the following attachments:

- floating fork carriage (TFF)
- tilting fork carriage (PFB)
- loading bucket (CBR)
- concrete bucket (BB, BBG)
- spout bucket (GL)
- crane jib and crane jib with winch (P, PT, PO, PC)
- winch (H)
- fixed platform, swivelling platform, roofer's platform.

It is prohibited to use any other attachments on the TSDL.

If it is being used with a loading bucket (CBR), the single side-shift carriage MUST be centred and no side-shift operations performed.

Attachments authorised for use on the TSDL must comply strictly with the applications for which they are designed.

It is prohibited to use them for any other application (for example, earth moving, excavation, desurfacing, back scraping, etc. for the loading bucket CBR) or any application placing abnormal stress on the structure of the TSDL: risk of deformation which could cause the load to fall.

USE THE BUCKETS

⚠ IMPORTANT ⚠

The MT 1335 ST3B, are lift trucks essentially intended for handling. Occasional use with the buckets CBC/CBR/CB4x1 is authorised (only with the boom completely retracted, in order to reduce stress on the boom head), but under no circumstances is intensive use for difficult applications (quarry, waste, cereals, agriculture, etc) permissible.

PICKING UP THE ATTACHMENTS

1 - ATTACHMENT WITHOUT HYDRAULICS AND HAND LOCKING DEVICE

TAKING UP AN ATTACHMENT

- Ensure that the attachment is in a position facilitating the locking to the carriage. If it is not correctly oriented, take the necessary precautions in order to move it safely.
- Check that the locking pin and the clip are in position in the bracket (fig. A).
- Place the lift truck with the boom fully lowered in front of and parallel to the attachment, tilt the carriage forwards (fig. B).
- Bring the carriage under the locking tube of the attachment, slightly lift the boom, incline the carriage backwards in order to position the attachment (fig. C).
- Lift the attachment off the ground to facilitate locking.

HAND LOCKING

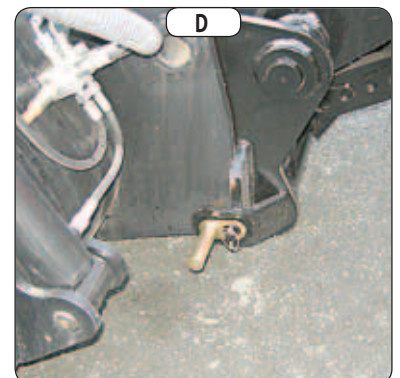
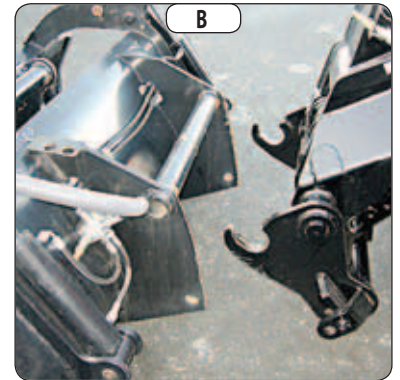
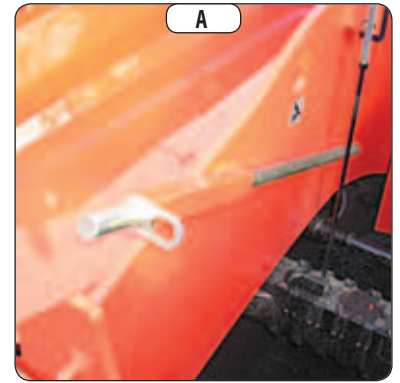
- Take the locking pin and the clip on the bracket (fig. A) and lock the attachment (fig. D). Do not forget to refit the clip.

HAND RELEASING

- Proceed in the reverse order of paragraph HAND LOCKING while making sure you put back the locking pin and the clip in the bracket (fig. A).

LAYING AN ATTACHMENT

- Proceed in the reverse order of paragraph TAKING UP AN ATTACHMENT while making sure you place the attachment flat on the ground and in closed position.



2 - HYDRAULIC ATTACHMENT AND MANUAL LOCKING DEVICE

TAKING UP AN ATTACHMENT




- Ensure that the attachment is in a position facilitating the locking to the carriage. If it is not correctly oriented, take the necessary precautions in order to move it safely.
- Check that the locking pin and the clip are in position in the bracket (fig. A).
- Place the lift truck with the boom fully lowered in front of and parallel to the attachment, tilt the carriage forwards (fig. B).
- Bring the carriage under the locking tube of the attachment, slightly lift the boom, incline the carriage backwards in order to position the attachment (fig. C).
- Lift the attachment off the ground to facilitate locking.

MANUAL LOCKING AND CONNECTION OF THE ATTACHMENT

⚠ IMPORTANT ⚠

Make sure that the rapid connectors are clean and protect the holes which are not used, with the caps provided.

- Take the locking pin and the clip on the bracket (fig. A) and lock the attachment (fig. D). Do not forget to refit the clip.
- Stop the I.C. engine and keep the ignition on the lift truck.

- Press for two seconds on the push-button  to release the attachment circuit hydraulic pressure. Screens  and  will be alternately displayed.

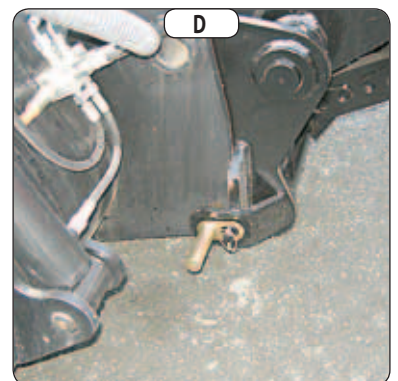
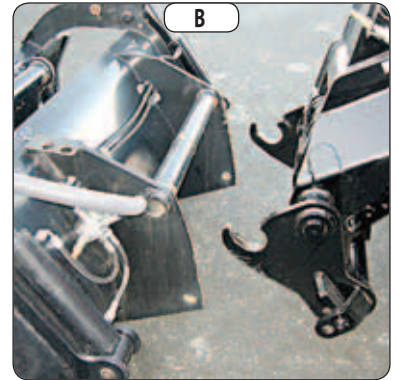
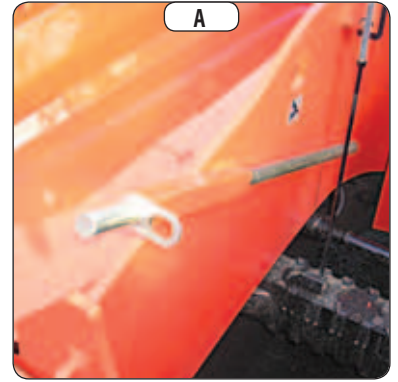
- Connect the rapid connectors according to the logic of the attachment's hydraulic movements.

HAND RELEASING AND DISCONNECTING THE ATTACHMENT

- Proceed in the reverse order of paragraph HAND LOCKING AND CONNECTING THE ATTACHMENT while making sure you put back the locking pin and the clip in the bracket (fig. A).

LAYING AN ATTACHMENT

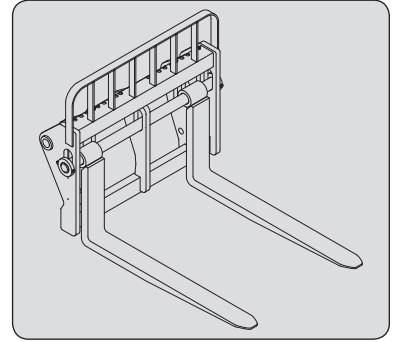
- Proceed in the reverse order of paragraph TAKING UP AN ATTACHMENT while making sure you place the attachment flat on the ground and in closed position.



TECHNICAL SPECIFICATIONS OF ATTACHMENTS

FLOATING FORK CARRIAGE

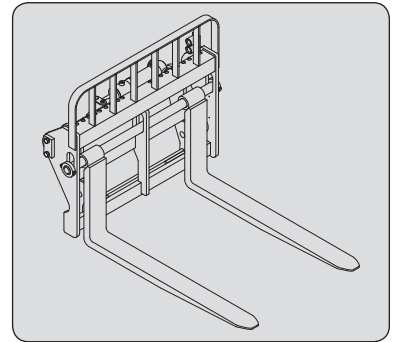
	TFF 35 MT-1040	TFF 35 MT-1300
PART NUMBER	654093	654094
Rated capacity	3500 kg	3500 kg
Width	1040 mm	1300 mm
Weight	300 kg	325 kg



FLOATING FORK SIDE-SHIFT CARRIAGE

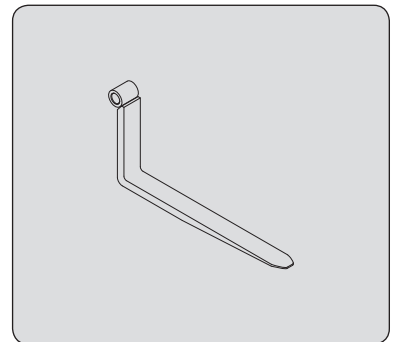
Use is prohibited with the optional single side-shift carriage (TSDL).

	TFF 35 MT-1040 DL	TFF 35 MT-1300 DL
PART NUMBER	751543	751544
Rated capacity	3500 kg	3500 kg
Side-shift	2x100 mm	2x100 mm
Width	1040 mm	1300 mm
Weight	345 kg	375 kg



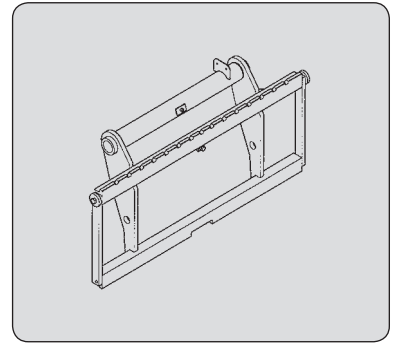
FLOATING FORK

	415801
PART NUMBER	
Section	125x45x1200 mm
Weight	68 kg



STANDARDISED TILTING FORK CARRIAGE

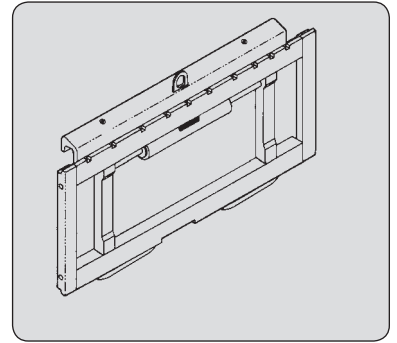
	PFB 35 N MT-1260 S2	PFB 35 N MT-1470 S2	PFB 35 N MT-1580 S2
PART NUMBER	653744	653745	653746
Rated capacity	3500 kg	3500 kg	3500 kg
Width	1260 mm	1470 mm	1580 mm
Weight	95 kg	120 kg	125 kg



STANDARDISED SIDE-SHIFT CARRIAGE

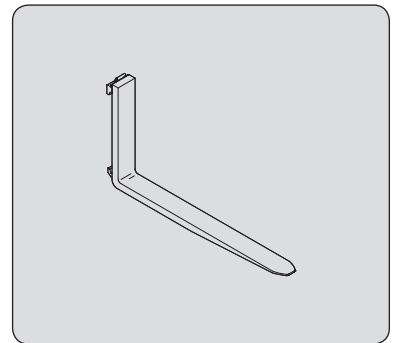
Use is prohibited with the optional single side-shift carriage (TSDL).

	TDL 3T5 L1260 FEM3	TDL 5T L1470 FEM3	TDL 5T L1580 FEM3
PART NUMBER	751375	751376	751377
Rated capacity	3500 kg	5000 kg	5000 kg
Side-shift	2x100 mm	2x100 mm	2x100 mm
Width	1260 mm	1470 mm	1580 mm
Weight	79 kg	167 kg	177 kg



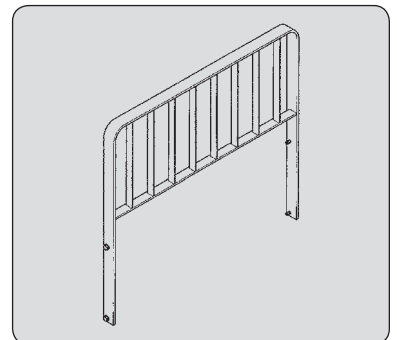
STANDARDISED FORK

	415618
PART NUMBER	415618
Section	125x45x1200 mm
Weight	72 kg



LOAD BACK REST

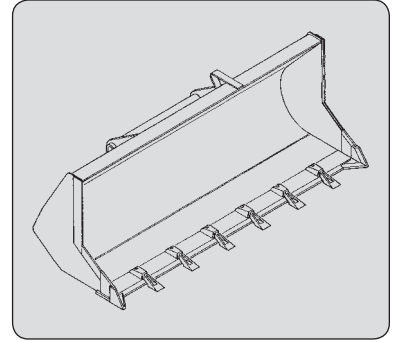
	556008	555325	556010
PART NUMBER	556008	555325	556010
Width	1260 mm	1470 mm	1580 mm
Weight	39 kg	41 kg	42 kg



BUILDING BUCKET

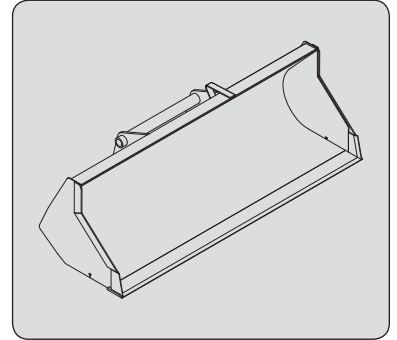
Use is prohibited with the optional single side-shift carriage (TSDL).

	CBC 700 L1950 S2	CBC 800 L2250 S3	CBC 900 L2450 S3
PART NUMBER	654472	654471	654470
Rated capacity	697 l	814 l	893 l
Width	1950 mm	2250 mm	2450 mm
Weight	330 kg	385 kg	410 kg



LOADING BUCKET

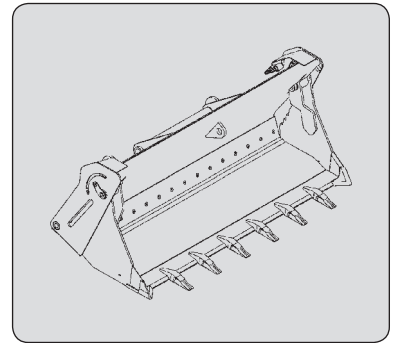
	CBR 780 L1950 S2	CBR 950 L2300 S2	CBR 1000 L2450 S2
PART NUMBER	570613		654716
Rated capacity	778 l	l	990 l
Width	1950 mm	2300 mm	2450 mm
Weight	340 kg	kg	410 kg



BUCKET 4X1

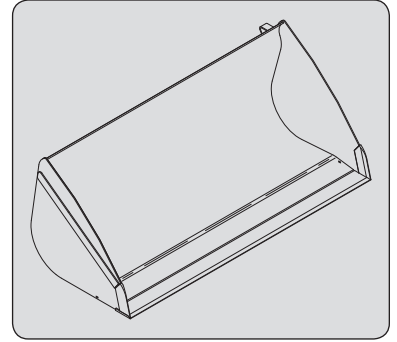
Use is prohibited with the optional single side-shift carriage (TSDL).

	CB4X1-700 L1950	CB4X1-850 L2300	CB4X1-900 L2450
PART NUMBER	751402	751401	751465
Rated capacity	700 l	850 l	900 l
Width	1950 mm	2300 mm	2450 mm
Weight	640 kg	735 kg	765 kg



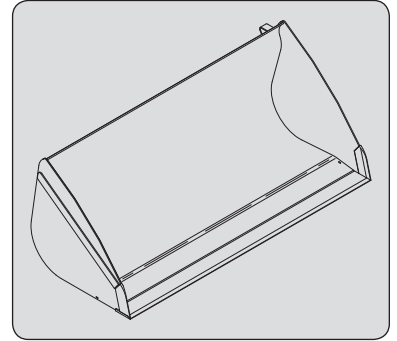
GRAIN BUCKET

	CBA 1500 L2450 S3	CBA 2000 L2450 S3	CBA 2500 L2450 S3
PART NUMBER	570547	570551	570553
Rated capacity	1524 l	1998 l	2508 l
Width	2450 mm	2450 mm	2450 mm
Weight	500 kg	607 kg	701 kg



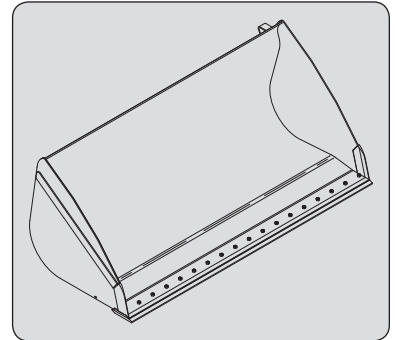
GRAIN BUCKET

	CBA 3000 L2500 S3
PART NUMBER	570555
Rated capacity	3003 l
Width	2500 mm
Weight	774 kg



GRAIN BUCKET (WITH REVERSIBLE AND REMOVABLE AND CUTTING EDGE)

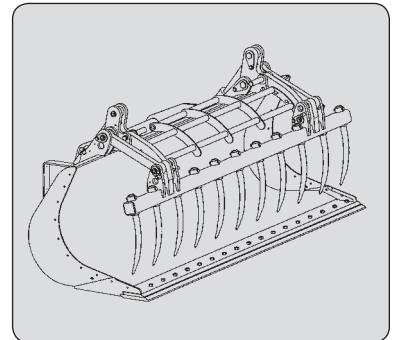
	CBA 1500 L2450 LDR S3	CBA 2000 L2450 LDR S3	CBA 2500 L2450 LDR S3
PART NUMBER	570548	570552	570554
Rated capacity	1524 l	1998 l	2508 l
Width	2450 mm	2450 mm	2450 mm
Weight	572 kg	678 kg	772 kg



MULTIPURPOSE BUCKET (WITH REVERSIBLE AND REMOVABLE AND CUTTING EDGE)

Use is prohibited with the optional single side-shift carriage (TSDL).

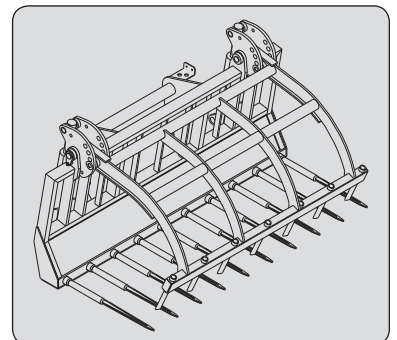
	CBM 2450 LDR S5
PART NUMBER	752195
Rated capacity	1,03 m ³
Width	2450 mm
Grab	11
Weight	790 kg



MANURE FORK WITH GRAB

Use is prohibited with the optional single side-shift carriage (TSDL).

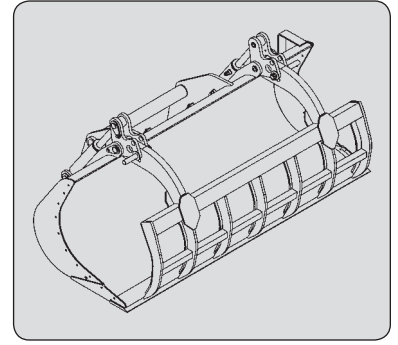
	FFGR 30 MT 2100 S5	FFGR 30 MT 2400 S5	FFGR 30 MT 2100 DR
PART NUMBER	556843	570594	570728
Rated capacity	1700 Kg	1700 Kg	1700 Kg
Width	2100 mm	2400 mm	2100 mm
Finger	10	12	10 (round finger)
Grab	7	8	7
Weight	567 kg	606 kg	567 kg



GRAB BUCKET

Use is prohibited with the optional single side-shift carriage (TSDL).

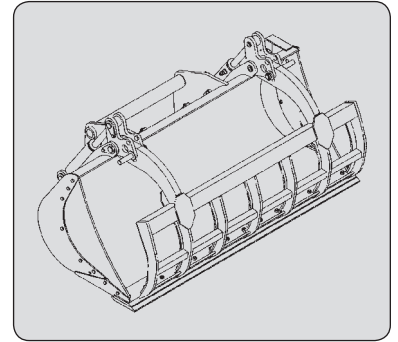
	CBG 1950 S5	CBG 2300 S5	CBG 2450 S5
PART NUMBER	784634	784636	784639
Rated capacity	1 m3	1,2 m3	1,26 m3
Width	1950 mm	2300 mm	2450 mm
Grab	7	8	8
Weight	595 kg	660 kg	680 kg



GRAB BUCKET (NON-HAZARDOUS INDUSTRIAL WASTE)

Use is prohibited with the optional single side-shift carriage (TSDL).

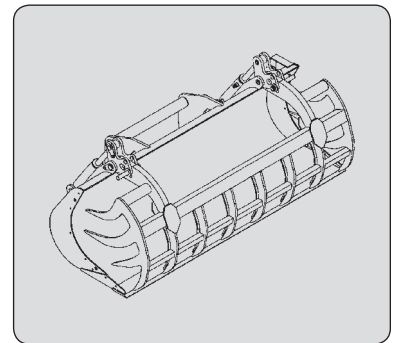
	CBG 1950 DIB S5	CBG 2300 DIB S5	CBG 2450 DIB S5
PART NUMBER	788675	788676	788677
Rated capacity	1 m3	1,2 m3	1,26 m3
Width	1950 mm	2300 mm	2450 mm
Grab	7	8	8
Weight	690 kg	760 kg	785 kg



GRAB BUCKET (GRAB CLOSED)

Use is prohibited with the optional single side-shift carriage (TSDL).

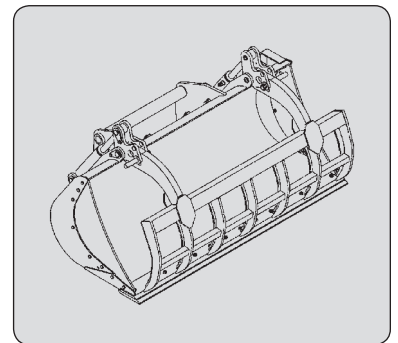
	CBG 2300 GF S5
PART NUMBER	784638
Rated capacity	1,2 m3
Width	2300 mm
Grab	8
Weight	700 kg



GRAB BUCKET (CLOSED JAWS AND REVERSIBLE REMOVABLE BLADE)

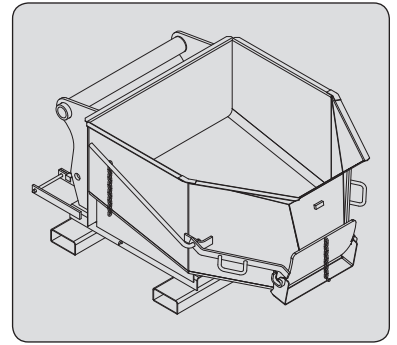
Use is prohibited with the optional single side-shift carriage (TSDL).

	CBG 1950 JFD-LDR S5	CBG 2300 JFD-LDR S5	CBG 2450 JFD-LDR S5
PART NUMBER	784635	784637	784640
Rated capacity	1 m3	1,2 m3	1,26 m3
Width	1950 mm	2300 mm	2450 mm
Grab	7	8	8
Weight	690 kg	760 kg	785 kg



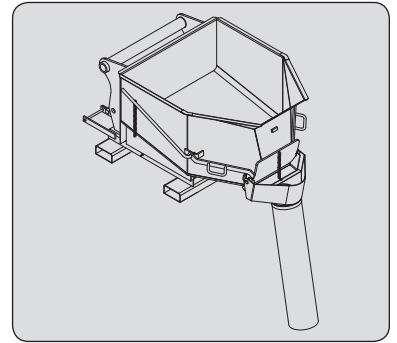
CONCRETE BUCKET (ADAPTABLE ON FORKS)

	BB 500 S4	BBH 500 S4
PART NUMBER	654409	751462
Rated capacity	500 l/1300 kg	500 l/1300 kg
Width	1100 mm	1100 mm
Weight	205 kg	220 kg



CONCRETE BUCKET WITH SPOUT (ADAPTABLE ON FORKS)

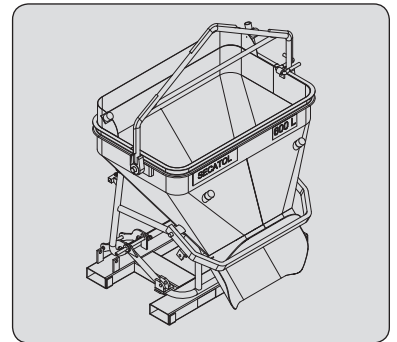
	BBG 500 S4	BBHG 500 S4
PART NUMBER	654411	751464
Rated capacity	500 l/1300 kg	500 l/1300 kg
Width	1100 mm	1100 mm
Weight	220 kg	235 kg



SPOUT BUCKET (ADAPTABLE ON FORKS)

	GL 300 S2	GL 400 S2
PART NUMBER	174371	174372
Rated capacity	300 l/725 kg	400 l/969 kg
Weight	150 kg	166 kg

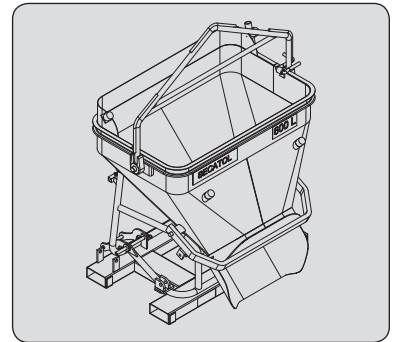
HYDRAULIC KIT TO OPEN THE SPOUT
PART NUMBER 653750



SPOUT BUCKET (ADAPTABLE ON FORKS)

	GL 600 S2	GL 800 S2
PART NUMBER	174373	174374
Rated capacity	600 l/1440 kg	800 l/1920 kg
Weight	290 kg	325 kg

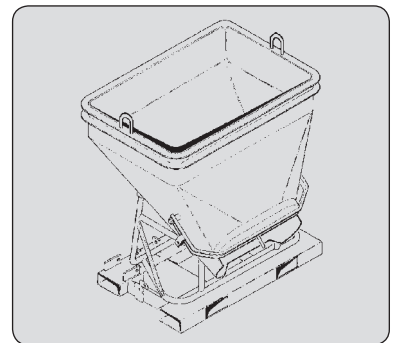
HYDRAULIC KIT TO OPEN THE SPOUT
PART NUMBER 653750



SPOUT BUCKET (ADAPTABLE ON FORKS)

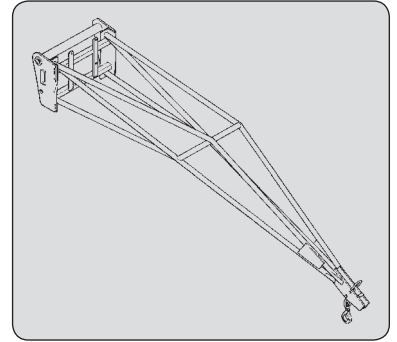
	GL 1000 S2	GL 1500 S2
PART NUMBER	174375	174376
Rated capacity	1000 l/2440 kg	1500 l/3591 kg
Weight	360 kg	409 kg

HYDRAULIC KIT TO OPEN THE SPOUT
PART NUMBER 653750



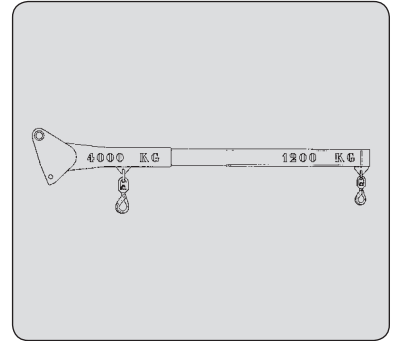
CRANE JIB

PART NUMBER	P 600 MT S3 653228
Rated capacity	600 kg
Weight	170 kg



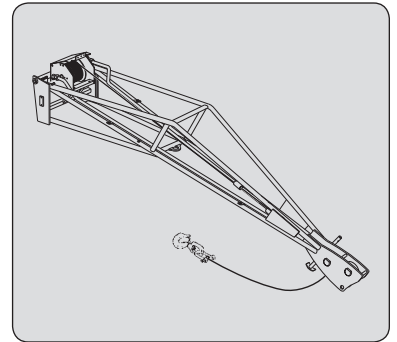
CRANE JIB

PART NUMBER	P 4000 MT S2 653226
Rated capacity	4000 kg/1200 kg
Weight	210 kg



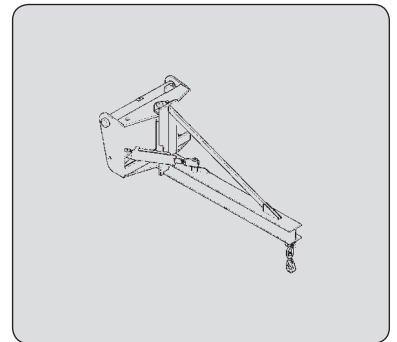
CRANE JIB WITH WINCH

PART NUMBER	PT 600 MT S6 708538
Rated capacity	600 kg
Weight	288 kg



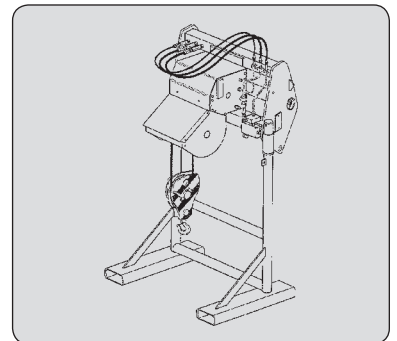
15°/15° MULTI-DIRECTIONAL CRANE JIB

PART NUMBER	PO 600 L2500 S2 751547	PO 1000 L1500 S2 751548	PO 2000 L1000 S2 751549
Rated capacity	600 kg	1000 kg	2000 kg
Weight	320 kg	275 kg	255 kg



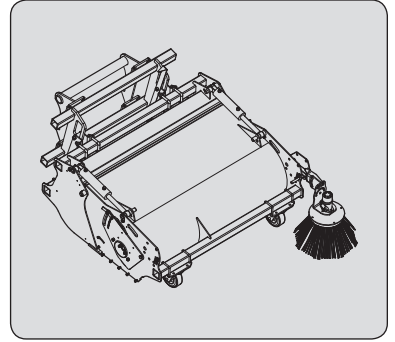
WINCH

PART NUMBER	H4T S4 708535
Rated capacity	4000 kg
Weight	420 kg



SWEEPER COLLECTOR WITH BRUSH

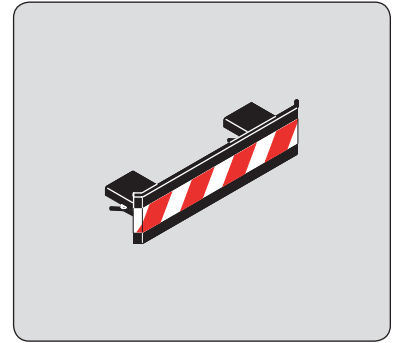
PART NUMBER	BRB 2200
Rated capacity	790315
Width	
Weight	



ATTACHMENT SHIELDS

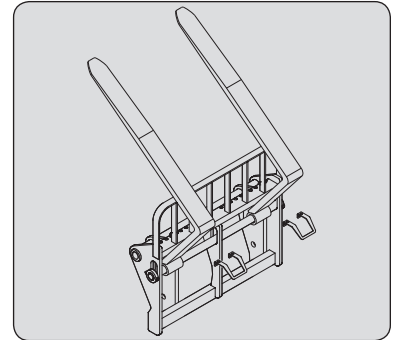
FORK PROTECTOR

PART NUMBER 227801



FORK BLOCK FOR FLOATING FORK CARRIAGE

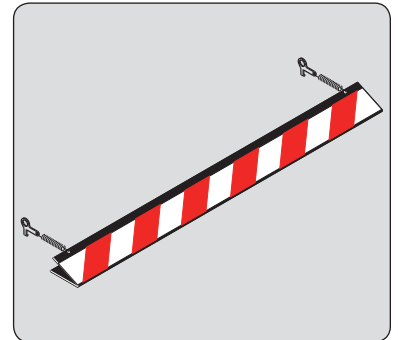
PART NUMBER 261210



BUCKET PROTECTOR

Always ensure that the width of the protector you choose is less than or equal to the width of the bucket.

	PART NUMBER	206734	206732	206730
Width		1375 mm	1500 mm	1650 mm
	PART NUMBER	235854	206728	206726
Width		1850 mm	1950 mm	2000 mm
	PART NUMBER	223771	223773	206724
Width		2050 mm	2100 mm	2150 mm
	PART NUMBER	206099	206722	223775
Width		2250 mm	2450 mm	2500 mm



MANURE FORK PROTECTOR

PART NUMBER 261210

