

Mustang Skid-Steer Loader 2076 Technical Specifications

ENGINE SPECS

| | | |
|------------------------|---------------|---------------------|
| Make | CUMMINS | |
| Model | B3.3-80 | |
| Displacement | 199 cu. in. | (3.3 L) |
| Number of Cylinders | 4 | |
| Rated Net Power Output | 80 hp | (60 kW) @ 2200 rpm |
| SAE-Rated Torque | 215 ft. lbs. | (291 Nm) @ 1600 rpm |
| Max. Axle Torque | 6414 ft. lbs. | (8696 Nm) |
| Fuel Tank | 19 gal. | (72 L) |

ELECTRICAL SYSTEM SPECS

| | | |
|--------------------|---------|--|
| Battery Power | 12 volt | |
| Cold Cranking Amps | 950 amp | |

HYDRAULIC SYSTEM SPECS

| | | |
|---------------------------------------|------------|-------------|
| Std. Auxiliary Hydraulics | 21.5 gpm | (81 L/min) |
| Optional Hi-Flow Auxiliary Hydraulics | 36 gpm | (136 L/min) |
| Working Pressure | 3000 psi | (207 bar) |
| Hydraulic Tank Refill/System Total | 16/18 gal. | (61/68 L) |

CAPACITIES / PERFORMANCE SPECS

| | | |
|---|--------------|-----------------|
| SAE Breakout Force - Lift | 6692 lbs. | (29.7 kN) |
| SAE Breakout Force - Tilt | 5820 lbs. | (25.8 kN) |
| SAE Rated Operating Load | 2200 lbs. | (998 kg) |
| SAE Rated Operating Load w/ Optional Weight Kit | 2500 lbs. | (1134 kg) |
| Tipping Load | 4400 lbs. | (1996 kg) |
| Lifting Arm | Radial | |
| Travel Speed | 0 - 7.7 mph | (0 - 12.4 km/h) |
| Optional Travel Speed | 0 - 11.2 mph | (0 - 18.0 km/h) |

UNDERCARRIAGE SPECS

| | | | |
|------------------|-----|------|-----------|
| Wheel Base | (F) | 43" | (1092 mm) |
| Ground Clearance | (I) | 7.9" | (201 mm) |

DIMENSIONS / WEIGHT SPECS

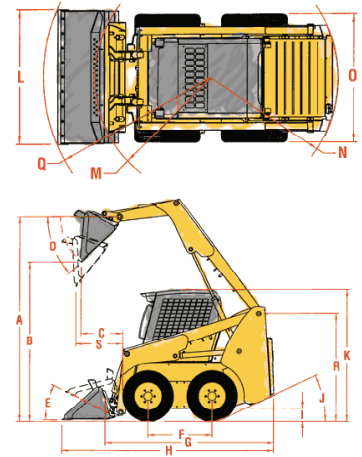
| | | | |
|---------------------------------------|-----|-----------|-----------|
| Operating Weight | | 7480 lbs. | (3393 kg) |
| Length - with Bucket | (H) | 129" | (3277 mm) |
| Specified Height | (R) | 69.5" | (1765 mm) |
| Overall Height - Top of ROPS | (K) | 81.1" | (2060 mm) |
| Clearance Circle - Front (w/o Bucket) | (M) | 50.6" | (1285 mm) |
| Clearance Circle - Front (w/ Bucket) | (Q) | 79.5" | (2019 mm) |
| Clearance Circle - Rear | (N) | 62.6" | (1590 mm) |
| Rollback Angle at Ground Level | (E) | 26° | |
| Departure Angle | (J) | 26° | |
| Reach at Specified Height | (S) | 40.5" | (1029 mm) |
| Width w/o Bucket (12 x 16.5 HD Tires) | (O) | 67.3" | (1709 mm) |
| Length w/o Bucket | (G) | 93" | (2362 mm) |
| Width Over Tires | | 67.3" | (1709 mm) |
| Height to Hinge Pin | (A) | 123" | (3124 mm) |

DUMPING CAPACITY SPECS

| | | | |
|---------------------------|-----|-----|-----------|
| Dump Height | (B) | 95" | (2413 mm) |
| Dump Reach | (C) | 28" | (711 mm) |
| Dump Angle at Full Height | (D) | 41° | |

BUCKET SPECS

| | | | |
|---------------------------|-----|--------------|-----------|
| Width | (L) | 67.5" | (1715 mm) |
| Self-Leveling Bucket | | Standard | |
| Reference Bucket Capacity | | 18.2 cu. ft. | (515 L) |



1880 Austin Road
Owatonna, MN 55060-0547
Phone: 507-451-7112
Fax: 507-451-8209
www.mustangmfg.com

Mustang reserves the right to make changes in specifications without notice or obligation

© 2005 Mustang Manufacturing Company, Inc.
All Rights Reserved.

Rev. 7/2005