

Model 150HAX

ARTICULATING BOOM LIFTS



Features

36 x 96 in. (0.91 x 2.44 m) Platform
Inward Swinging Gate
Hydraulic Platform Rotator
110V-AC Receptacle in Platform
5 Degree Tilt Indicator Light
Intercom System
12V-DC Auxiliary Power
Proportional Controls
Lifting/Tie Down Lugs
Hourmeter
All Motion Alarm
Platform Capacity Indicator Gauge
Moveable Ground Control Box
Manual Descent

Accessories & Options

Hydraulic Power Tool Circuit
5 Degree Tilt Alarm
Soft Bounce System
Light Package¹
Hostile Environment Kit²
Flashing Amber Beacon

1. Includes head and tail lights, and platform worklights.

2. Includes console cover, boom wiper and cylinder bellows.

Note: Some options may increase lead time, and some option combinations may not be available.



The world's largest self-propelled articulating boom lift

- The highest platform height—150 ft (45.72 m).
- The longest outreach—79 ft 3 in. (24.16 m).
- The most up and over height—80 ft (24.38 m).

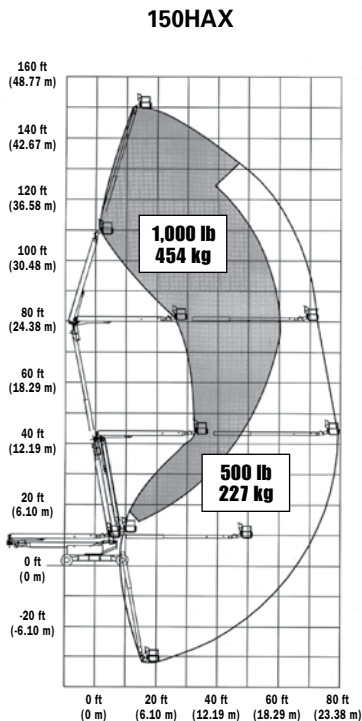
Increased maneuverability

- Extendable axles provide stability without excessive counterweight to enable travel from the fully elevated position.
- Four wheel steer/crab steer provides a tight turning radius and more precise positioning.
- 165 degree power rotator rotates basket to the left or right for improved access to work areas.

Model 150HAX

ARTICULATING BOOM LIFTS

Specifications



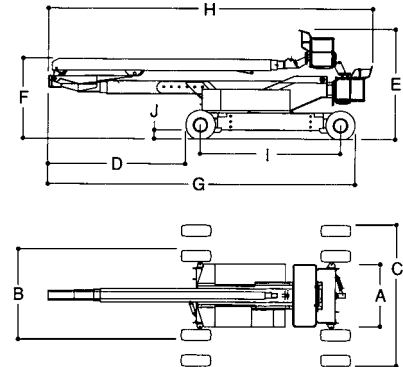
Specifications

Reach	
Platform Height	150 ft (45.72 m)
Horizontal Outreach	79 ft 3 in. (24.16 m)
Up and Over Height	79 ft 11 in. (24.36 m)
Below Ground Reach	30 ft 4 in. (9.25 m)
Swing	360° Continuous
Platform Capacity—Restricted	1,000 lb (454 kg)
Platform Capacity—Unrestricted	500 lb (227 kg)
Platform Rotator	165° Hydraulic Jib
(Range of Articulation)	6 ft (1.83 m)
	132 degrees (+71, -61)

Dimensions	
A. Platform Size	36 x 96 in. (0.91 x 2.44 m)
B. Overall Width—Axles Retracted	11 ft 6 in. (3.51 m)
C. Overall Width—Axles Extended	18 ft (5.49 m)
D. Tailswing (Stowed)	17 ft 7 in. (5.36 m)
Tailswing (Fully Elevated)	Zero
E. Stowed Height	14 ft (4.27 m)
F. Stowed Height (Platform Tilted)	10 ft 6 in. (3.2 m)
G. Stowed Length	39 ft 5 in. (12.01 m)
H. Stowed Length (Platform Tilted)	41 ft 7 in. (12.67 m)
I. Wheelbase	18 ft (5.49 m)
J. Ground Clearance	11 in. (28 cm)
Weight*	58,100 lb (26,354 kg)
Max. Ground Bearing Pressure**	120 psi (8.4 kg/cm ²)

Chassis	
Drive Speed	3 mph (4.8 kmph)
Gradeability	31%
Turning Radius (Inside)	
Axles Retracted	14 ft 10 in. (4.52 m)
Axles Extended	14 ft 7 in. (4.45 m)
Turning Radius (Outside)	
Axles Retracted	27 ft (8.23 m)
Axles Extended	30 ft 1 in. (9.17 m)
Tire Type/Size	445/65R22.5 Foam-Filled

Power Source	
Diesel Engine	Cummins 3.3L 80 hp (60 kW)
Fuel Tank Capacity	68 gal. (257.41 L)
Hydraulic Reservoir	124 gal. (469.39 L)
Main Pump	3 Section Gear
Brakes	Spring Applied Hydraulic Release



The JLG "1 & 5" Warranty

JLG Industries, Inc. backs its products with its exclusive "1 & 5" Warranty. We provide coverage on all products for one (1) full year, and cover all specified major structural components for five (5) years. Due to continuous product improvements, we reserve the right to make specification and/or equipment changes without prior notification. This machine meets or exceeds applicable OSHA Regulations in 29 CFR 1910.67, 29 CFR 1926.453, ANSI A92.6-2006, and CSA Standard CAN3-B354.2-M82, as originally manufactured for intended applications.



JLG Industries, Inc.
 1 JLG Drive
 McConnellsburg, PA 17233-9533
 Telephone 717-485-5161
 Toll-free in US 877-JLG-LIFT
 Fax 717-485-6417
www.jlg.com
An Oshkosh Corporation Company

Form No.: SS-150HAX-0309
 Part No.: 3131106
 R071204
 Printed in USA